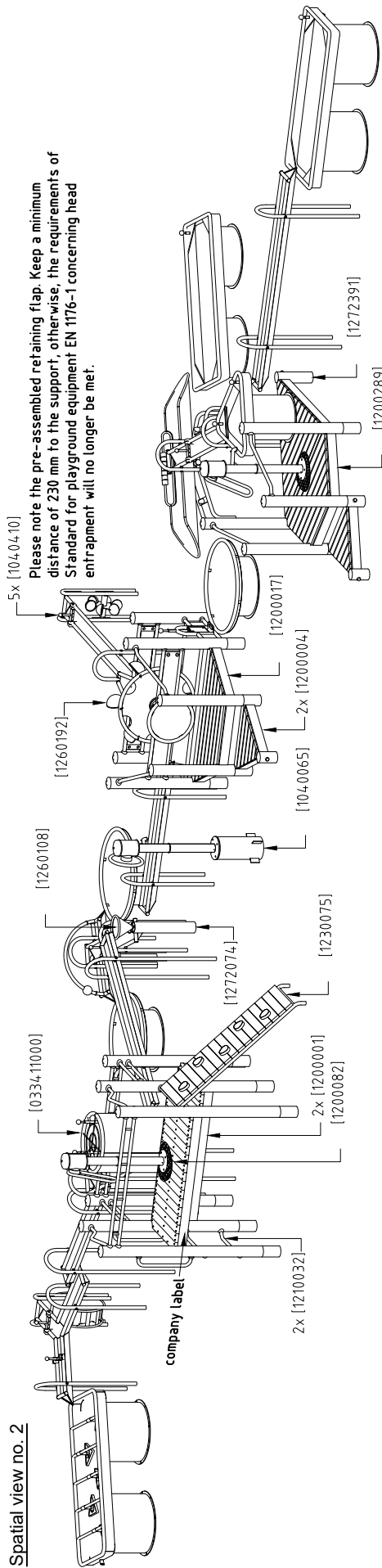


View no. 1

2x [104.0390]



Please also consider separate documentation for water pumps or gargoyles and for (optionally) additional valve combination(s).

## Installation instructions

1. Assign a device location considering the space requirement (impact area).
2. Excavate soil for foundations, according to drawing.  
Please note: To achieve maximum stability and a safe installation, a moderate level of soil solubility is required.
3. Pour in a drain layer of gravel of approx. 10 cm thickness between the bottom of the posts and plain base of foundation.
4. Insert reinforcing steel into the corresponding holes of the posts.
5. Place posts type A according to the corresponding number (see foundation layout) into the respective foundation hole. Play level mark (=aluminium blind rivet) complies with the installation depth. Align every post by means of the play level mark facing into the same direction (see detail or foundation layout).

### 6. For installation of the pre-assembled components and/or single parts, the screws slightly have to be lubricated with installation paste!

Screw together platforms and posts by using the middle hole in the mounting brackets.

**Tighten all screws after having aligned all components.**

Screw connections see details in attached list.

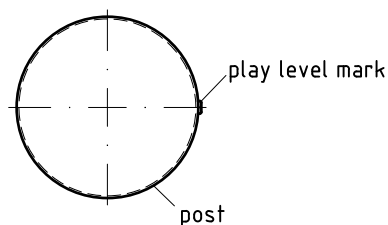
We recommend not to insert the protection caps enclosed before first maintenance as they are only suitable for one-time use (see description below).

7. Grout foundations with compressed concrete C20/25, chamfer and round off the edges, cover the foundations with a surface which meets the requirement for impact attenuation so that its critical fall height is equal to or greater than the maximum free height of fall of the equipment (acc. to EN 1176-1).
8. Release for play after concrete foundations have set.
9. According to maintenance instructions, check all screw connections after 4-5 weeks and retighten, if necessary. Afterwards cover the screw heads with protective screw caps.

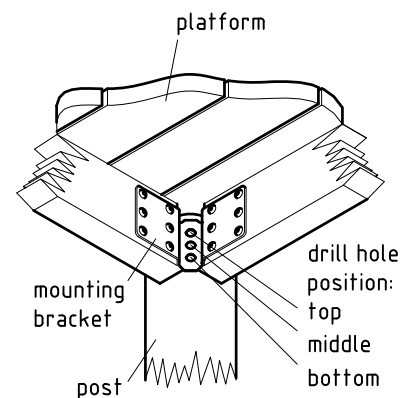
Please ensure that all special tools supplied (e.g. Allen key for secured Allen screws etc.) and all specific documents which are or may be useful for safety management acc. to EN 1176-7 (e.g. invoice, delivery note, order acknowledgement, installation instructions, maintenance instructions) are forwarded to the persons responsible.

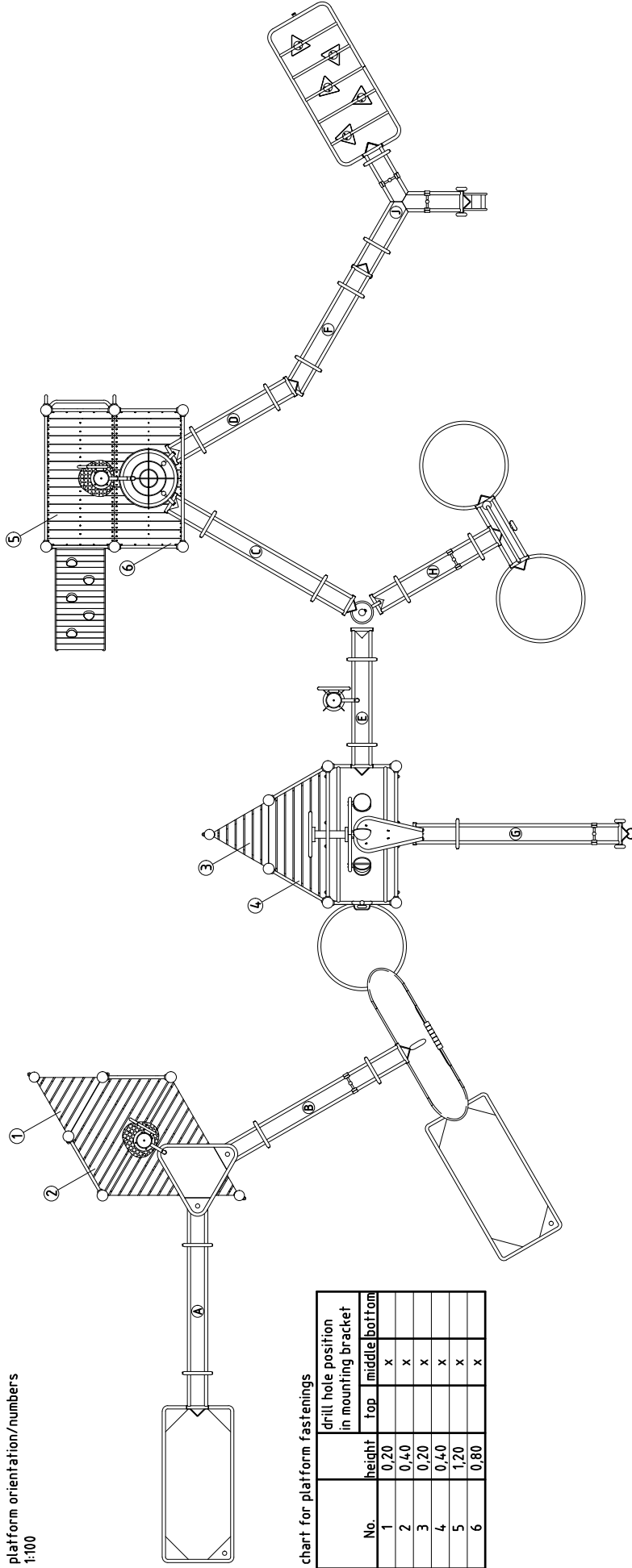
**Necessarily insert all attachment parts before tightening the screws. It is NOT possible to insert them afterwards.**

detail of play level mark  
1:5

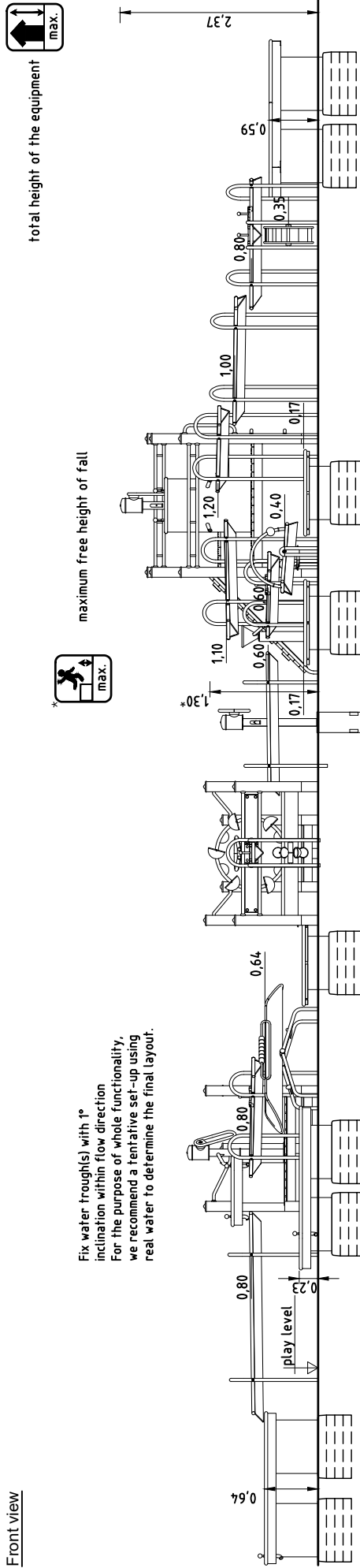


platform fastening  
1:10



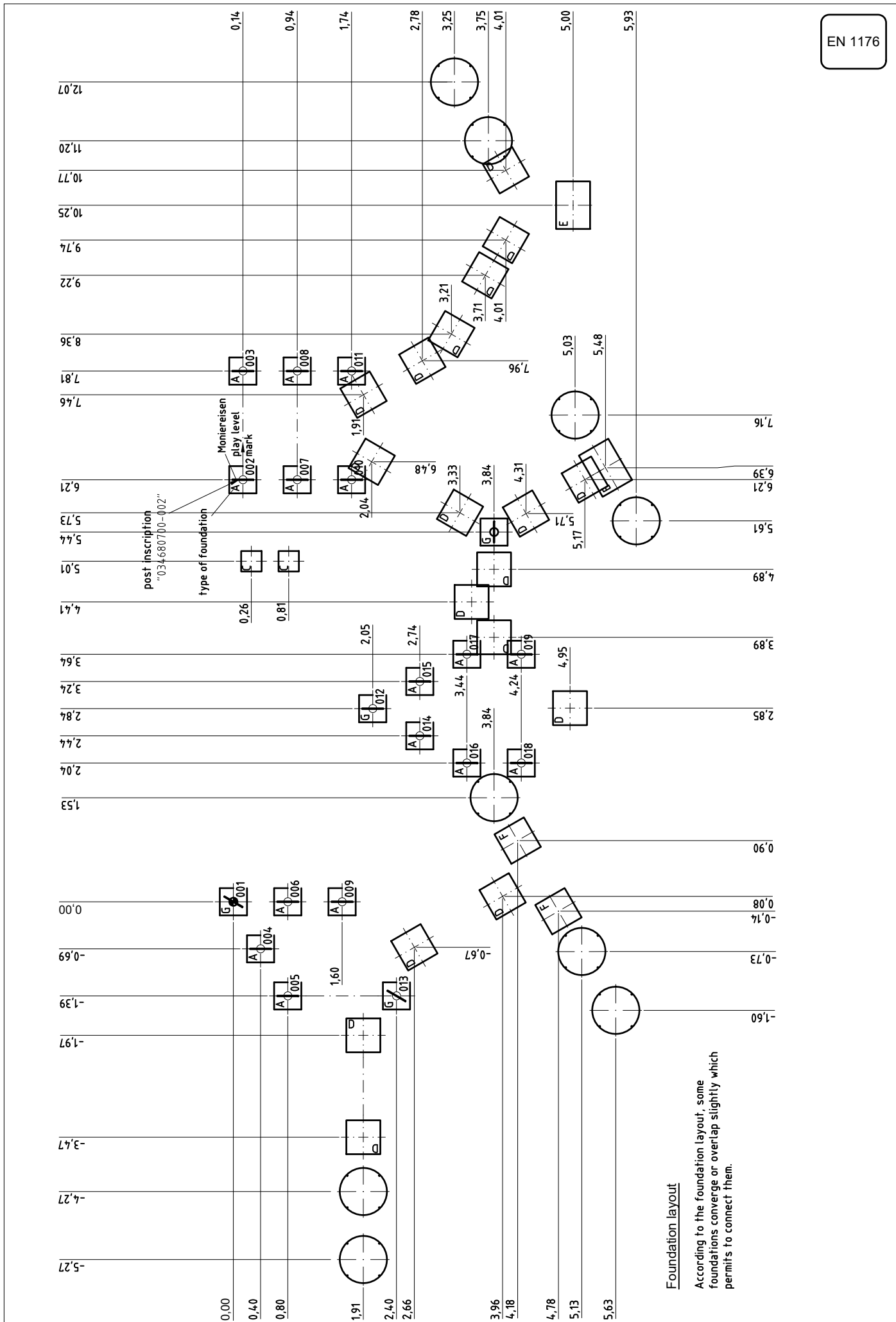


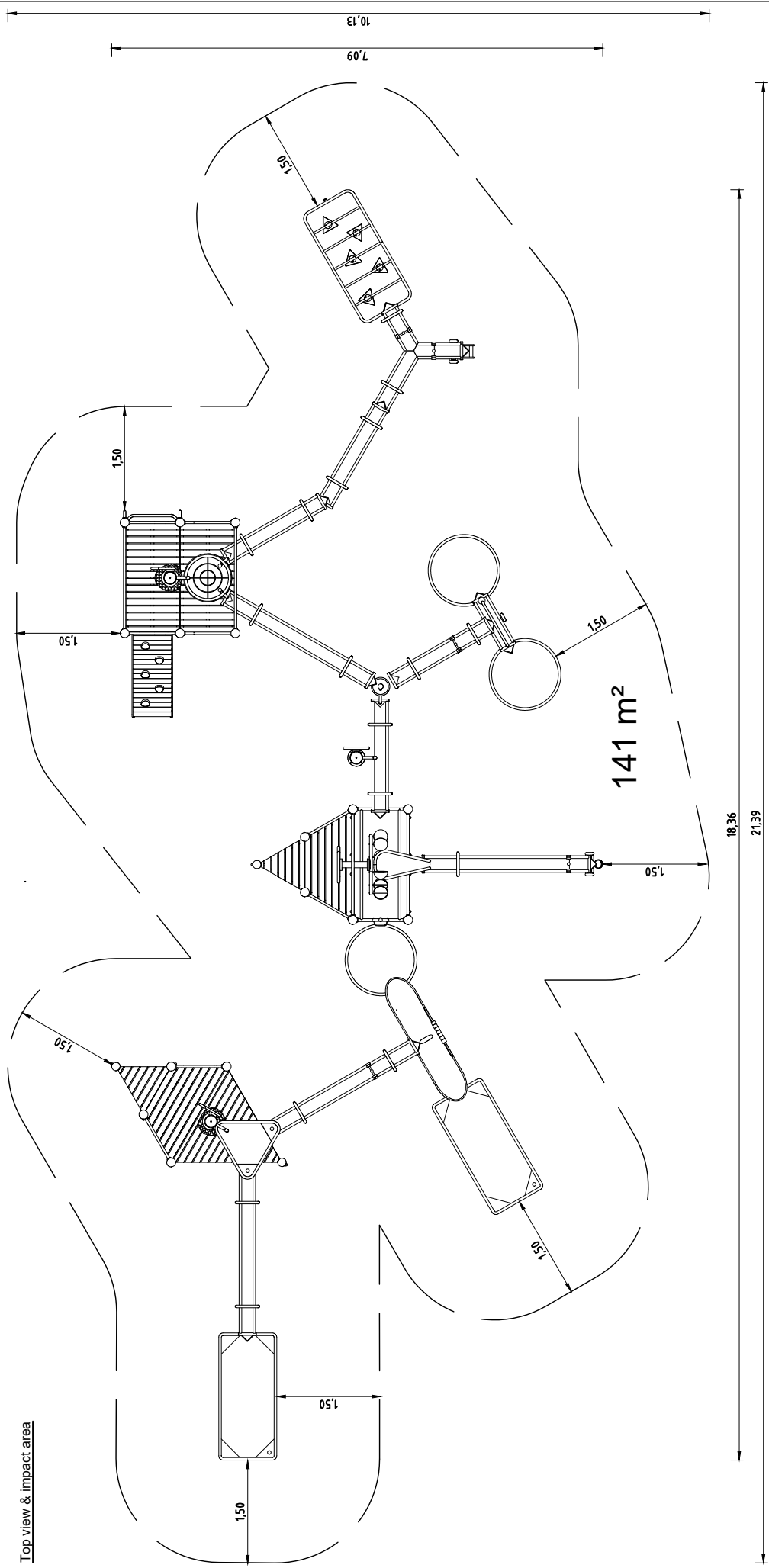
Front view



Fix water trough(s) with 1° inclination within flow direction. For the purpose of whole functionality, we recommend a tentative set-up using real water to determine the final layout.

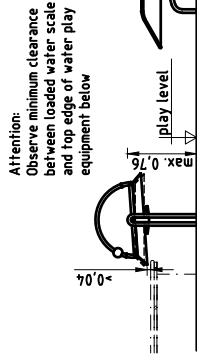
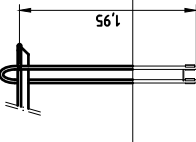
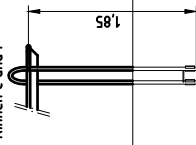
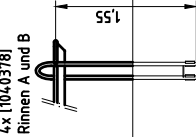
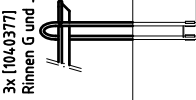
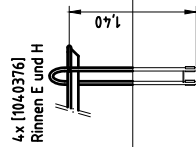
For a stable installation of the waterplay elements, additional (e.g. circular or ring shaped) concrete foundations are necessary. Their dimensions (especially the depth) depend on the soil conditions on site. The waterplay elements can be connected to the foundations either by using concrete dowels or by the stone bolts provided.





Rimnenkennzeichnung  
siehe Draufsicht Seite 8

length of the different types of steel supports  
1:50



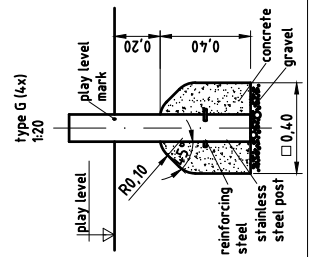
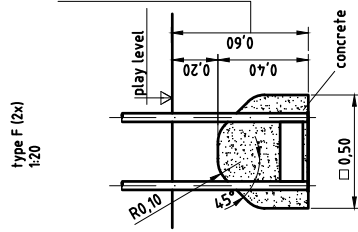
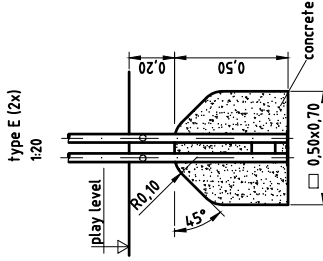
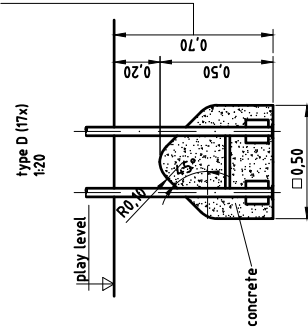
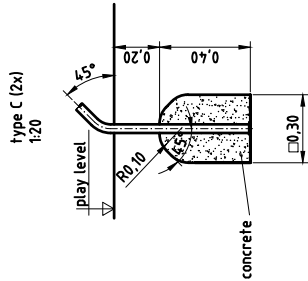
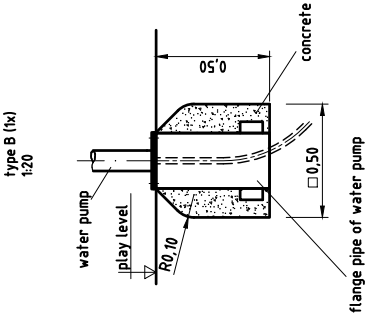
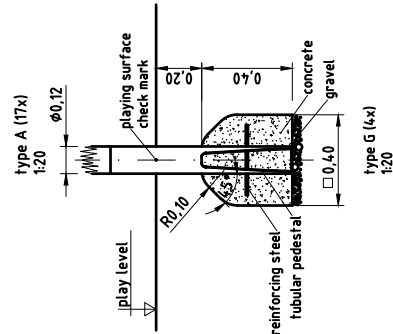
foundations (on site)  
20x 0.40 x 0.40 x 0.40 m  
18x 0.50 x 0.50 x 0.50 m  
2x 0.50 x 0.50 x 0.70 m  
2x 0.50 x 0.50 x 0.40 m  
2x 0.30 x 0.30 x 0.40 m

(approximate) concrete needs  
4 m<sup>3</sup>

Foundation details

Minimum installation depth.  
Depending on the water scale  
height required, the foundation  
depth can exceed 0,60 m.

Minimum installation depth.  
Depending on the trough  
depth required, the  
foundation depth can  
exceed 0,70 m.





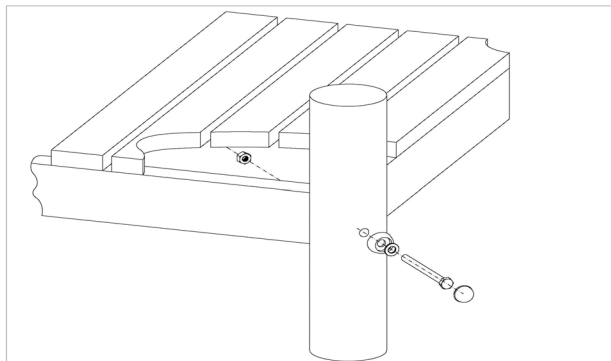
Item: **034680700**  
Water play structure  
Location:

Order:

1294540

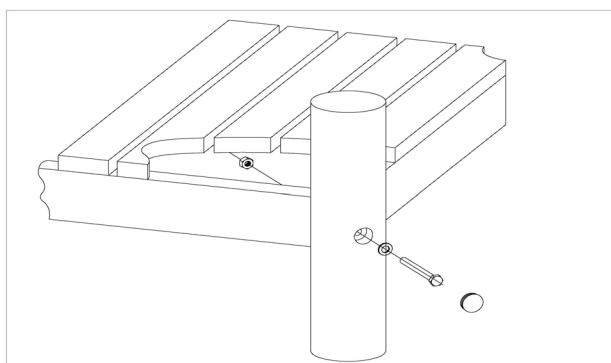
Building Project:

**4 x SFES1200014 Platform at stainless steel post/tubular support (Hexagon screw with red cap/nut platform-site)**



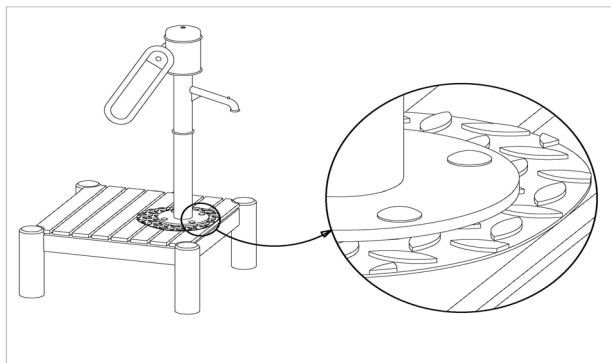
per SC	Total	K&K-Item	Marking
1 x	4 x	3430025	Washer Ø 13 DIN125 A2
1 x	4 x	3300055	Red protective screw cap - upper part, domed M12
1 x	4 x	3300054	Red protective screw cap - lower part, domed M12
1 x	4 x	3430021	Lock nut M12 DIN985 A2
1 x	4 x	3400363	Hexagon head cap screw M12 x 150 DIN931 A2

**19 x SFRS1200001 Platform at Robinia post, nut is platform-sided**



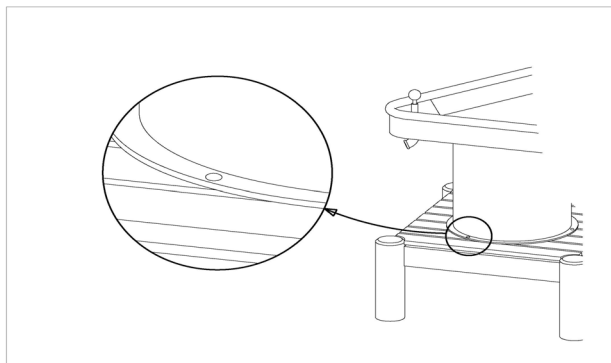
per SC	Total	K&K-Item	Marking
1 x	19 x	3430021	Lock nut M12 DIN985 A2
1 x	19 x	3430129	Washer Ø 14 DIN1440 A2
1 x	19 x	3300016	Grey domed plastic cover cap SL 36 G
1 x	19 x	3400700	Hexagon head screw M12 x 120 DIN931 A2 with screw security coating/FGB red

**2 x SFXS1260001 Water pump fastening to platform**



per SC	Total	K&K-Item	Marking
4 x	8 x	3430051	Hexagon cap nut M12 DIN 986 A2
4 x	8 x	3430025	Washer Ø 13 DIN125 A2
4 x	8 x	3400249	Mushroom head screw M12 x 60 DIN603 A2

**8 x SFXS1040012 Tighten cylinder base plate on platform**



per SC	Total	K&K-Item	Marking
1 x	8 x	3430025	Washer Ø 13 DIN125 A2
1 x	8 x	3430051	Hexagon cap nut M12 DIN 986 A2
1 x	8 x	3400384	Hexagon screw M12 x 50 DIN931 A2

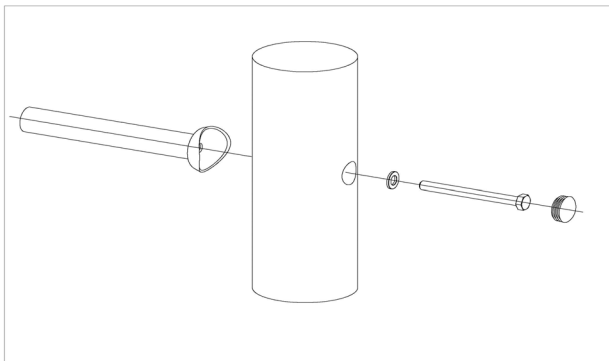
Item: **034680700**  
 Water play structure  
 Location:

Order:

1294540

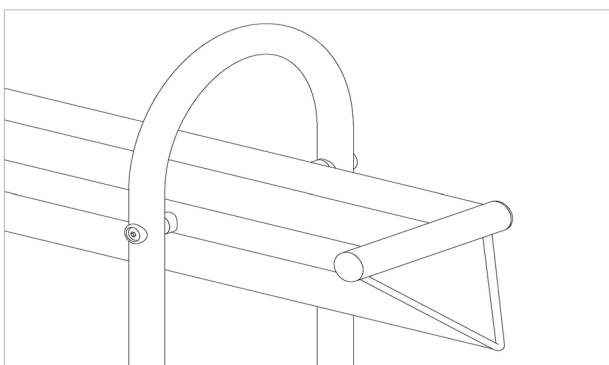
Building Project:

**54 x SFRS1230004 Standard bolting of climbing poles, ramps etc. to Robinia posts with countersunk holes**



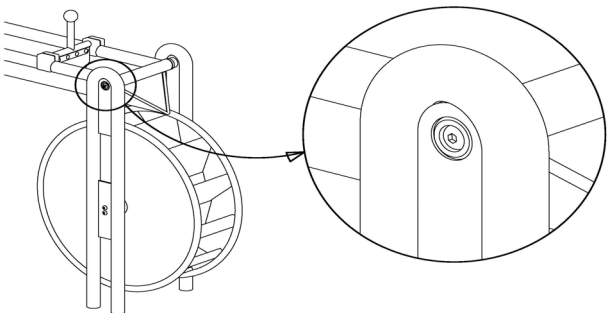
per SC	Total	K&K-Item	Marking
1 x	54 x	3430129	Washer Ø 14 DIN1440 A2
1 x	54 x	3300016	Grey domed plastic cover cap SL 36 G
1 x	54 x	3400701	Hexagon head cap screw M12 x 130 DIN931 A2 with screw retention coating/FGB red

**38 x SFXS1040006 Water trough (S) at support**



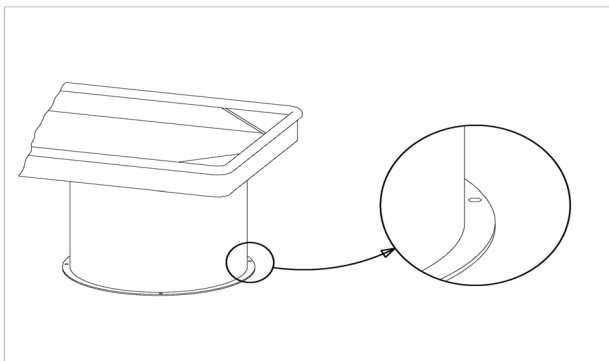
per SC	Total	K&K-Item	Marking
1 x	38 x	3400286	Dome head security screw-M10x50-Resistorx T45 A

**2 x SFXS1040013 Water trough (S) to support of water wheel**



per SC	Total	K&K-Item	Marking
1 x	2 x	3400195	Dome head security screw-M10x30-Resistorx T45 A

**36 x SFXS1040011 Cylinder base plate fastening to foundation**



per SC	Total	K&K-Item	Marking
1 x	36 x	1040272	Fastening set water play equipment M10x160 A2 stone bolt/washer/nuts

Item: **034680700**  
 Water play structure  
 Location:

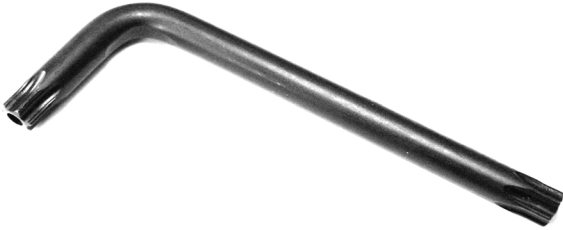
Order:

1294540

Building Project:

**1 x SFWZ0000002 Security TORX wrench TR45**

per SC	Total	K&K-Item	Marking
1 x	1 x	3490033	Allen key security TORX TR45



**1 x SFRS1270002 Reinforcing steel for stainless steel posts**

per SC	Total	K&K-Item	Marking
1 x	1 x	2130000	Reinforcing steel Ø 10 x 310 DIN 488



**19 x SFES1270007 Reinforcing steel for tubular pedestals**

per SC	Total	K&K-Item	Marking
1 x	19 x	2130000	Reinforcing steel Ø 10 x 310 DIN 488

