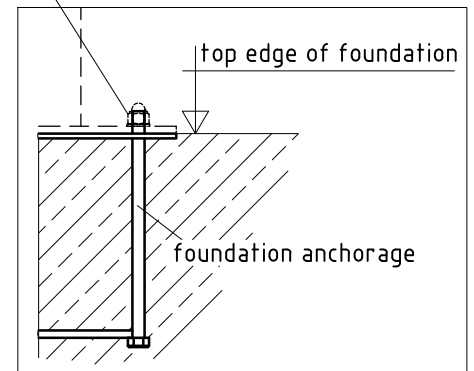


1:20

4x screw connection:

prevailing torque type cap nut DIN 986-M16, zinc-coated;
washer DIN 125- ϕ 17, zinc-coated



**detail of foundation anchorage
1:10**

1. Assign a location for the equipment considering the impact area (falling space).
2. Excavate soil for foundation, according to drawing.
Please note: To achieve maximum stability and a safe installation, a moderate level of soil solubility is indispensable.
3. Grout foundation with compressed concrete C20/25, insert foundation anchorage into concrete according to drawing and align it with a spirit level.
Install foundation anchorage **on a level with top edge of foundation** (see detail).
4. After concrete foundation has set, fix equipment to foundation anchorage as follows:
Flange of bearing - washer - prevailing torque type cap nut M16.
5. Due to forced movement, it is essential to cover the impact area with a surface which meets the requirements for impact attenuation so that the critical fall height of the surfacing is equal to or greater than the free height of fall (acc. to EN 1176-1).
6. According to maintenance instructions, check all screw connections after 4-5 weeks and retighten, if necessary.

Please ensure that all special tools (e.g. Allen key for secured Allen screws etc.) and all specific documents which are or may be useful for safety management acc. to EN 1176-7 (e.g. invoice, delivery note, order acknowledgement, installation instructions, maintenance instructions) are forwarded to the persons responsible .