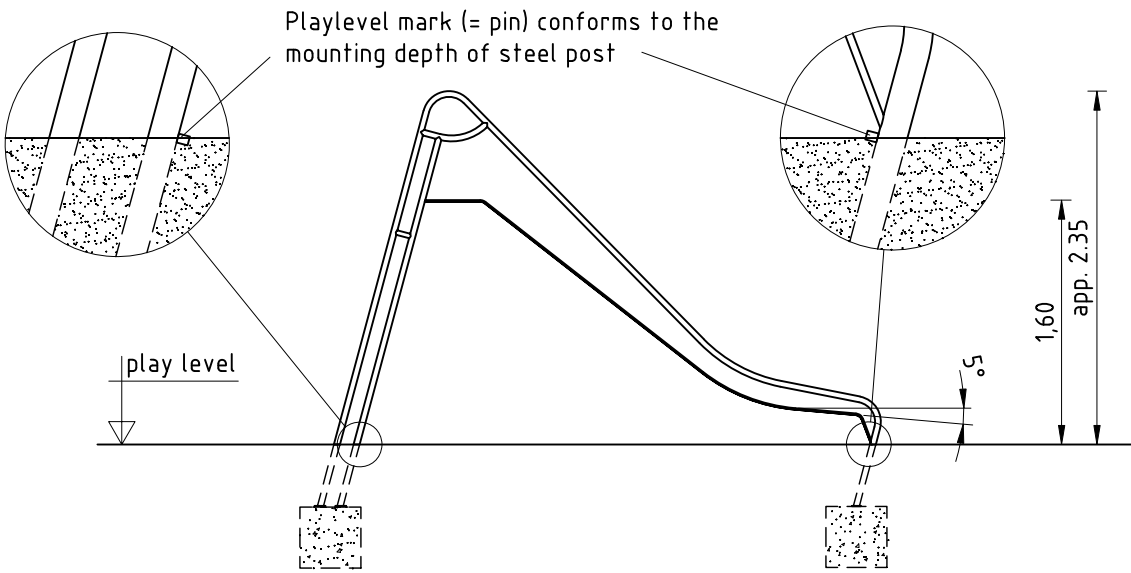


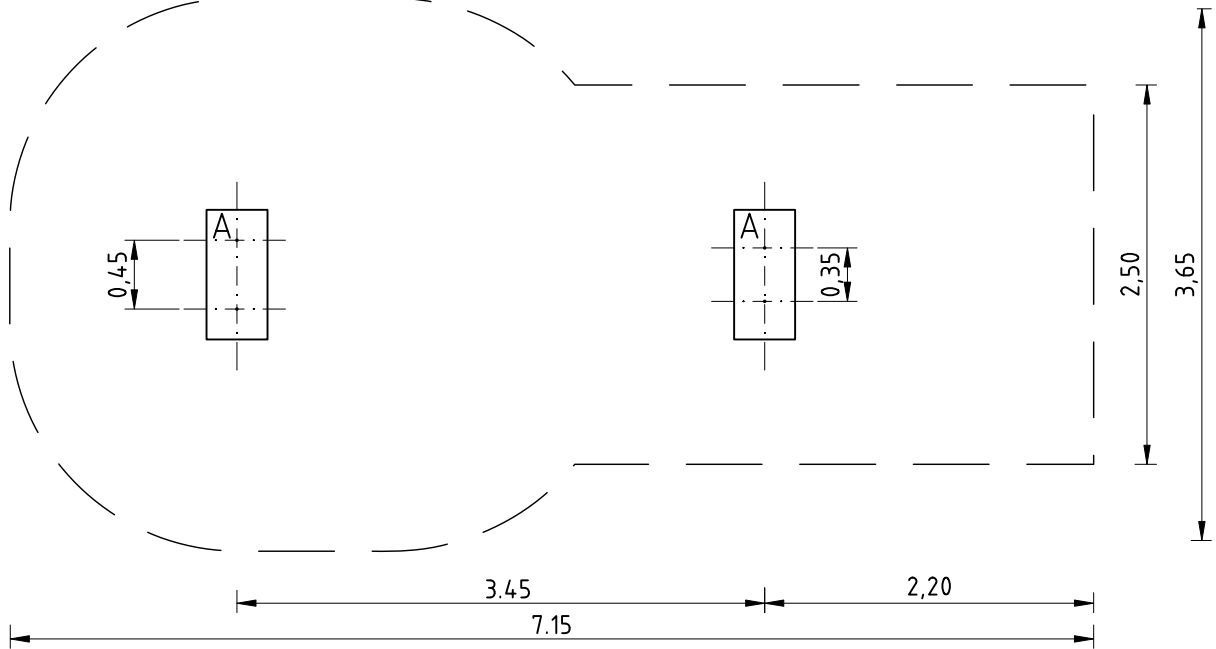
1. Assign location of equipment considering the space (falling space) requirement.  
Recommended direction of slide: north-east or in half-shade of trees.
2. Excavate soil for foundations, according to drawing.  
Please note: To achieve a maximum of stability and a safe installation a normal level of soil solubility is required.
3. Grout in foundations with compressed concrete C20/25 (=PG75). Take care that all foundations are at same level in order to ensure that the exit of slide chute is installed with an inclination of 5° in sliding direction.
4. **Attention: For installation of the components the screws have to be lubricated thinly with installation paste!**  
Connect ladder and chute of slide with safety screws.
5. **After concrete foundations have set:**  
Centre ladder and chute of slide in the middle of foundations.
6. **Please note: Install expansion anchors according to special installation instruction attached to anchor packing.**  
Drill holes Ø 14 mm for anchors, use flange of item as drilling jig.  
Drill-hole depth 125 mm.
7. Clean the hole of drilling dust and place the mortar cartridge perpendicularly.
8. Set anchor rod with electric power tool (drilling hammer, setting adapter attached)
9. After hardening the mortar fix item to foundation according to installation instructions with a torque moment of 40 Nm .( +10 to + 20°C - 20 min curing time)
10. Cover with a surface which shall meet the requirements for impact attenuation so that the critical height of the surfacing according to EN 1177 shall be equal to or greater.
11. Release for play after complete installation and after placing playground surfacing according EN 1177.
12. Check all screw connections according to maintenance instructions after 4-5 weeks and screw down again if necessary.

Please take care that all special tools (e.g. special Allen key for secured Allen screws etc.) and all specific documents which are or may be useful for safety management acc. to EN 1176-7 (e.g. invoice, delivery note, order acknowledgement, installation instructions, maintenance instructions) are forwarded to the responsible persons.



Impact area (approx. 20,5 m<sup>2</sup>)  
Area which has to be covered  
with impact absorbing  
surfacing.

Free height of fall = 1,60 m



Type A  
M 1:20

