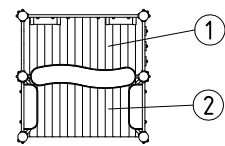


chart platform fastening

platform-no.	fastening hole		
	top	middle	bottom
1		x	
2	x		

platform orientation/numbers 1:100

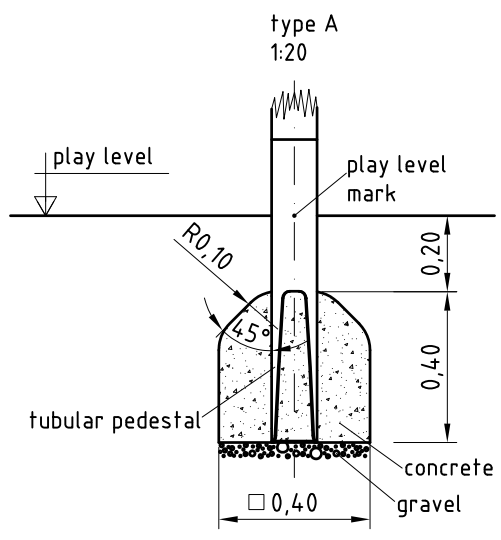
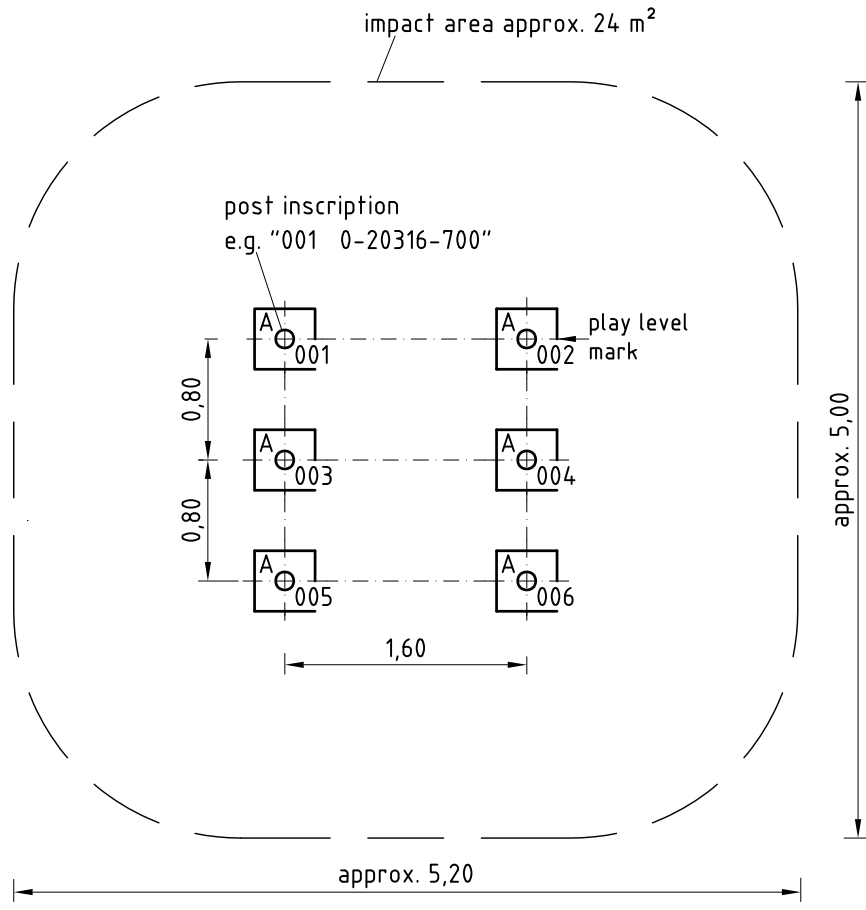
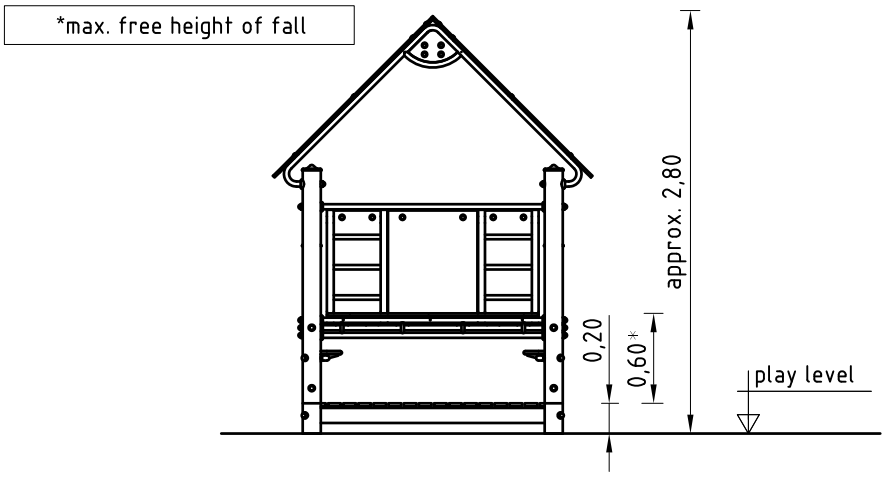


1. Assign a device location considering the space requirements (impact area).
2. Excavate soil for foundations, according to drawing.
Please note: To achieve maximum stability and a safe installation, a moderate level of soil solubility is required.
3. Pour in a drain layer of gravel of approx. 10 cm thickness between the bottom of the tubular pedestals and plain base of foundation.
4. Place posts type A (see foundation layout) according to the corresponding number into the respective foundation hole. Play level mark (=aluminium blind rivet) complies with the installation depth. Align every post by means of the play level mark facing into the same direction (see detail or foundation layout).
5. **For installation of the pre-assembled components and/or single parts, the screws slightly have to be lubricated with installation paste!**
Screw together platforms and posts by using the respective hole in the mounting brackets (according to chart).
Tighten all screws after having aligned all components.
Screw connections see details in attached list.
We recommend not to insert the protection caps enclosed before first maintenance as they are only suitable for one-time use (see description in item No. 8).
6. Grout foundations with compressed concrete C20/25, chamfer and round off the edges, cover the foundations with a surface which meets the requirements for impact attenuation so that the critical fall height of the surfacing is equal to, or greater than, the free height of fall of the equipment (acc. to EN 1176-1).
7. Release for play after concrete foundations have set.
8. According to maintenance instructions, check all screw connections after 4-5 weeks and retighten, if necessary. Afterwards cover the screw heads with red protection caps by placing them onto the base part. Strongly pound them (e.g. by using a plastic mallet) until they audibly snap into the base part groove.

Please ensure that all special tools supplied (e.g. Allen key for secured Allen screws etc.) and all specific documents which are or may be useful for safety management acc. to EN 1176-7 (e.g. invoice, delivery note, order acknowledgement, installation instructions, maintenance instructions) are forwarded to the persons responsible.

Necessarily insert all attachment parts before tightening the screws.

It is NOT possible to insert them afterwards.



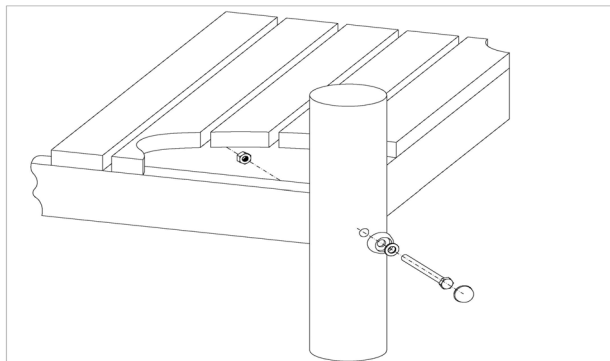
Item: **020316700**
Shopping centre
Location:

Order:

1298789

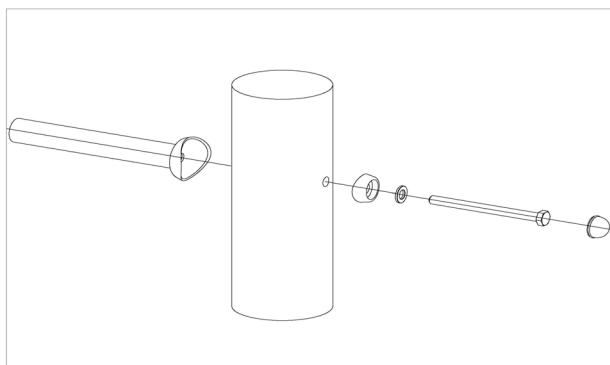
Building Project:

8 x SFES1200014 Platform at stainless steel post (hexagon screw with protective cap/nut platform-sided)



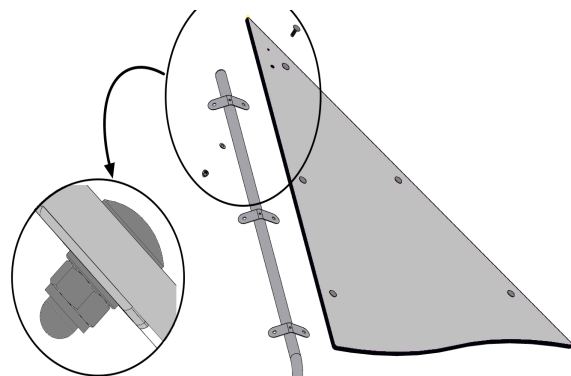
per SC	Total	K&K-Item	Marking
1 x	8 x	3430025	Washer Ø 13 DIN125 A2
1 x	8 x	3300055	protective screw cap - upper part, M12
1 x	8 x	3300054	protective screw cap - lower part, domed M12
1 x	8 x	3430021	Lock nut M12 DIN985 A2
1 x	8 x	3400363	Hexagon head cap screw M12 x 150 DIN931 A2

30 x SFRS1210001 Standard bolting of components to Robinia posts (non-countersunk drilling)



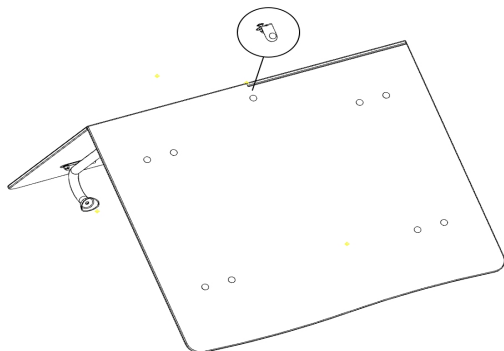
per SC	Total	K&K-Item	Marking
1 x	30 x	3300055	protective screw cap - upper part, M12
1 x	30 x	3300054	protective screw cap - lower part, domed M12
1 x	30 x	3430025	Washer Ø 13 DIN125 A2
1 x	30 x	3400702	Hexagon head cap screw M12 x 160 DIN931 A2 with screw security coating FGB red

24 x SFAS1240029 HPL panel fastening to roof pipe support



per SC	Total	K&K-Item	Marking
1 x	24 x	3430011	hexagon cap nut M10 DIN986 A2
1 x	24 x	3430014	Washer Ø 10,5 DIN125 form B A2
1 x	24 x	3400138	mushroom head screw square neck M10x30 DIN 60

1 x SFAS1240031 HPL panel at mounting brackets 90° (inner face)



per SC	Total	K&K-Item	Marking
1 x	1 x	6240001	Corner plate for gable roof 90°
2 x	2 x	3430014	Washer Ø 10,5 DIN125 form B A2
2 x	2 x	3430011	hexagon cap nut M10 DIN986 A2
2 x	2 x	3400138	mushroom head screw square neck M10x30 DIN 60

Item: **020316700**
Shopping centre

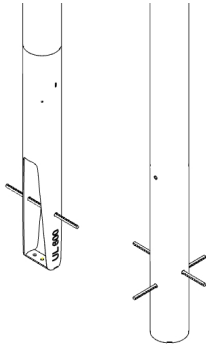
Order:

1298789

Location:

Building Project:

6 x SFAS1270001 Reinforcing steel bar for posts



per SC	Total	K&K-Item	Marking
1 x	6 x	2130000	Reinforcing steel Ø 10 x 310 DIN 488

1 x SFWZ0000012 Lubricating metal (30 g box) incl. brush



per SC	Total	K&K-Item	Marking
1 x	1 x	5300039	Lubricating metal box 30g
1 x	1 x	5200026	Brush for lubricating metal