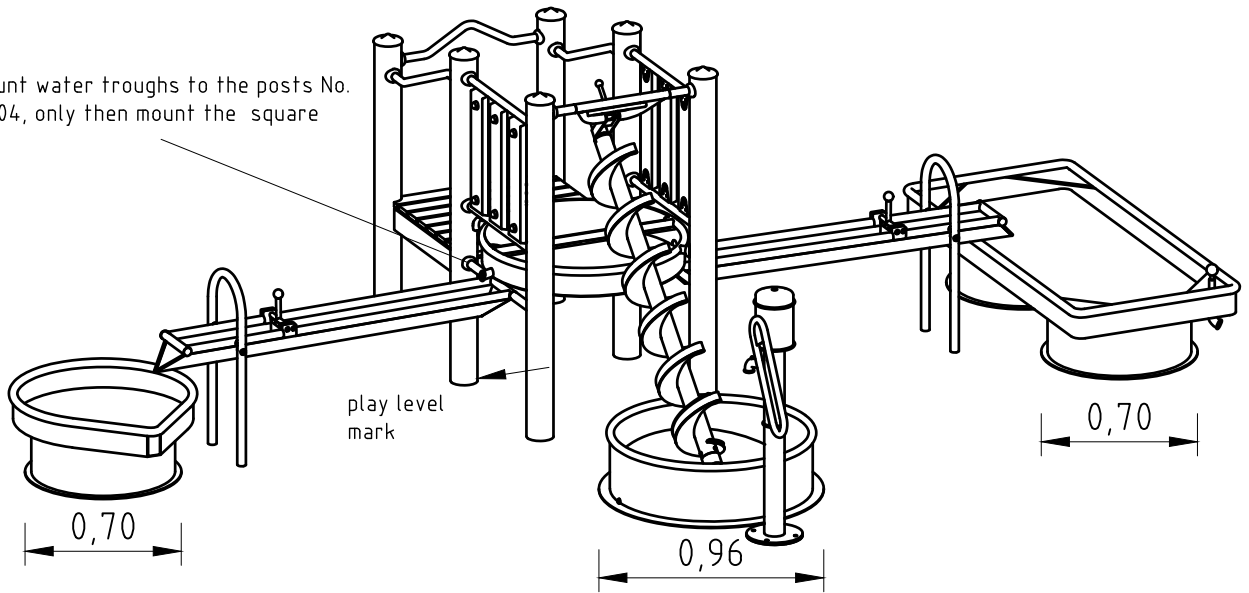


First mount water troughs to the posts No. 003 an 004, only then mount the square platform



Dimensions of ring-shaped flanges beneath cylindrical stands

For water pump operation and connection, see separate installation (with optional valve combination, hygienic flush on choice)

1. Assign a device location considering the space requirements (impact area).
2. Excavate soil for foundations, according to drawing.
Please note: To achieve maximum stability and safe installation, a moderate level of soil solubility is required.
3. Pour in a drain layer of gravel of approx. 10 cm thickness between the bottom of the posts and plain base of foundation.
4. Insert reinforcing steel into the corresponding holes of the posts.
5. Place posts type A (see foundation layout) according to the corresponding number into the respective foundation hole. Play level mark (=aluminium blind rivet) complies with the installation depth. Align every post by means of the play level mark facing into the same direction (see detail or foundation layout).

6. For installation of the pre-assembled components and/or single parts, the screws slightly have to be lubricated with installation paste!

Screw together platform and posts by using the center hole in the mounting brackets.

Tighten all screws after having aligned all components.

Screw connections see details in attached list.

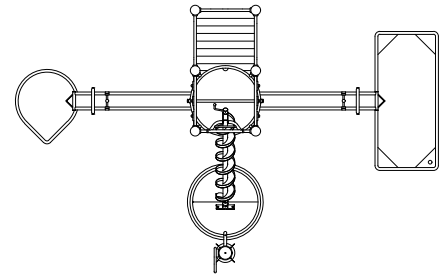
Grout foundations with compressed concrete C20/25, chamfer and round off the edges, cover the foundations with a surface which meets the requirements for impact attenuation so that the critical fall height of the surfacing is equal to, or greater than, the free height of fall of the equipment (acc. to EN 1176-1).

7. Release for play after concrete foundations have set.
8. Check all screw connections acc. to maintenance instructions after 4-5 weeks and retighten, if necessary.

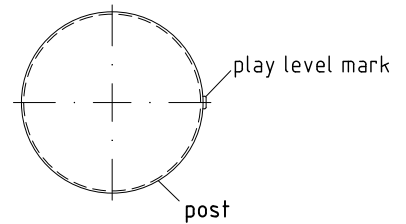
Please ensure that all special tools supplied (e.g. Allen key for secured Allen screws etc.) and all specific documents which are or may be useful for safety management acc. to EN 1176-7 (e.g. invoice, delivery note, order acknowledgement, installation instructions, maintenance instructions) are forwarded to the persons responsible.

**Necessarily insert all attachment parts before tightening the screws.
It is NOT possible to insert them afterwards.**

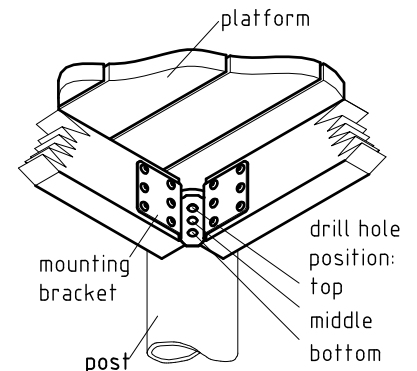
top view
1:100

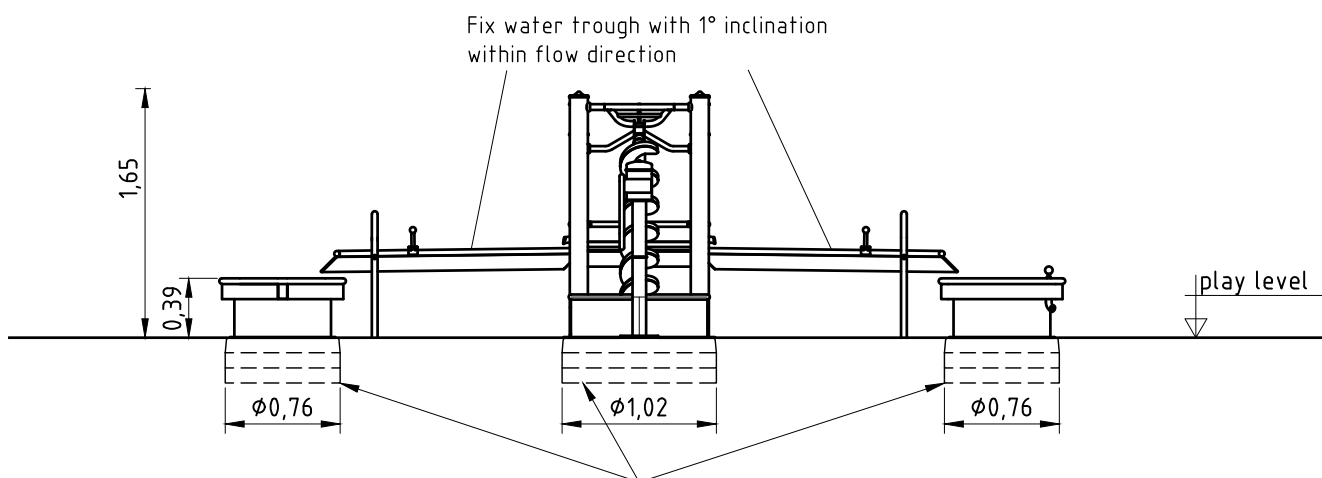


detail of play level mark
1:5



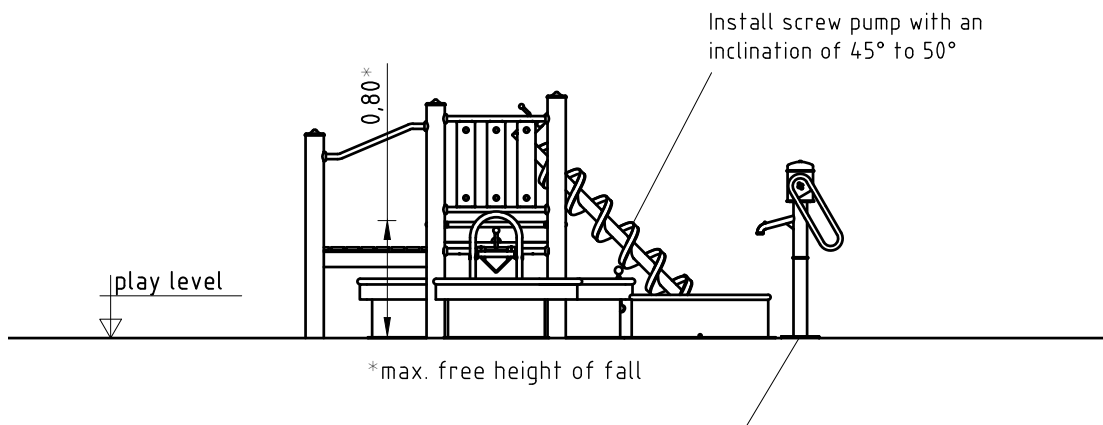
platform fastening
1:10





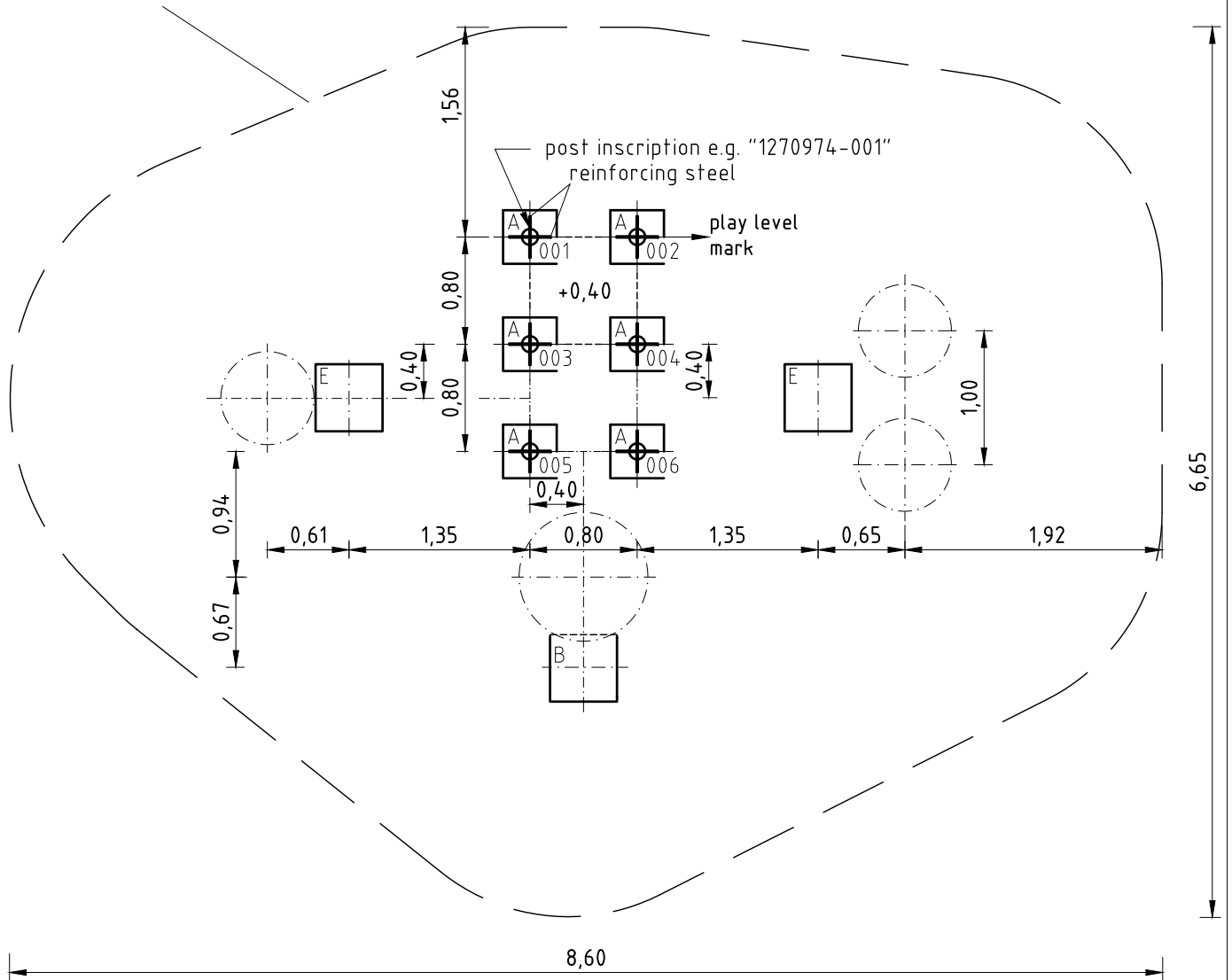
Dimensions of ring-shaped foundations and formblocks (accessory parts - NOT included with delivery)

For a stable installation of the waterplay elements additional (ring shape e.g.) concrete foundations are necessary. Their dimensions (especially the depth) depend on the soil conditions on site. The waterplay elements can be connected to the foundations either by using concrete dowels or by the stone bolts provided.



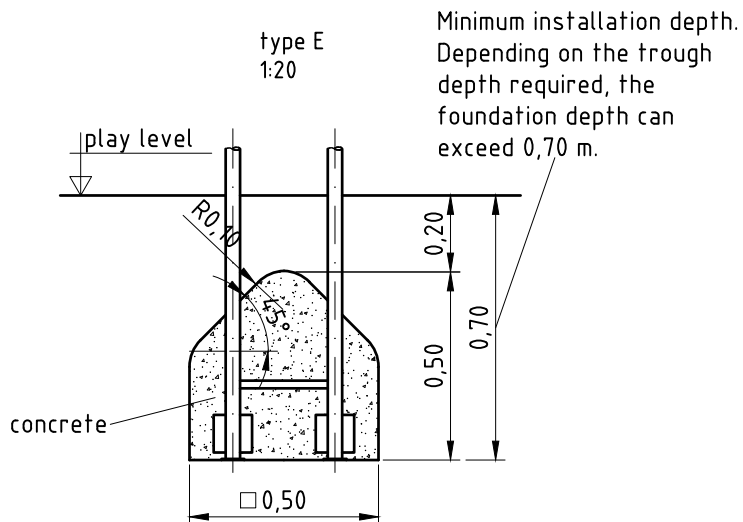
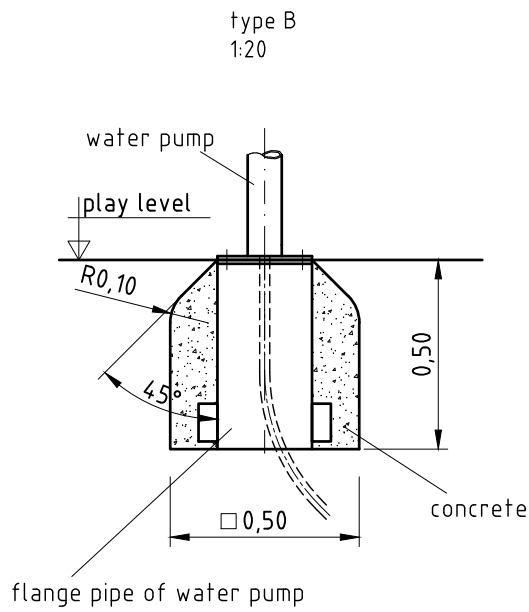
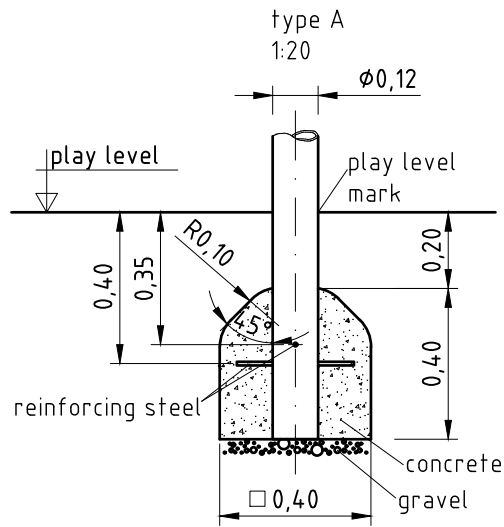
For direct connection to a pressure water supply, an additional valve combination is necessary (with hygienic flush on choice). For operation and installation, see hint above the assembly text.

minimum space/impact area 43 m²
 Its dimensions only apply to the arrangement of the water play elements represented.
 With a modified arrangement (e.g. by dislocating or adding further elements), the impact area must be readapted.



Please note:

Due to the format size, this installation is not to scale (apart from single details).
 Please refer to the dimensions indicated .
 An installation documentation scale 1:50 can be submitted on request.



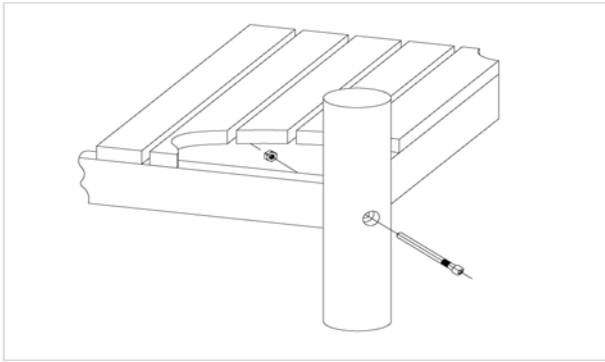
Item: **034354501**
 K&K Water play structure
 Location:

Order:

1294323

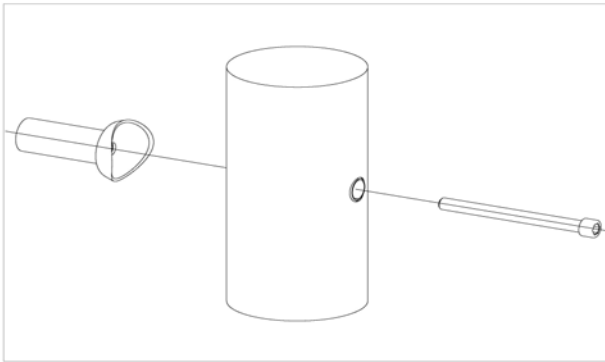
Building Project:

4 x SFES120001 Platform fastening to stainless steel post, nut on the side of the platform



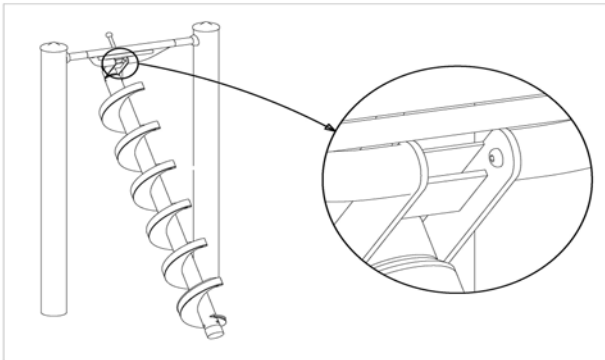
per SC	Total	K&K-Item	Marking
1 x	4 x	3430021	Lock nut M12 DIN985 A2
1 x	4 x	2030651	Cheese head screw with pin M12 x 125

24 x SFES1210001 Standard bolting of attachment parts (except platforms) to stainless steel posts



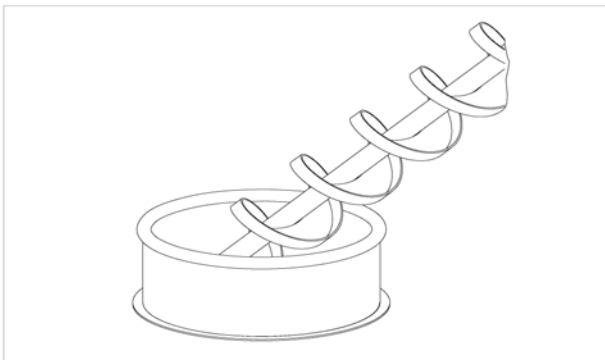
per SC	Total	K&K-Item	Marking
1 x	24 x	2030168	Cheese head screw with pin M12x140

1 x SFAS1260004 Screw pump fixing to RS120 junction



per SC	Total	K&K-Item	Marking
2 x	2 x	3400673	Dome head security screw-M8x20-Resistorx T40 A2

1 x SFAS1040009 Screw pump fixing to bottom basin



per SC	Total	K&K-Item	Marking
2 x	2 x	3430011	Hexagon cap nut M10 DIN986 A2

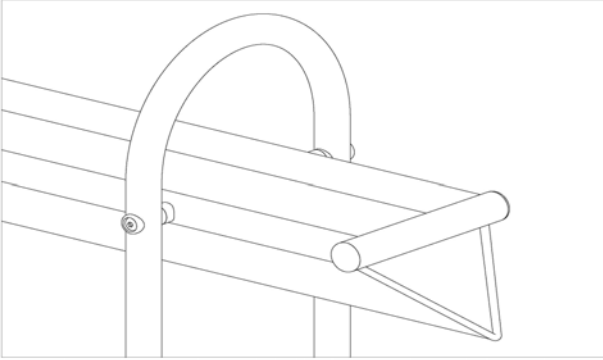
Item: **034354501**
K&K Water play structure

Order:

1294323

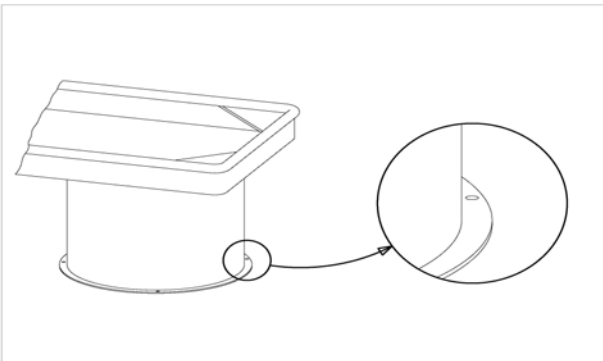
Location: Building Project:

2 x SFAS1040006 Water trough (S) at support



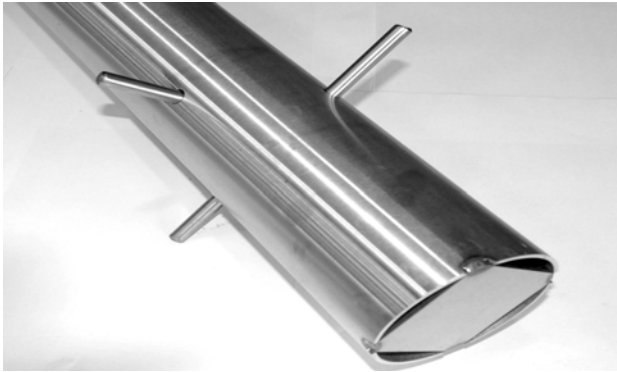
per SC	Total	K&K-Item	Marking
2 x	4 x	3400286	Dome head security screw-M10x50-Resistorx T45 A

16 x SFAS1040011 Cylinder base plate fastening to foundation



per SC	Total	K&K-Item	Marking
1 x	16 x	1040272	Fastening set water play equipment M10x160 A2 stone bolt/washer/nuts

6 x SFES1270001 Reinforcing steel for stainless steel posts



per SC	Total	K&K-Item	Marking
2 x	12 x	2130000	Reinforcing steel Ø 10 x 310 DIN 488

1 x SFWZ0000001 Security TORX wrench TR40

per SC	Total	K&K-Item	Marking
1 x	1 x	3490081	Security TORX wrench TR40



Item: **034354501**
K&K Water play structure

Order:

1294323

Location:

Building Project:

1 x SFWZ000002 Security TORX wrench TR45



per SC	Total	K&K-Item	Marking
1 x	1 x	3490033	Allen key security TORX T45

1 x SFWZ000009 Hexagon insert socket driver 10mm 1/2" with borehole for Pin



per SC	Total	K&K-Item	Marking
1 x	1 x	2030170	Hexagon insert socket driver 10 mm 1/2" with drill hole for Pin

1 x SFWZ000012 Lubricating metal (30g box) incl. brush



per SC	Total	K&K-Item	Marking
1 x	1 x	5300039	Lubricating metal box 30g
1 x	1 x	5200026	Brush for lubricating metal