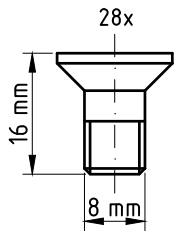


1. Assign a device location considering the space requirements (impact area). Slide direction recommended: north-east or in half-shade of trees.
2. Excavate soil for foundations, according to drawing.
Please note: To achieve maximum stability and a safe installation, a moderate level of soil solubility is required.
3. Place posts into the respective foundation holes.
4. **For installation of the pre-assembled components and/or single parts, the screws slightly have to be lubricated with installation paste!
Tighten all screws after having aligned all components.**
5. Grout foundations with compressed concrete C20/25, chamfer and round off the edges, cover the foundations with a surface which meets the requirements for impact attenuation so that the critical fall height of the surfacing is equal to, or greater than, the free height of fall of the equipment (acc. to EN 1176-1). The run-out section fall zone must have surfacing with a critical fall height of at least 1000mm (acc. to EN 1176-3).
6. Release for play after concrete foundations have set.
7. According to maintenance instructions, check all screw connections after 4-5 weeks and retighten, if necessary.

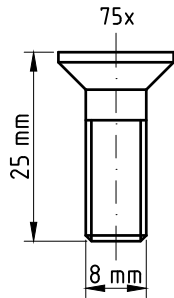
Please ensure that all special tools supplied (e.g. Allen key for secured Allen screws etc.) and all specific documents which are or may be useful for safety management acc. to EN 1176-7 (e.g. invoice, delivery note, order acknowledgement, installation instructions, maintenance instructions) are forwarded to the persons responsible.

Necessarily insert all attachment parts before tightening the screws.

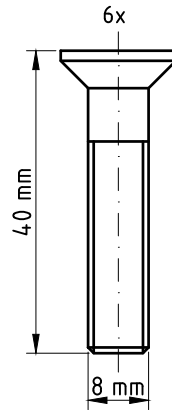
It is NOT possible to insert them afterwards.



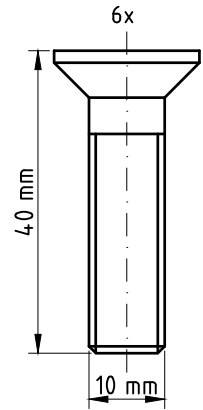
countersunk screw DIN 7991 - M8x12 - A2



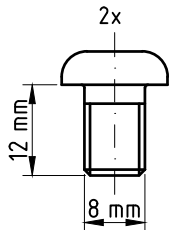
countersunk security screw - M8x25 - A2



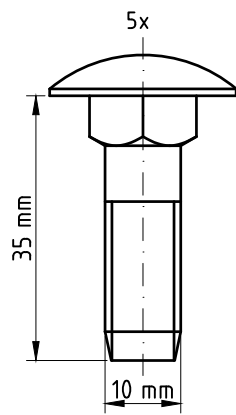
countersunk screw DIN 7991 - M8x40 - A2



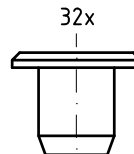
countersunk screw DIN 7991 - M10x40 - A2



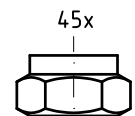
oval-head security screw - M8x12 - A2



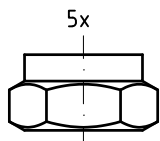
mushroom head screw DIN 603 - M10x35 - A2



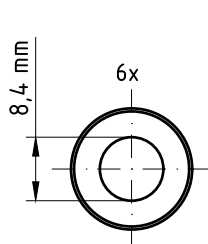
RAMPA round nut type RF - M8



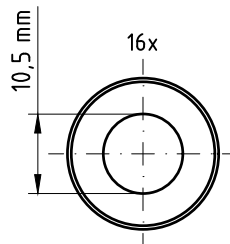
lock nut DIN 985 - M8 - A2



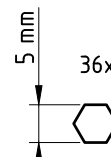
lock nut DIN 985 - M10 - A2



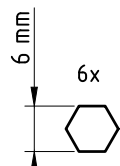
washer DIN 125 - Ø8,4 - A2



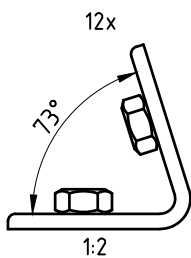
washer DIN 125 - Ø10,5 - A2



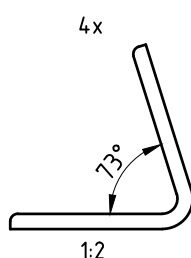
aluminium stopper 5mm



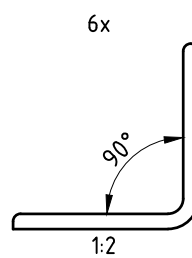
aluminium stopper 6mm



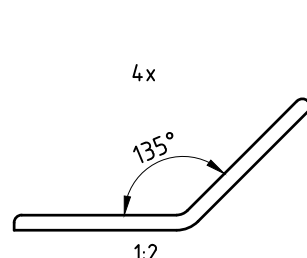
angle 73° with 2 hexagon nuts



angle 73° without hexagon nuts



angle 90°



angle 135°

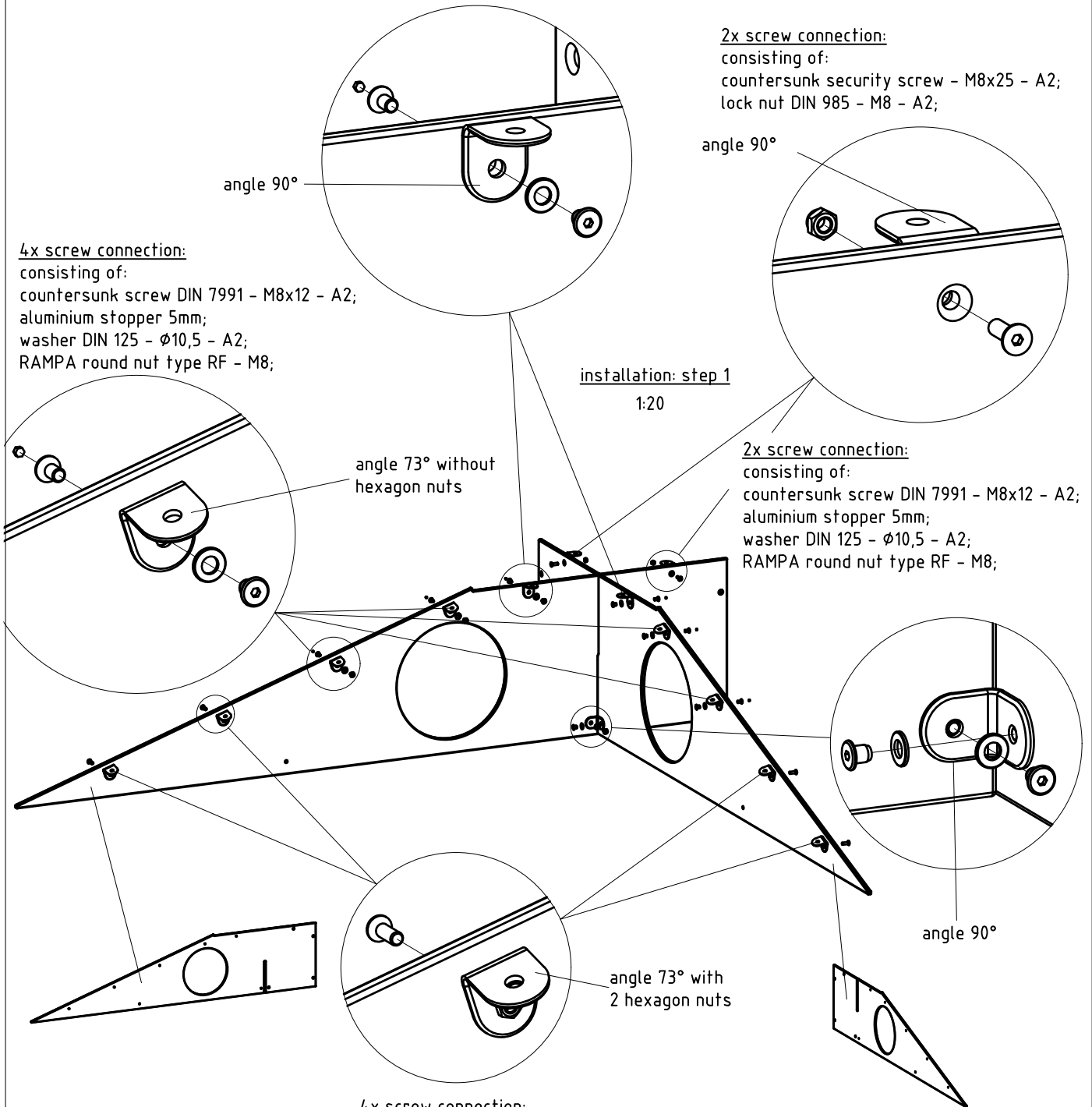
2x screw connection:
 consisting of:
 countersunk screw DIN 7991 - M8x12 - A2;
 aluminium stopper 5mm;
 washer DIN 125 - ϕ 10,5 - A2;
 RAMPA round nut type RF - M8;

2x screw connection:
 consisting of:
 countersunk security screw - M8x25 - A2;
 lock nut DIN 985 - M8 - A2;

4x screw connection:
 consisting of:
 countersunk screw DIN 7991 - M8x12 - A2;
 aluminium stopper 5mm;
 washer DIN 125 - ϕ 10,5 - A2;
 RAMPA round nut type RF - M8;

2x screw connection:
 consisting of:
 countersunk screw DIN 7991 - M8x12 - A2;
 aluminium stopper 5mm;
 washer DIN 125 - ϕ 10,5 - A2;
 RAMPA round nut type RF - M8;

4x screw connection:
 consisting of:
 countersunk security screw - M8x25 - A2;



If there is no play option, close the drill holes.

8x screw connection:
consisting of:
countersunk security screw - M8x25 - A2;
lock nut DIN 985 - M8 - A2;

if there is a play option item-no. 1260146, 1260147, 1260148 or 1260149:
1x screw connection see separate installation instruction

if there is no play option:

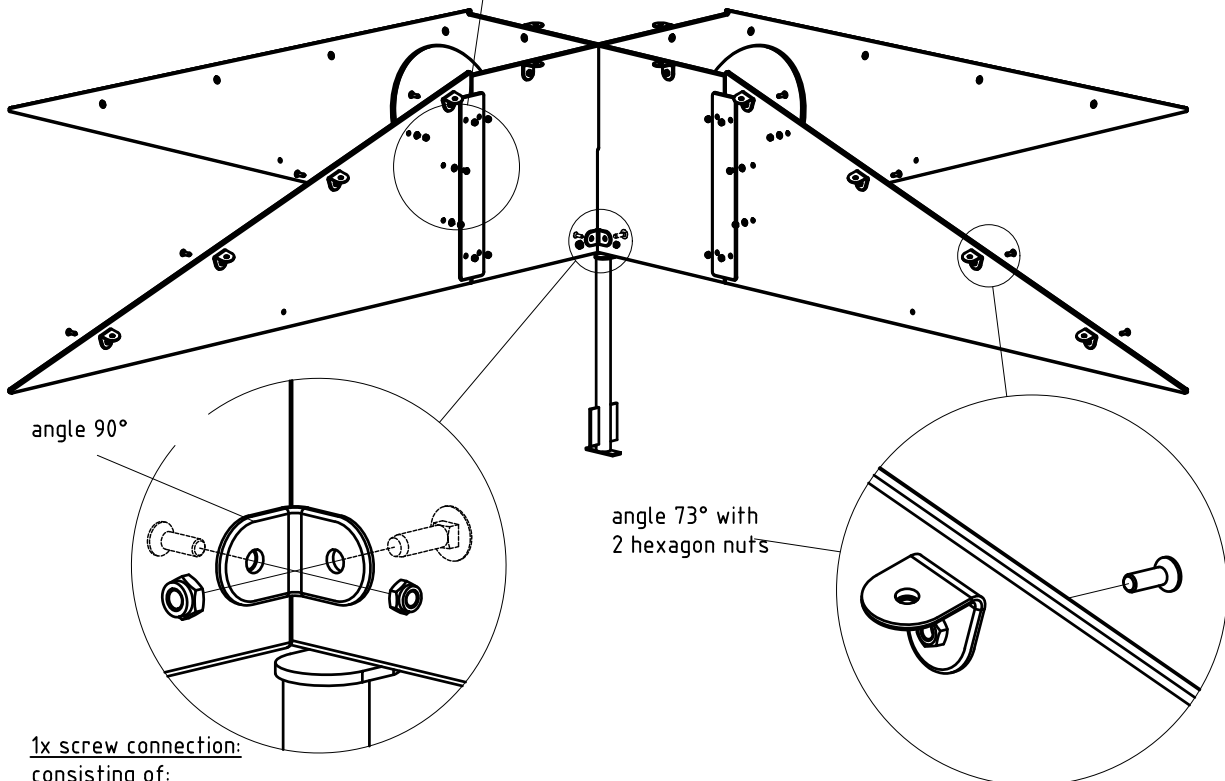
2x screw connection:
consisting of:
oval-head security screw - M8x12 - A2;
washer DIN 125 - ϕ 8,4 - A2;
RAMPA round nut type RF - M8;

if there is
- no play option,
- play option item-no. 1260150 or
- play option item-no. 1260151

4x screw connection:
consisting of:
countersunk security screw - M8x25 - A2;
washer DIN 125 - ϕ 8,4 - A2;
lock nut DIN 985 - M8 - A2;

stainless steel 50cm x 9cm
without hexagon nuts

installation: step 2
1:20



angle 90°

angle 73° with
2 hexagon nuts

1x screw connection:
consisting of:
countersunk security screw - M8x25 - A2;
mushroom head screw DIN 603 - M10x35 - A2;
lock nut DIN 985 - M8 - A2;
lock nut DIN 985 - M10 - A2;

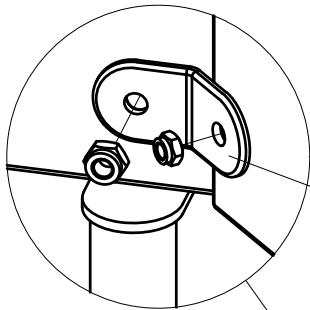
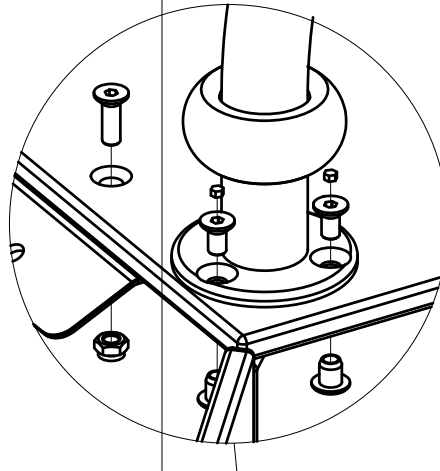
8x screw connection:
consisting of:
countersunk security screw - M8x25 - A2;

if there is a play option see separate installation instruction

4x screw connection:
 consisting of:
 countersunk security screw - M8x25 - A2;
 lock nut DIN 985 - M8 - A2;

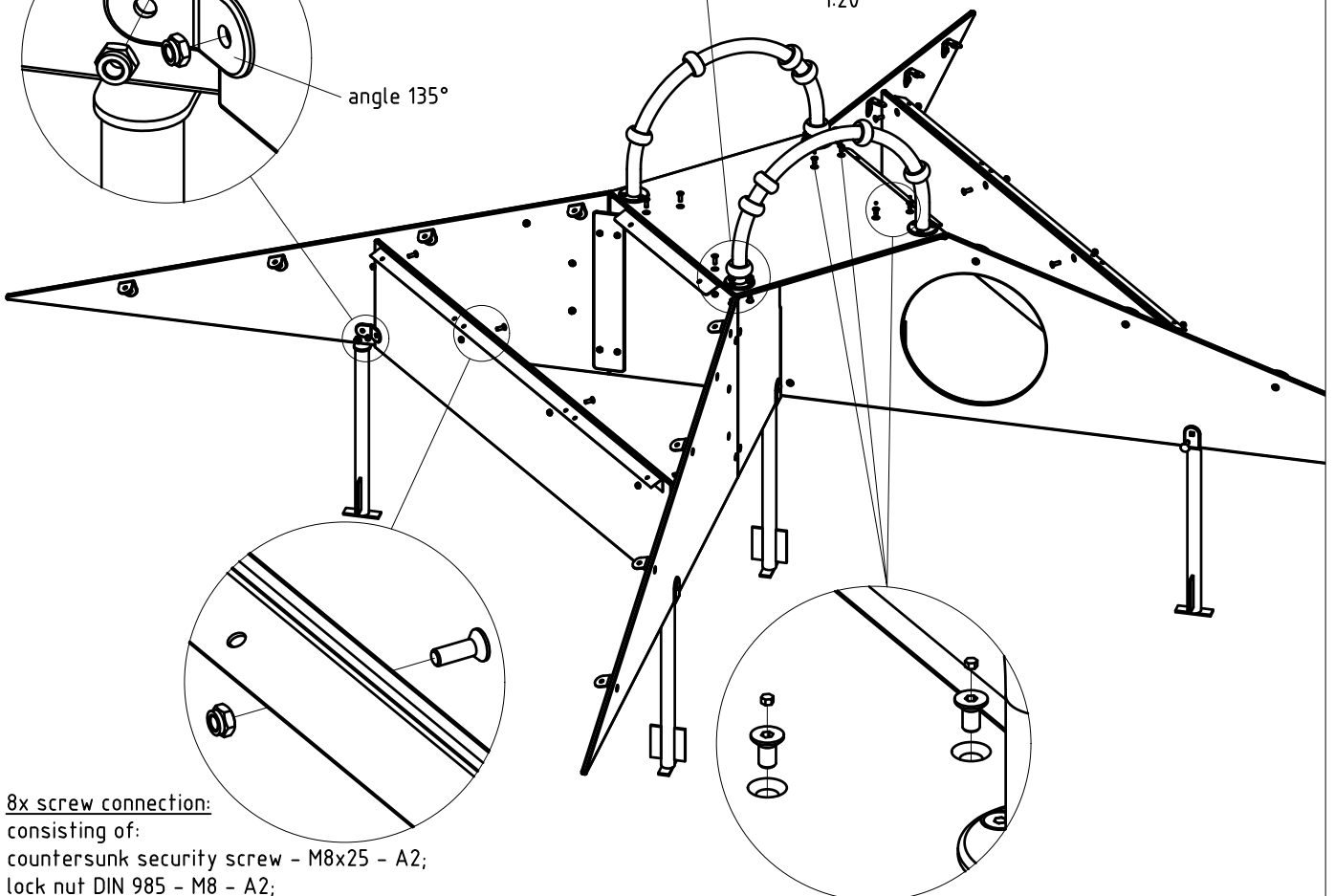
12x screw connection:
 consisting of:
 countersunk screw DIN 7991 - M8x12 - A2;
 aluminium stopper 5mm;
 RAMPA round nut type RF - M8;

4x screw connection:
 consisting of:
 countersunk security screw - M8x25 - A2;
 mushroom head screw DIN 603 - M10x35 - A2;
 lock nut DIN 985 - M8 - A2;
 lock nut DIN 985 - M10 - A2;



angle 135°

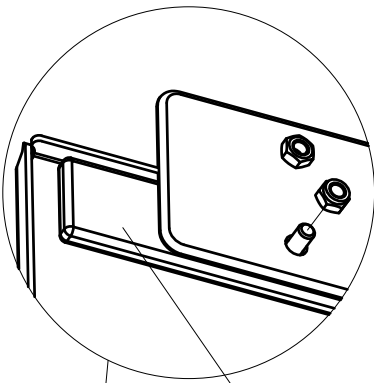
installation: step 3
 1:20



8x screw connection:
 consisting of:
 countersunk security screw - M8x25 - A2;
 lock nut DIN 985 - M8 - A2;

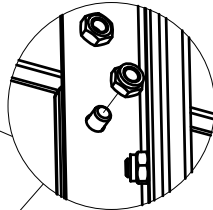
4x screw connection:
 consisting of:
 countersunk screw DIN 7991 - M8x12 - A2;
 aluminium stopper 5mm;
 washer DIN 125 - Ø10,5 - A2;
 RAMPA round nut type RF - M8;

4x screw connection:
consisting of:
lock nut DIN 985 - M8 - A2;



HPL 59cm x 4,3cm

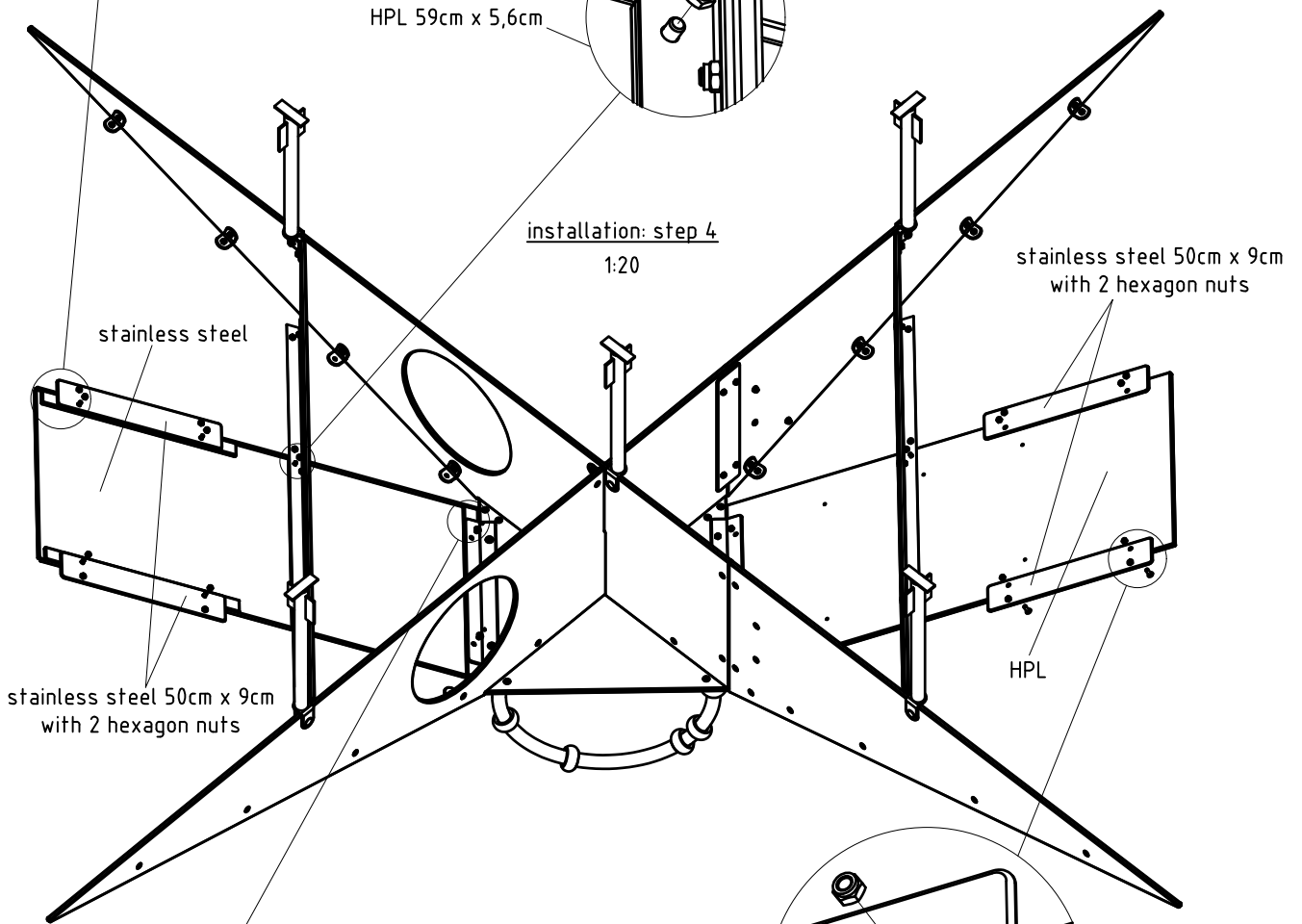
2x screw connection:
consisting of:
lock nut DIN 985 - M8 - A2;



HPL 59cm x 5,6cm

installation: step 4

1:20



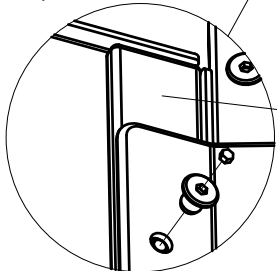
stainless steel 50cm x 9cm
with 2 hexagon nuts

stainless steel 50cm x 9cm
with 2 hexagon nuts

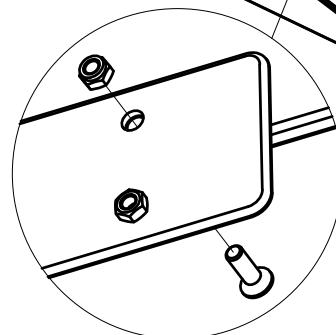
HPL

HPL 59cm x 4,3cm

2x screw connection:
consisting of:
aluminium stopper 5mm;
RAMPA round nut type RF - M8;



8x screw connection:
consisting of:
countersunk security screw - M8x25 - A2;
lock nut DIN 985 - M8 - A2;



4x screw connection:

consisting of:

countersunk screw DIN 7991 - M8x12 - A2;

aluminium stopper 5mm;

washer DIN 125 - ϕ 10,5 - A2;

RAMPA round nut type RF - M8;

6x screw connection:

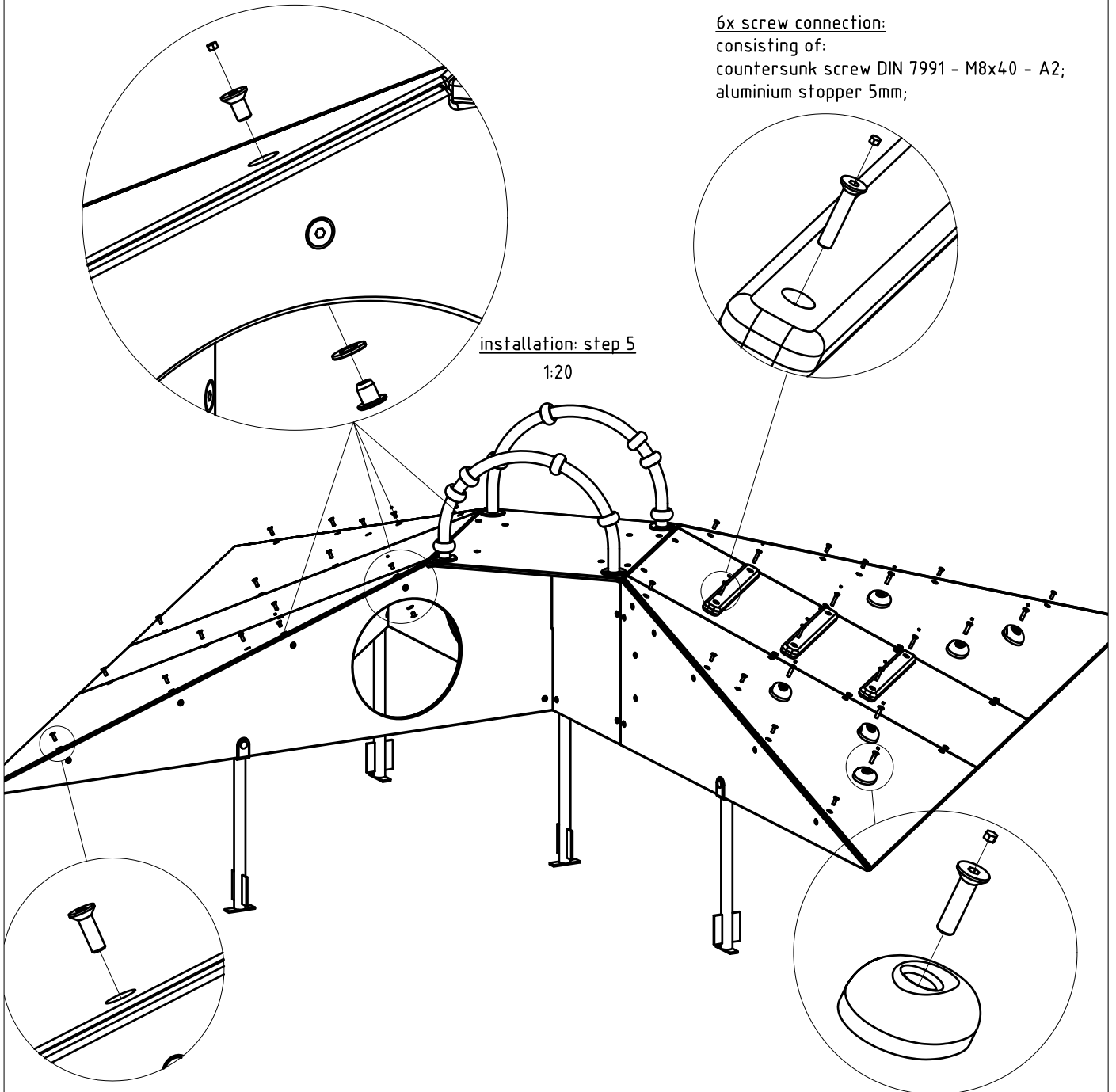
consisting of:

countersunk screw DIN 7991 - M8x40 - A2;

aluminium stopper 5mm;

installation: step 5

1:20



28x screw connection:

consisting of:

countersunk security screw - M8x25 - A2;

6x screw connection:

consisting of:

countersunk screw DIN 7991 - M10x40 - A2;

aluminium stopper 6mm;

