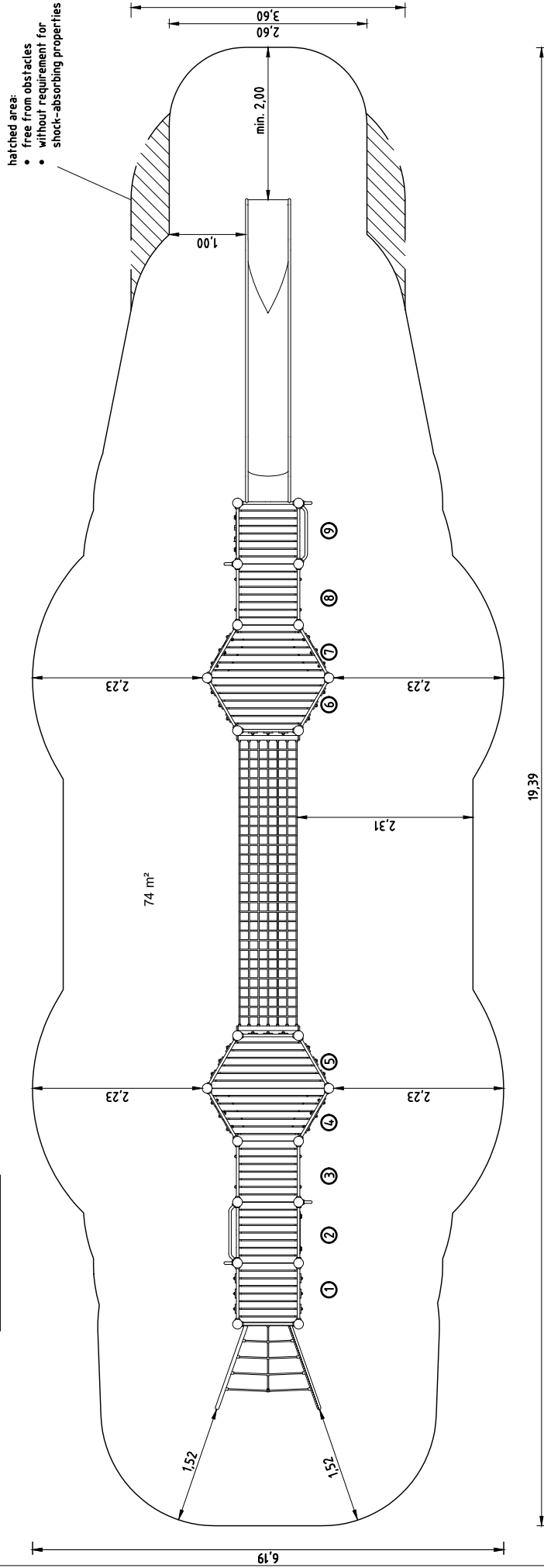


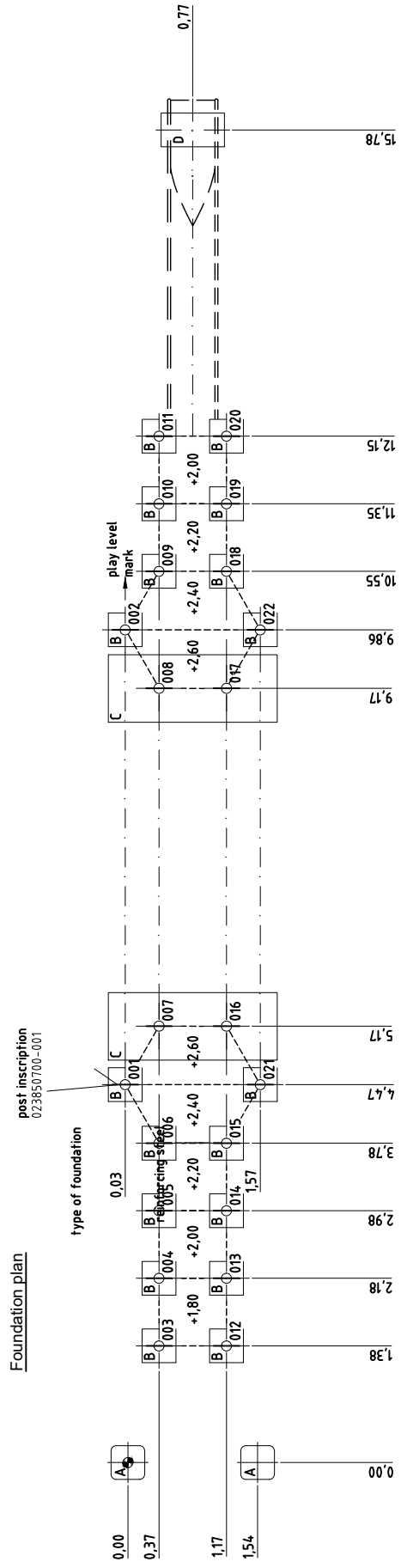
Please note:

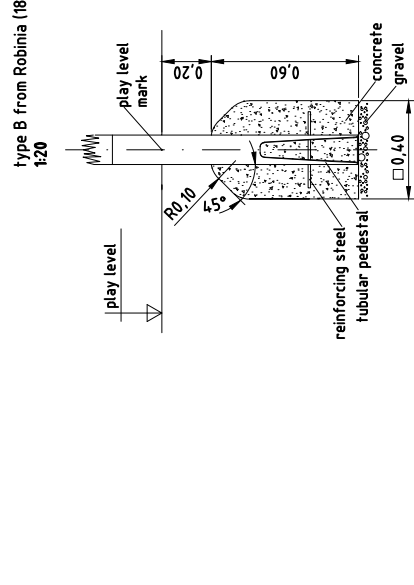
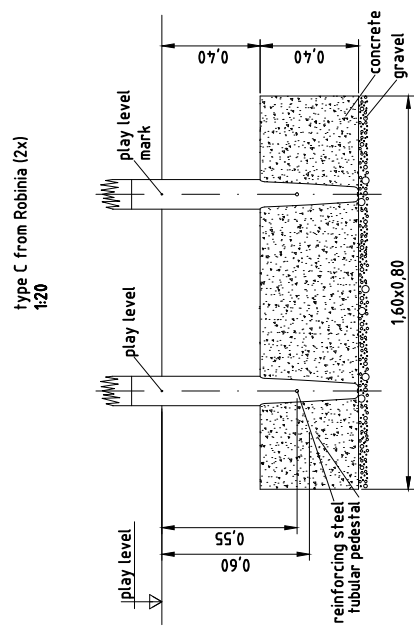
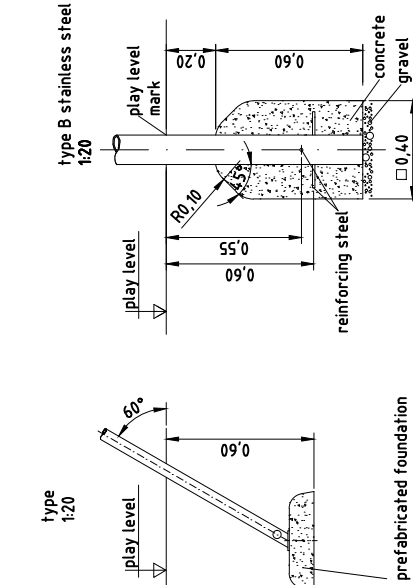
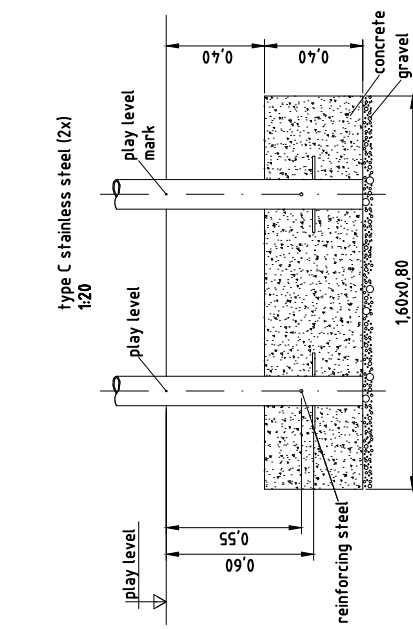
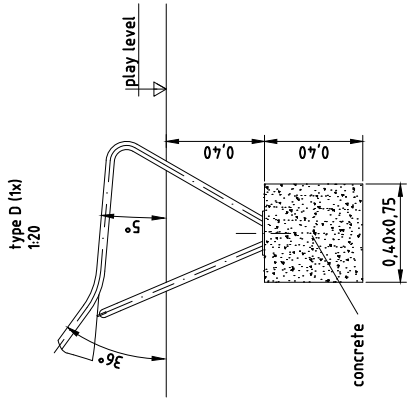
Due to the format size, this installation is not to scale (apart from single details).
Please refer to the dimensions indicated.
An installation documentation scale 1:50 can be submitted on request.

Top view & impact area



Foundation plan

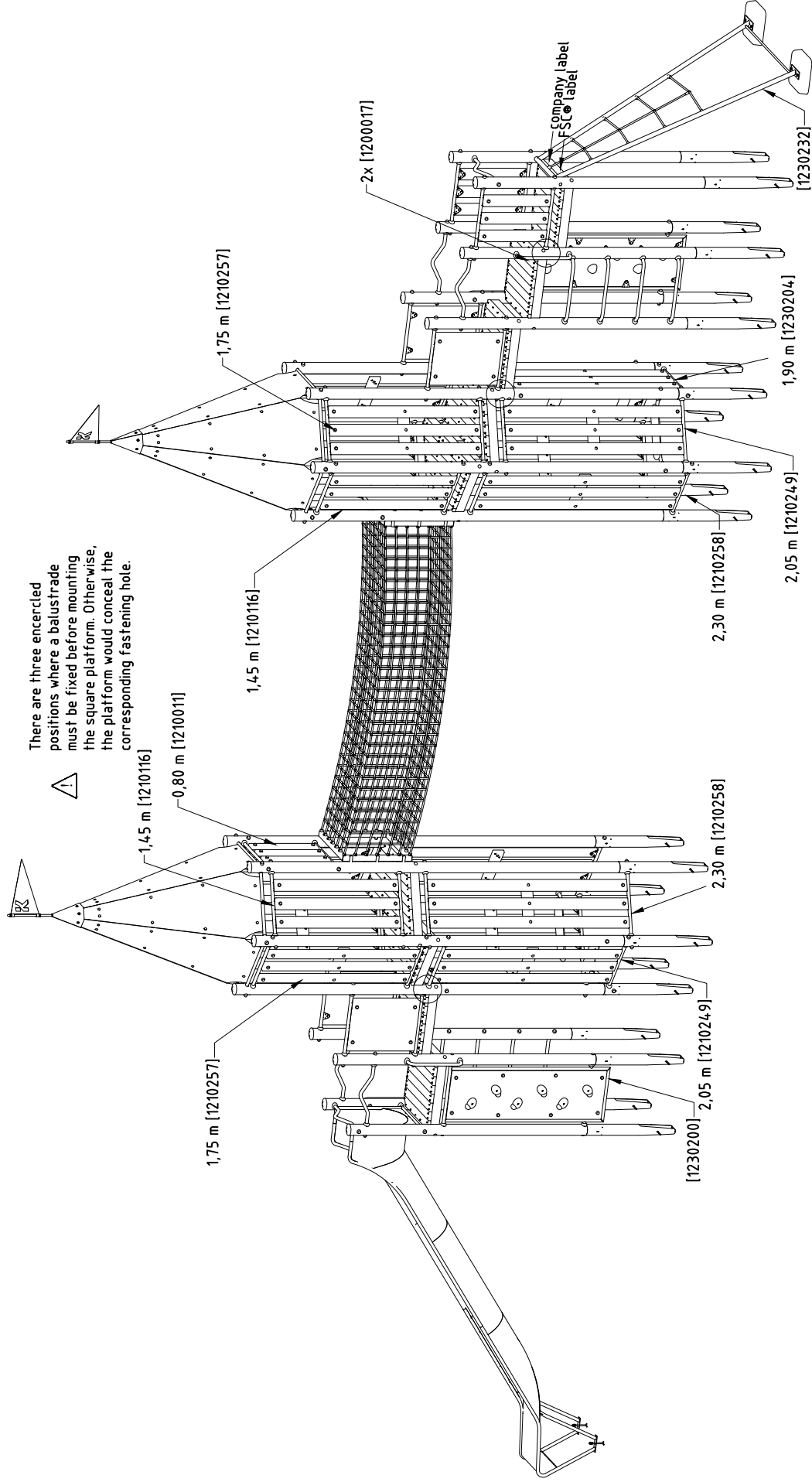


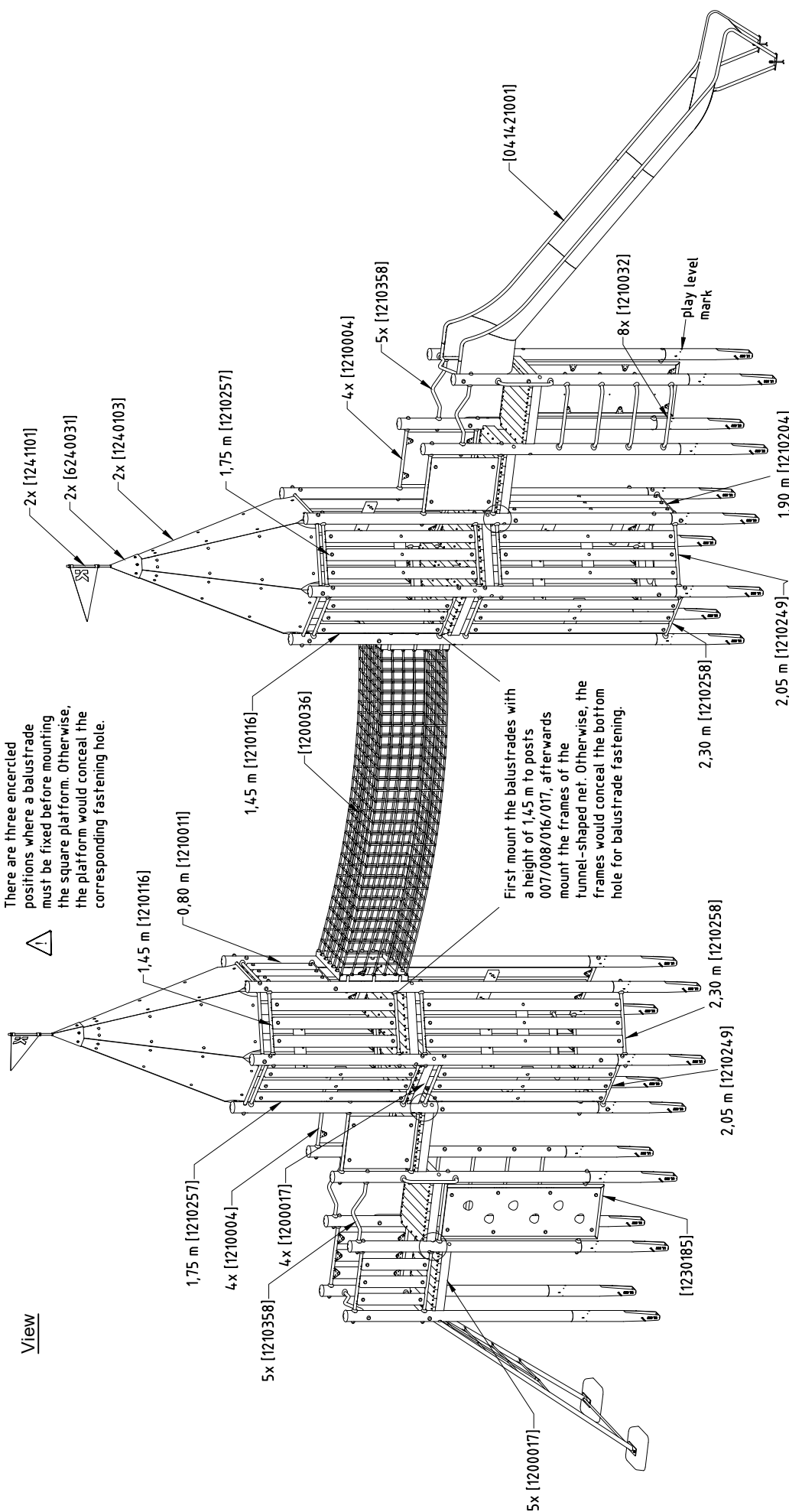


foundations (on site)
 18x 0,40 x 0,40 x 0,60 m
 2x 1,60 x 0,80 x 0,40 m
 1x 0,40 x 0,75 x 0,40 m
 (approximate) concrete needs
 3 m³

Installation

View





There are three encircled positions where a balustrade must be fixed before mounting the square platform. Otherwise, the platform would conceal the corresponding fastening hole.

First mount the balustrades with a height of 1,45 m to posts 007/008/016/017, afterwards mount the frames of the tunnel-shaped net. Otherwise, the frames would conceal the bottom hole for balustrade fastening.

View

Installation

Installation instructions

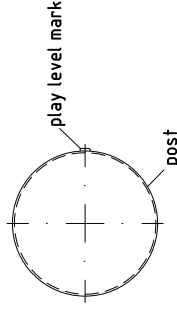
- Assign a device location considering the space requirement (impact area). Due to a possible sliding surface heating, please see to a north-east orientation (northern hemisphere) of the slides or provide half-shade of trees.
For countries in the southern hemisphere, see to a south-east orientation.
 - Excavate soil for foundations, according to drawing.
Please note: To achieve maximum stability and a safe installation, a moderate level of soil solubility is required.
 - Pour in a drain layer of gravel of approx. 10 cm thickness between the bottom of the posts and plain base of foundation.
 - Insert reinforcing steel into the corresponding holes of the posts.
 - Place posts type A according to the corresponding number (see foundation layout) into the respective foundation hole. Play level mark (=aluminium blind rivet) complies with the installation depth. Align every post by means of the play level mark facing into the same direction (see detail or foundation layout).
 - For installation of the pre-assembled components and/or single parts, the screws slightly have to be lubricated with installation paste:**
Screw together platforms and posts by using the respective hole in the mounting brackets (according to "chart for platform fastening").
Tighten all screws after having aligned all components.
Install the slide exit with the given inclination in sliding direction so that rain water can drain off.
Screw connections see details in attached list.
We recommend not to insert the protection caps enclosed before first maintenance as they are only suitable for one-time use (see description below).
 - Grout foundations with compressed concrete C20/25, chamfer and round off the edges, cover the foundations with a surface which meets the requirement for impact attenuation so that its critical fall height is equal to or greater than the maximum free height of fall of the equipment (acc. to EN 1176-1). The run-out section fall zone must have surfacing with a critical fall height of at least 1000 mm (acc. to EN 1176-3).
 - Release for play after concrete foundations have set.
 - According to maintenance instructions, check all screw connections after 4-5 weeks and retighten, if necessary. Afterwards cover the screw heads with protection caps as follows: Insert flat protection caps into the countersunk drills (e.g. for platforms). The non-countersunk drills (e.g. for railings or a slide) have to be covered with the coloured protection caps by placing them onto the base part. Strongly pound them (e.g. by using a plastic mallet) until they audibly snap into the base part groove.
- Please ensure that all special tools supplied (e.g. Allen key for secured Allen screws etc.) and all specific documents which are or may be useful for safety management acc. to EN 1176-7 (e.g. invoice, delivery note, order acknowledgement, installation instructions, maintenance instructions) are forwarded to the persons responsible.

Necessarily insert all attachment parts before tightening the screws. It is NOT possible to insert them afterwards.

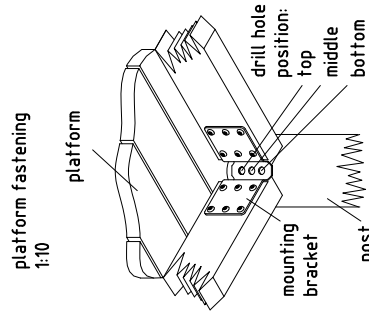
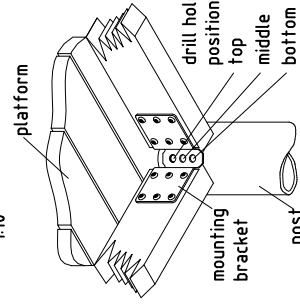
chart for platform fastenings

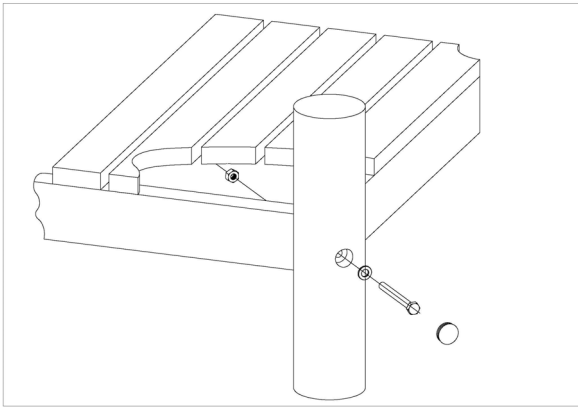
No.	height	drill hole position in mounting bracket		
		top	middle	bottom
①	1,80		x	
②	2,00	x		
③	2,20		x	
④	2,40			x
⑤	2,60		x	
⑥	2,60		x	
⑦	2,40		x	
⑧	2,20		x	
⑨	2,00			x

detail of play level mark
1:5



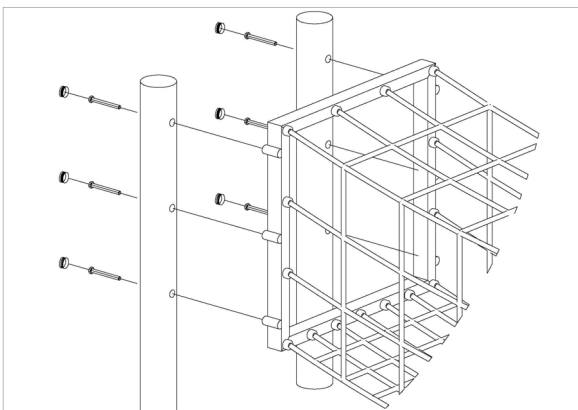
platform fastening
1:10





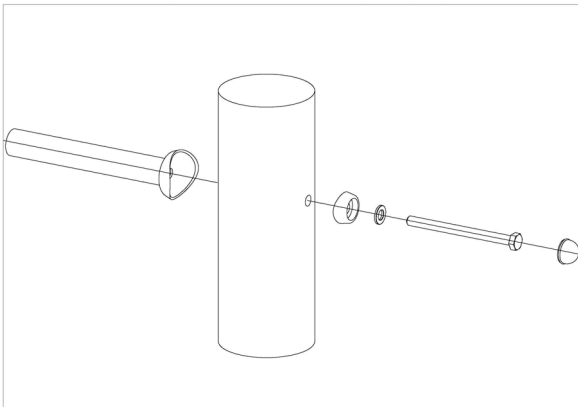
36 x SFRS1200001 Platform at Robinia post, nut is platform-sided

per set	total	item no.	material short text
1	36	3430021	Lock nut M12 DIN985 A2
1	36	3430129	Washer Ø 14 DIN1440 A2
1	36	3400700	Hexagon head screw M12 x 120 DIN931 A2
1	36	3300016	Grey domed plastic cover cap SL 36 G



12 x SFRS1200005 Spatial net - frame fastening to Robinia posts
exemplary illustration of wide-meshed net

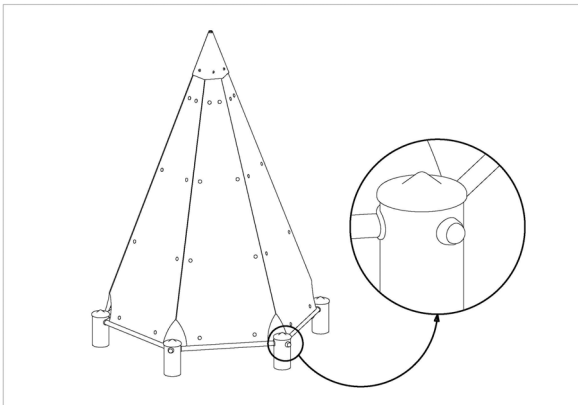
per set	total	item no.	material short text
1	12	3430129	Washer Ø 14 DIN1440 A2
1	12	3400395	Hexagon head cap screw M12 x 110 DIN931 A2
1	12	3300016	Grey domed plastic cover cap SL 36 G



130 x SFRS1210001 standard bolting of components to Robinia posts in non-countersunk drilling

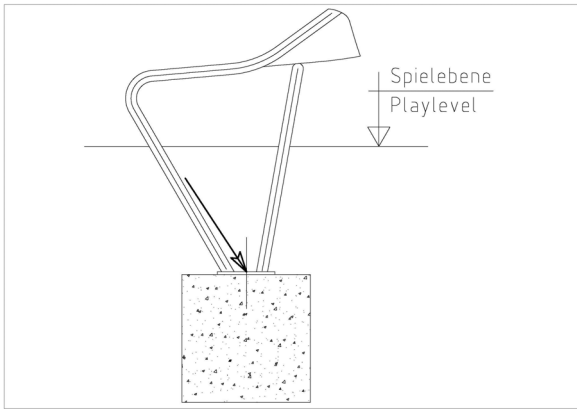
in non-countersunk drilling

per set	total	item no.	material short text
1	130	3400702	hexagon head cap screw M12x160 DIN931 A2 coated with thread locking compound
1	130	3430025	washer Ø 13 DIN125 A2
1	130	3300054	protective screw cap - lower part, domed M12
1	130	3300055	protective screw cap - upper part, M12



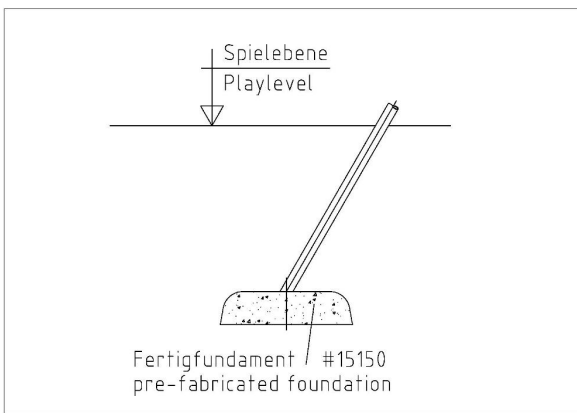
12 x SFRS1240022 Tower roof fastening 72° to Robinia posts

per set	total	item no.	material short text
1	12	3300054	protective screw cap - lower part, domed M12
2	24	3430025	washer Ø 13 DIN125 A2
1	12	3400363	Hexagon head cap screw M12 x 150 DIN931 A2
1	12	3300055	protective screw cap - upper part, M12
1	12	3430051	Hexagon cap nut M12 DIN 986 A2



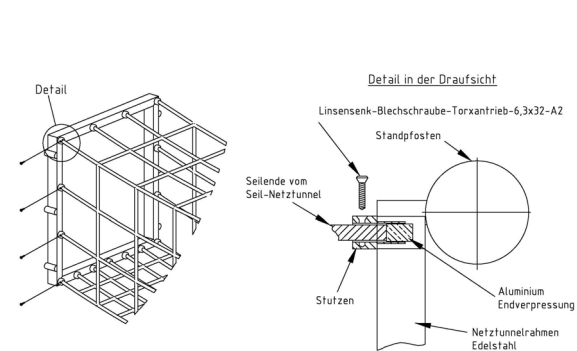
2 x SFXS1070006 Slide run-out section (up to 2,00 m) on foundation stone bolt assembly

per set	total	item no.	material short text
1	2	1070365	Set of stone bolts for slide run-out section



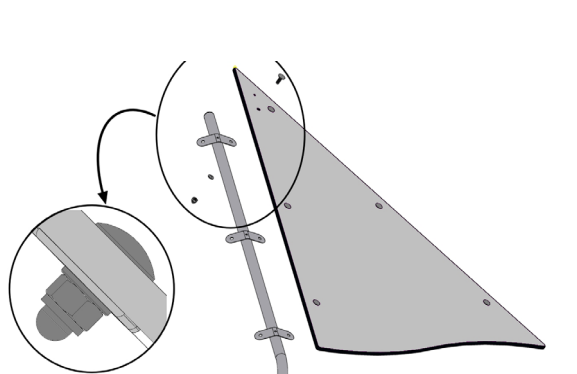
4 x SFXS1230009 Scramble up net / climbing net fastening to prefabricated foundation

per set	total	item no.	material short text
1	4	3400018	Hexagon screw M12 x 25 DIN933 A2
1	4	3430025	washer Ø 13 DIN125 A2



48 x SFAS1200005 Rope fastening to frame of spatial net exemplary illustration of wide-meshed net

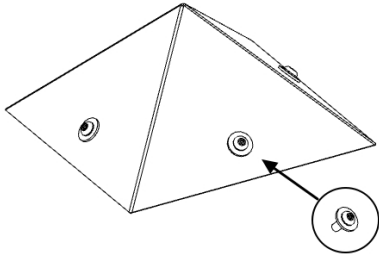
per set	total	item no.	material short text
1	48	3400515	Oval head countersunk screw Torx Ø 6,3 x 32 galv.



24 x SFAS1240029 HPL panel fastening to roof pipe support

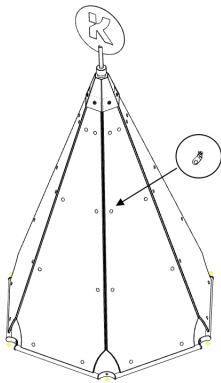
per set	total	item no.	material short text
1	24	3430011	hexagon cap nut M10 DIN986 A2
1	24	3430014	washer Ø 10,5 DIN125 form B A2
1	24	3400138	mushroom head screw square neck M10x30 DIN 603 A2

12 x SFAS1240032 Roof hood fastening on HPL panels



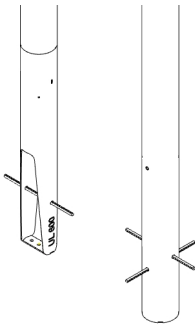
per set	total	item no.	material short text
1	12	3400673	Dome head screw M8x20 A2 Security Torx TR40
1	12	3430102	Washer Ø 8.4 DIN9021 A2

36 x SFAS1240034 HPL panel on inner face of mounting brackets 60°



per set	total	item no.	material short text
2	72	3400138	mushroom head screw square neck M10x30 DIN 603 A2
2	72	3430014	washer Ø 10,5 DIN125 form B A2
2	72	3430011	hexagon cap nut M10 DIN986 A2
1	36	6240034	Strap for tent roof 4 x 45° / 60° edged

22 x SFAS1270001 reinforcing steel bar for posts



per set	total	item no.	material short text
1	22	2130000	reinforcing steel Ø 10 x 310 DIN 488

1 x SFWZ0000001 Security TORX wrench TR40

per set	total	item no.	material short text
1	1	3490081	Allen key security TORX TR40



1 x **SFWZ000010 Security bit TORX PLUS IPR 30 x 25**

per set	total	item no.	material short text
1	1	3490038	Security bit TORX PLUS IPR 30 x 25



2 x **SFWZ000012 lubricating metal (30 g box) incl. brush**

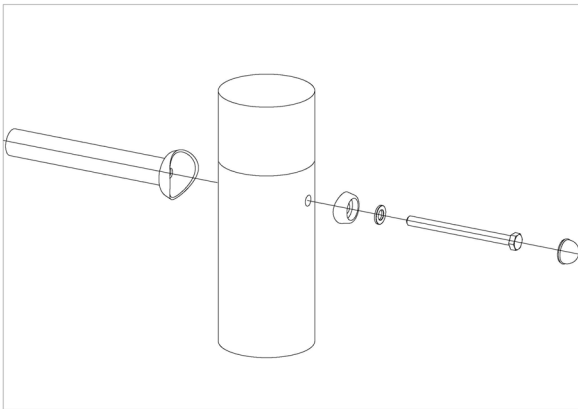
per set	total	item no.	material short text
1	2	5200026	brush for lubricating metal
1	2	5300039	lubricating metal box 30g



20 x **SFRS1210016 standard bolting of components to Robinia posts in non-countersunk drillings in wooden section**

in non-countersunk drillings in wooden section

per set	total	item no.	material short text
1	20	3400702	hexagon head cap screw M12x160 DIN931 A2 coated with thread locking compound
1	20	3430025	washer Ø 13 DIN125 A2
1	20	3300054	protective screw cap - lower part, domed M12
1	20	3300055	protective screw cap - upper part, M12



10 x **SFRS1230004 Standard bolting of climbing poles, ramps etc. to Robinia posts with countersunk holes**

to Robinia posts with countersunk holes

per set	total	item no.	material short text
1	10	3400701	Hexagon head cap screw M12 x 130 DIN931 A2
1	10	3300016	Grey domed plastic cover cap SL 36 G
1	10	3430129	Washer Ø 14 DIN1440 A2

