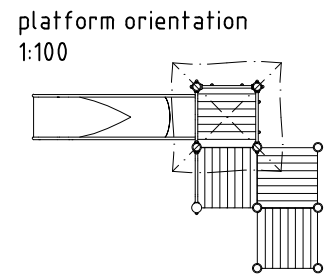
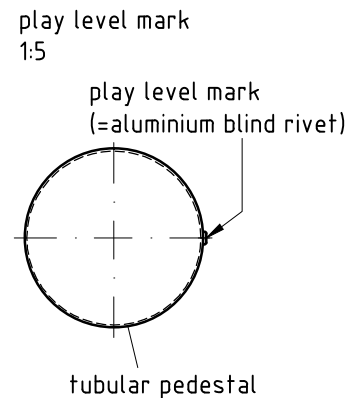


1. Assign a device location considering the space requirement (impact area). Slide direction recommended: north-east or in half-shade of trees.
2. Excavate soil for foundations, according to drawing. Please note: To achieve maximum stability and a safe installation, a moderate level of soil solubility is required.
3. Pour in a drain layer of gravel of approx. 10 cm thickness between the bottom of the tubular pedestals and plain base of foundation.
4. Insert reinforcing steel into the corresponding holes of the tubular pedestals type B.
5. Place posts type A and B (see foundation layout) according to the corresponding number into the respective foundation hole. Play level mark (=aluminium blind rivet) complies with the installation depth. Align every post by means of the play level mark facing into the same direction (see detail or foundation layout).
6. **For installation of the pre-assembled components and/or single parts, the screws slightly have to be lubricated with installation paste!**  
Screw together platforms and posts by using the middle hole in the mounting brackets.  
**Tighten all screws after having aligned all components.**  
Install the slide exit with an inclination of 5° in sliding direction.  
Screw connections see details in list of screw cases attached.  
We recommend not to insert the protection caps enclosed before first maintenance as they are only suitable for one-time use (see description in item No. 9).
7. Grout foundations with compressed concrete C20/25, chamfer and round off the edges, cover the foundations with a surface which meets the requirements for impact attenuation so that the critical fall height of the surfacing is equal to, or greater than, the free height of fall of the equipment (acc. to EN 1176-1). The run-out section fall zone must have surfacing with a critical fall height of at least 1000mm (acc. to EN 1176-3).
8. Release for play after concrete foundations have set.
9. According to maintenance instructions, check all screw connections after 4-5 weeks and retighten, if necessary. Afterwards cover the screw heads with protection caps as follows: Insert grey protection caps into the countersunk drills (e.g. for platforms). The non-countersunk drills (e.g. for walls or a slide) have to be covered with the red protection caps by placing them onto the base part. Strongly pound them (e.g. by using a plastic mallet) until they audibly snap into the base part groove.



Please ensure that all special tools supplied (e.g. Allen key for secured Allen screws etc.) and all specific documents which are or may be useful for safety management acc. to EN 1176-7 (e.g. invoice, delivery note, order acknowledgement, installation instructions, maintenance instructions) are forwarded to the persons responsible.

**Necessarily insert all attachment parts before tightening the screws.  
It is NOT possible to insert them afterwards.**



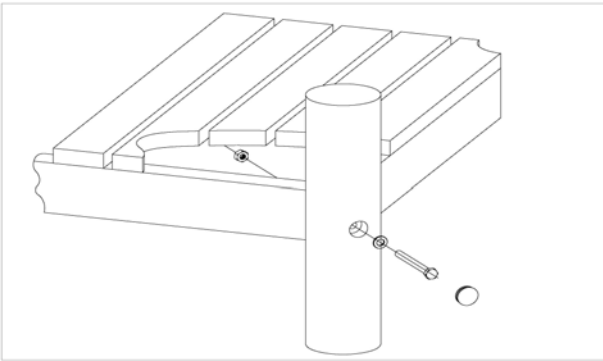


**Item: 021125701**  
 K&K Platform combination

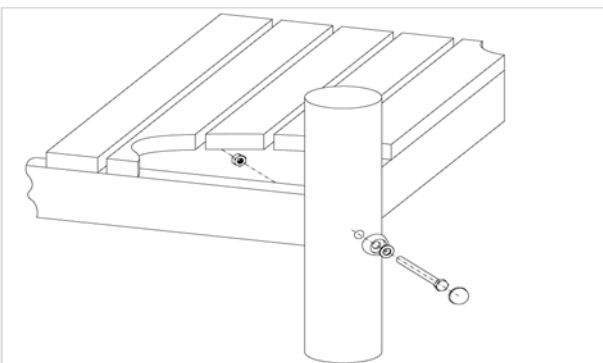
Order:

1298800

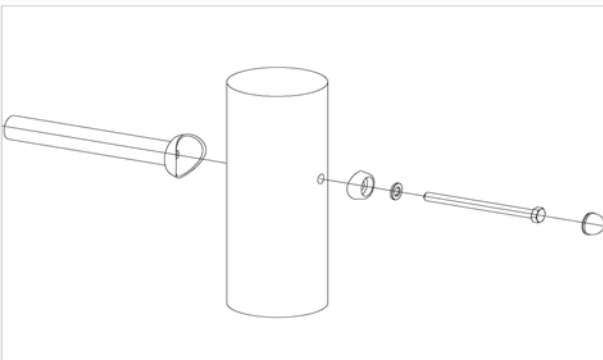
Location: Building Project:

**12 x SFRS1200001 Platform at robinia posts, nut on platform side**


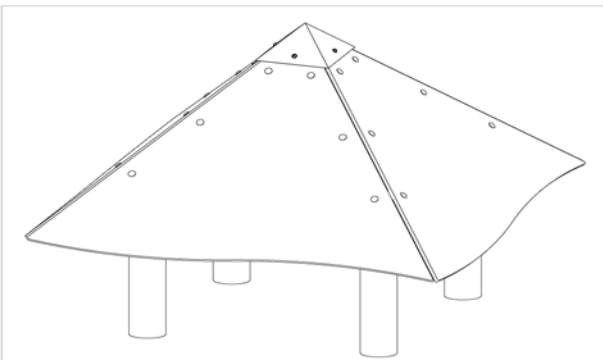
| per SC | Total | K&K-Item | Marking  |
|--------|-------|----------|--|
| 1 x    | 12 x  | 3400700  | Hexagon head screw M12 x 120 DIN931 A2 with screw security coating/FGB red |
| 1 x    | 12 x  | 3300016  | Grey domed plastic cover cap SL 36 G                                       |
| 1 x    | 12 x  | 3430129  | Washer Ø 14 DIN1440 A2   |
| 1 x    | 12 x  | 3430021  | Lock nut M12 DIN985 A2   |

**4 x SFES1200014 Platform at stainless steel post/tube-pedestal (Hexagon screw with red cap/nut platform-site)**


| per SC | Total | K&K-Item | Marking   |
|--------|-------|----------|---|
| 1 x    | 4 x   | 3430025  | Washer Ø 13 DIN125 A2                                     |
| 1 x    | 4 x   | 3300054  | Screw cap - lower part, domed M12 colour red/RAL 2002 PA6 |
| 1 x    | 4 x   | 3430021  | Lock nut M12 DIN985 A2                                    |
| 1 x    | 4 x   | 3300055  | Screw cap - upper part M12 P2 colour red/RAL 2002 PA6     |
| 1 x    | 4 x   | 3400363  | Hexagon head cap screw M12 x 150 DIN931 A2                |

**18 x SFRS1210001 Standard bolting for parapet, handrail, slide etc. at Robinia posts**


| per SC | Total | K&K-Item | Marking  |
|--------|-------|----------|--|
| 1 x    | 18 x  | 3300054  | Screw cap - lower part, domed M12 colour red/RAL 2002 PA6                      |
| 1 x    | 18 x  | 3300055  | Screw cap - upper part M12 P2 colour red/RAL 2002 PA6                          |
| 1 x    | 18 x  | 3430025  | Washer Ø 13 DIN125 A2  |
| 1 x    | 18 x  | 3400702  | Hexagon head cap screw M12 x 160 DIN931 A2 with screw security coating FGB red |

**1 x SFAS1240007 Tent roof 4 x 0,80 m with hood**


| per SC | Total | K&K-Item | Marking                                       |
|--------|-------|----------|---|
| 24 x   | 24 x  | 3430014  | Washer Ø 10,5 DIN 125 B A2                    |
| 4 x    | 4 x   | 3400673  | Oval head SecurityTorx bolt TR45-M8x20-A2     |
| 24 x   | 24 x  | 3430011  | Hexagon cap nut M10 DIN986 A2                 |
| 4 x    | 4 x   | 3430102  | Washer Ø 8.4 DIN9021 A2                       |
| 24 x   | 24 x  | 3400138  | mushroom head screw square neck M10x30 DIN 60 |

Item: **021125701**  
K&K Platform combination

Order:

1298800

Location: Building Project:

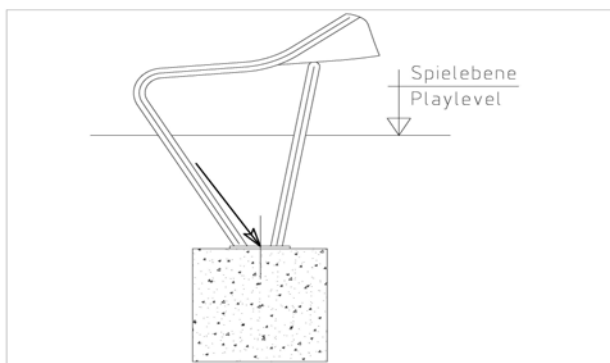
**1 x SFWZ000001 Security TORX wrench TR40**

| per SC | Total | K&K-Item | Marking                   |
|--------|-------|----------|---------------------------|
| 1 x    | 1 x   | 3490081  | Security TORX wrench TR40 |



**1 x SFAS1070006 Slide run-out section (up to 2,00 m) on foundation stone bolt assembly**

| per SC | Total | K&K-Item | Marking  |
|--------|-------|----------|--|
| 2 x    | 2 x   | 1070365  | Set of stone bolts for slide run-out section M12x160 |



**8 x SFES1270007 Reinforcing steel for tubular pedestals**

| per SC | Total | K&K-Item | Marking                              |
|--------|-------|----------|--------------------------------------|
| 1 x    | 8 x   | 2130000  | Reinforcing steel Ø 10 x 310 DIN 488 |



**2 x SFRS1270002 Reinforcing steel for stainless steel posts**

| per SC | Total | K&K-Item | Marking                              |
|--------|-------|----------|--------------------------------------|
| 1 x    | 2 x   | 2130000  | Reinforcing steel Ø 10 x 310 DIN 488 |



Item: **021125701**

Order:

1298800

K&K Platform combination

Location:

Building Project:

**1 x SFWZ0000012 Lubricating metal (30g box) incl. brush**



| per SC | Total | K&K-Item | Marking                     |
|--------|-------|----------|-----------------------------|
| 1 x    | 1 x   | 5300039  | Lubricating metal box 30g   |
| 1 x    | 1 x   | 5200026  | Brush for lubricating metal |