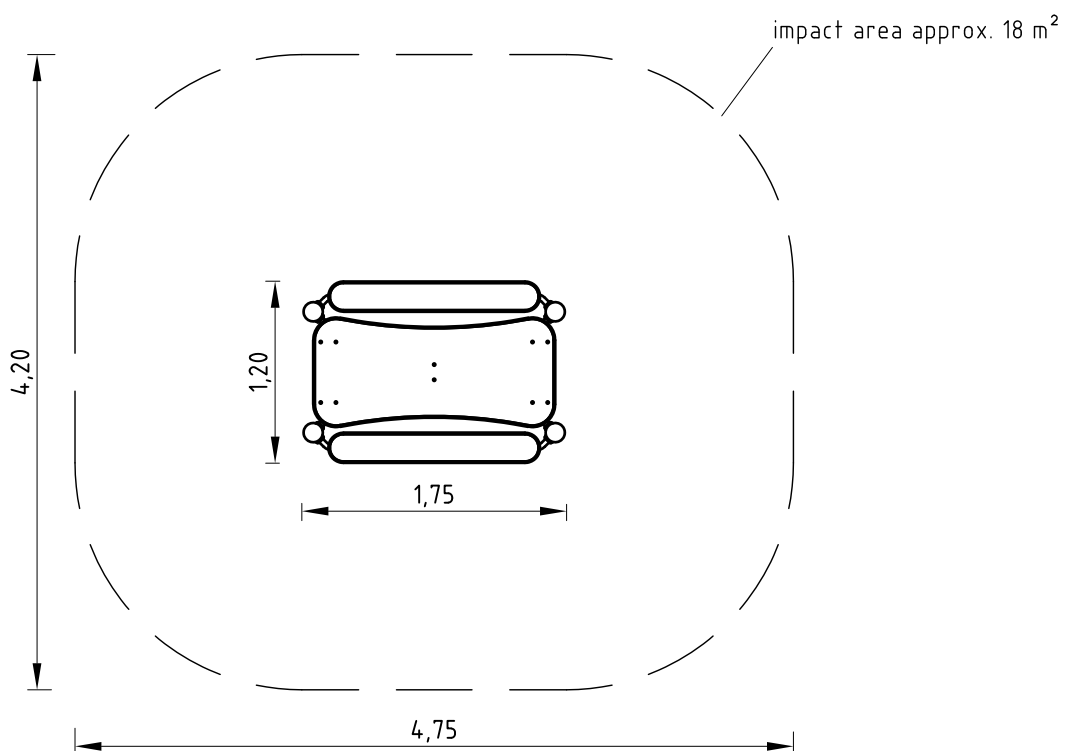
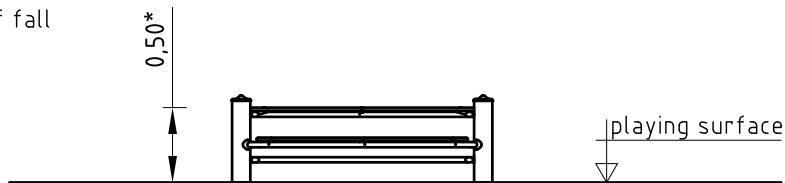
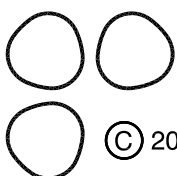


*max. free height of fall



1. Assign a location for the pre-assembled device considering the (minimum) space requirements.
2. According to maintenance instructions, check all screw connections after 4-5 weeks and retighten, if necessary.

Please ensure that all special tools supplied (e.g. Allen key for secured Allen screws etc.) and all specific documents which are or may be useful for safety management acc. to EN 1176-7 (e.g. invoice, delivery note, order acknowledgement, installation instructions, maintenance instructions) are forwarded to the persons responsible.



© 2012

Kaiser & Kühne
Freizeitgeräte GmbH
D-27324 Eystrup
Telefon 04254 / 93150
Telefax 04254 / 931524

Date/Name

Gez. 14.11.2012 EB

Geänd. 22.11.2017 EB

Scale

1:50/A4

Item-No.

0-60144-500

Designation

K&K (mobile) work table

Drawing

Installation

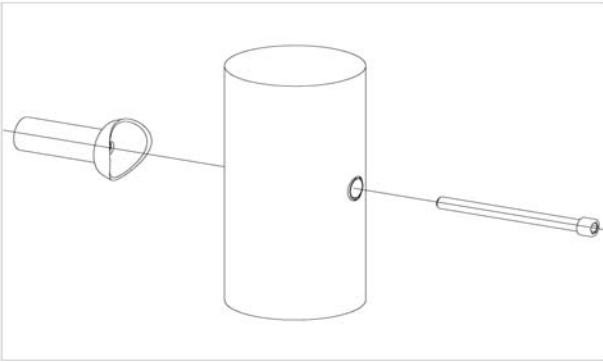
Item: **060144500**
K&K Work table (mobile)

Order:

1293133

Location: Building Project:

12 x SFES1210001 Standard bolting of attachment parts (except platforms) to stainless steel posts



per SC	Total	K&K-Item	Marking
1 x	12 x	2030168	Cheese head screw with pin M12x140

1 x SFWZ0000009 Hexagon insert socket driver 10mm 1/2" with borehole for Pin



per SC	Total	K&K-Item	Marking
1 x	1 x	2030170	Hexagon insert socket driver 10 mm 1/2" with drill hole for Pin

1 x SFWZ0000014 Lubricating metal, bag (4g)



per SC	Total	K&K-Item	Marking
1 x	1 x	5300024	Metaflux fitting lubricant 2x4 g