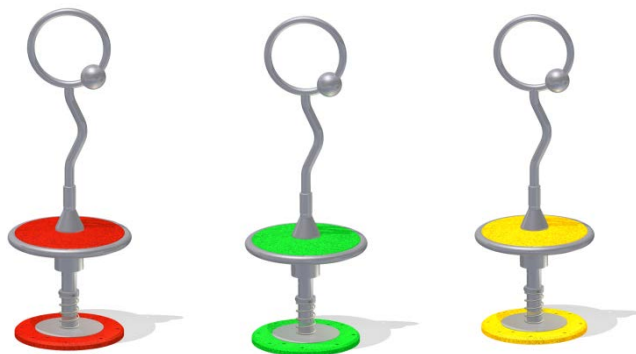
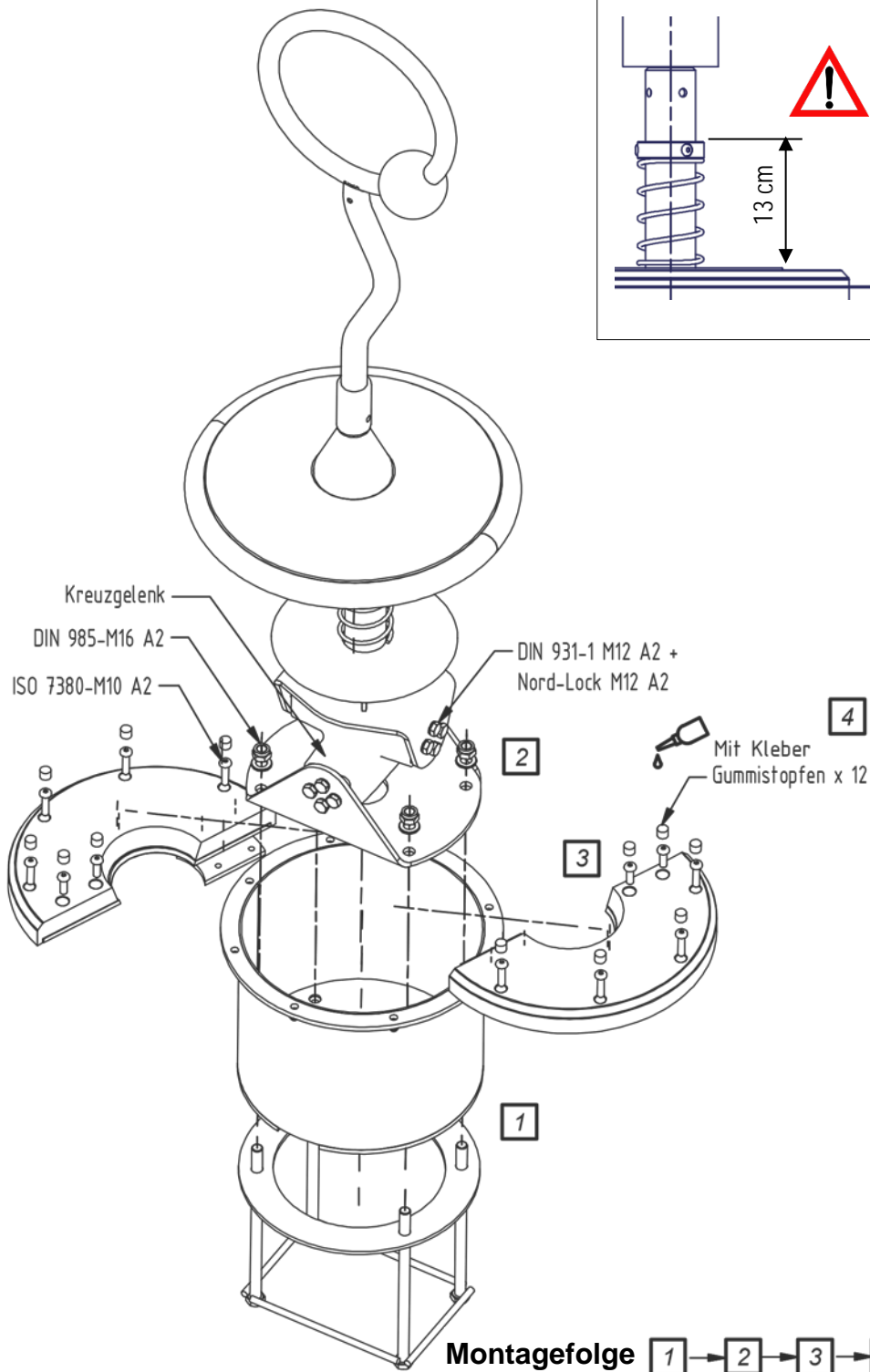
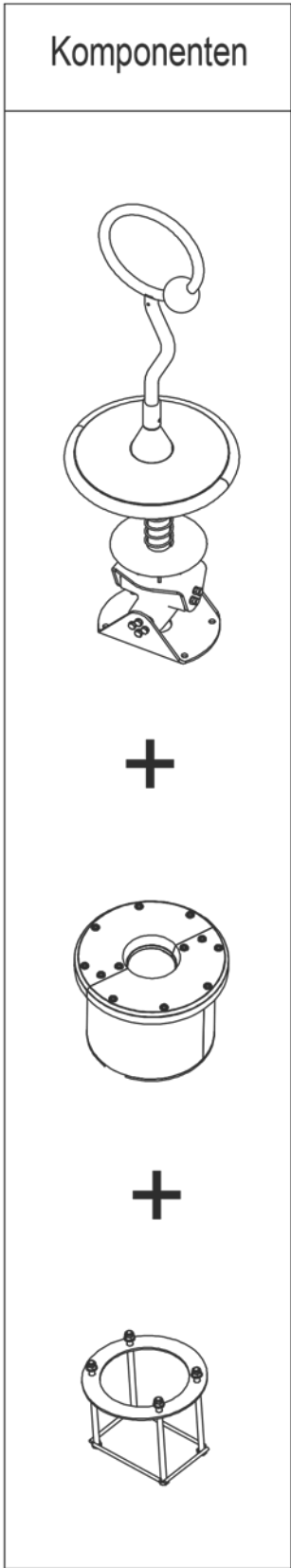
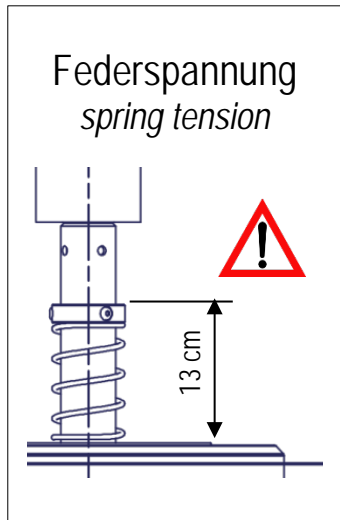


INSTALLATION

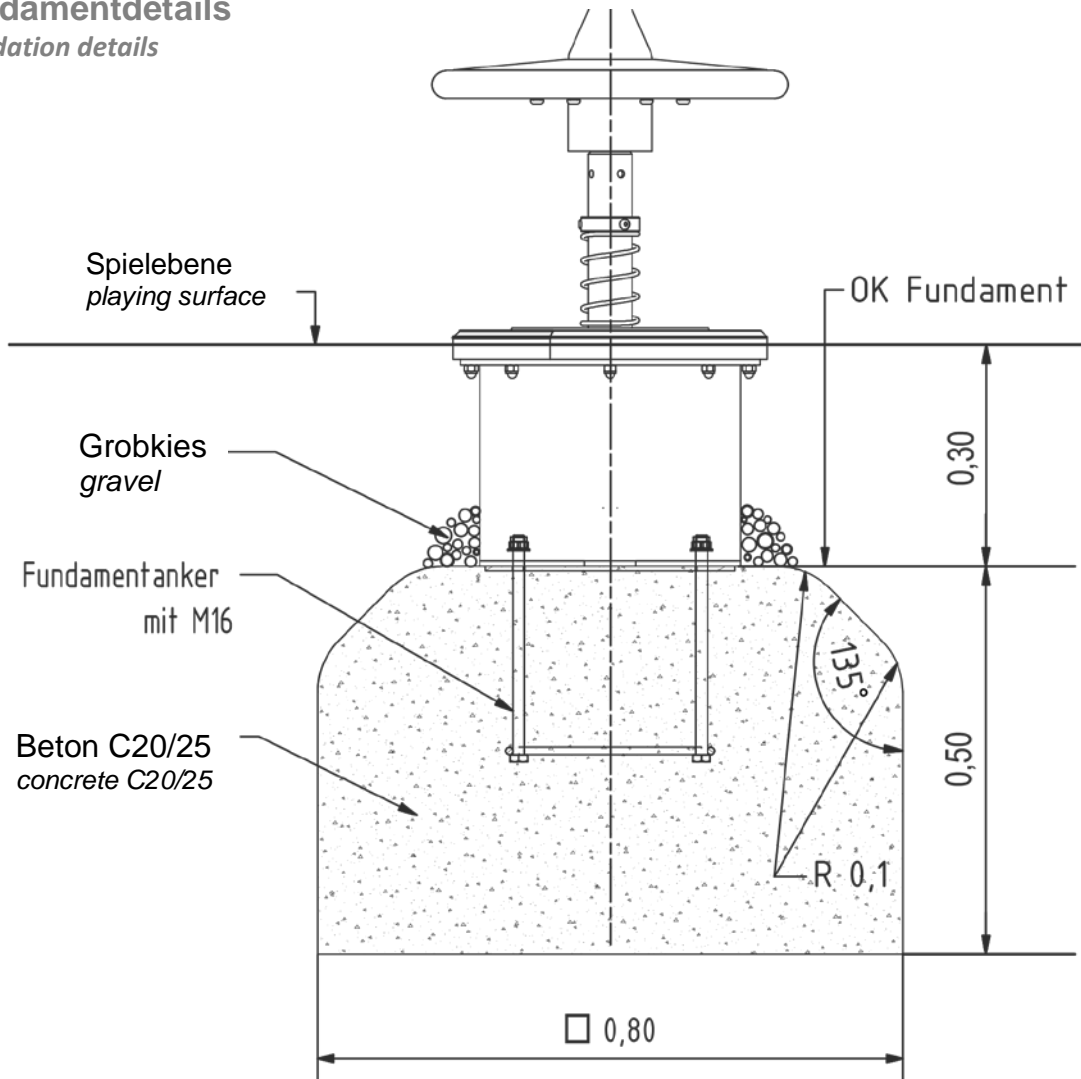
Tango Dancer
0-43070-000












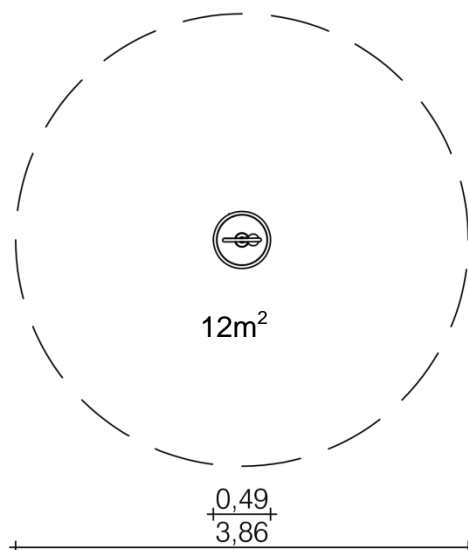
Montagefolge 1 → 2 → 3 → 4
Installation sequence

Fundamentdetails
foundation details



| | | | | | | |
|---|--|---|---|---|---|---|
|  |  |  |  |  |  |  |
| 6+ | 0,45 m | 1,32 m | 54 71 kg | 2 P 0,5 h | 1 0,34 m ³ | |

Fundamentplan
foundation plan



**Stoßdämpfendes
Bodenmaterial
erforderlich**

*impact attenuating
surfacing necessary*