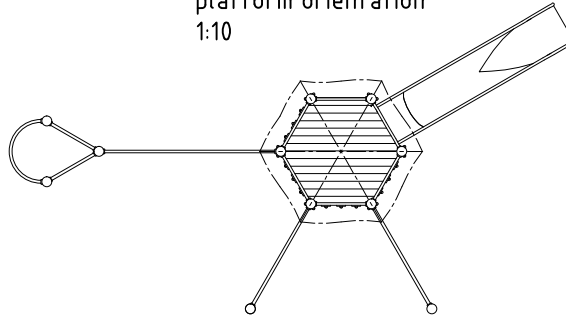


# Installation

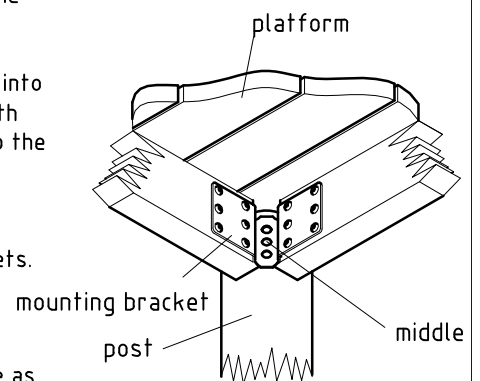
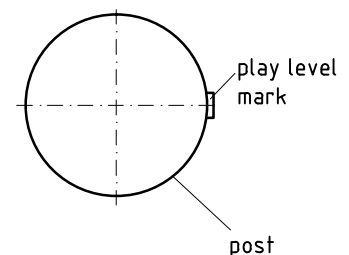
Item-No.	Description	Scale	Date	Page
0-21634-701	K&K Play structure	1:50	06/14 EB	1/5

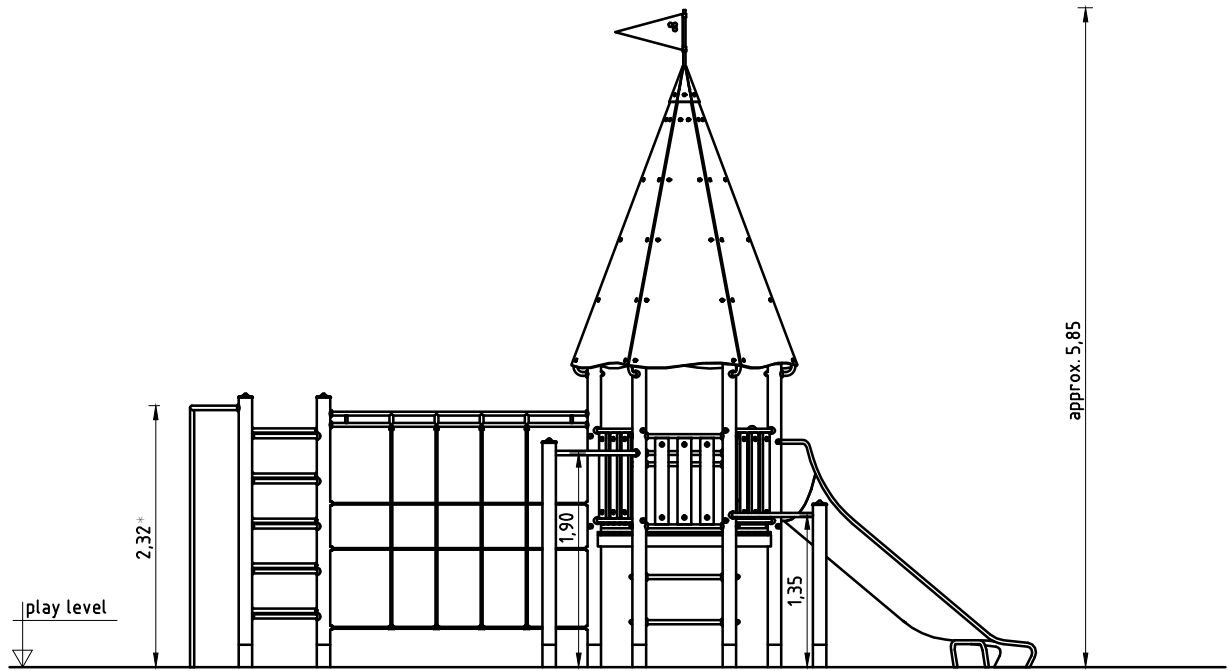
platform orientation  
1:10

1. Assign a device location considering the space requirements (impact area). Slide direction recommended: north-east or in half-shade of trees.
2. Excavate soil for foundations, according to drawing.  
Please note: To achieve maximum stability and a safe installation, a moderate level of soil solubility is required.
3. Pour in a drain layer of gravel of approx. 10 cm thickness between the bottom of the tubular pedestals and plain base of foundation.
4. Insert reinforcing steel into the corresponding holes of the tubular pedestals.
5. Place posts type A (see foundation layout) according to the corresponding number into the respective foundation hole. Play level mark (=aluminium blind rivet) complies with the installation depth. Align every post by means of the play level mark facing into the same direction (see detail or foundation layout).
6. **For installation of the pre-assembled components and/or single parts, the screws slightly have to be lubricated with installation paste !**  
Screw together platform and posts by using the middle hole in the mounting brackets.  
**Tighten all screws after having aligned all components.**  
Install the slide exit with an inclination of 5° in sliding direction.  
Screw connections see details in attached list.  
We recommend not to insert the protection caps enclosed before first maintenance as they are only suitable for one-time use (see description in item No. 9).
7. Grout foundations with compressed concrete C20/25, chamfer and round off the edges, cover the foundations with a surface which meets the requirements for impact attenuation so that its critical fall height is equal to or greater than the maximum free height of fall of the equipment (acc. to EN 1176-1). The run-out section fall zone must have surfacing with a critical fall height of at least 1000 mm (acc. to EN 1176-3).
8. Release for play after concrete foundations have set.
9. According to maintenance instructions, check all screw connections after 4-5 weeks and retighten, if necessary. Afterwards cover the screw heads with protection caps as follows: Insert grey protection caps into the countersunk drills (e.g. for platforms). The non-countersunk drills (e.g. for railings or a slide) have to be covered with the red protection caps by placing them onto the base part. Strongly pound them (e.g. by using a plastic mallet) until they audibly snap into the base part groove.

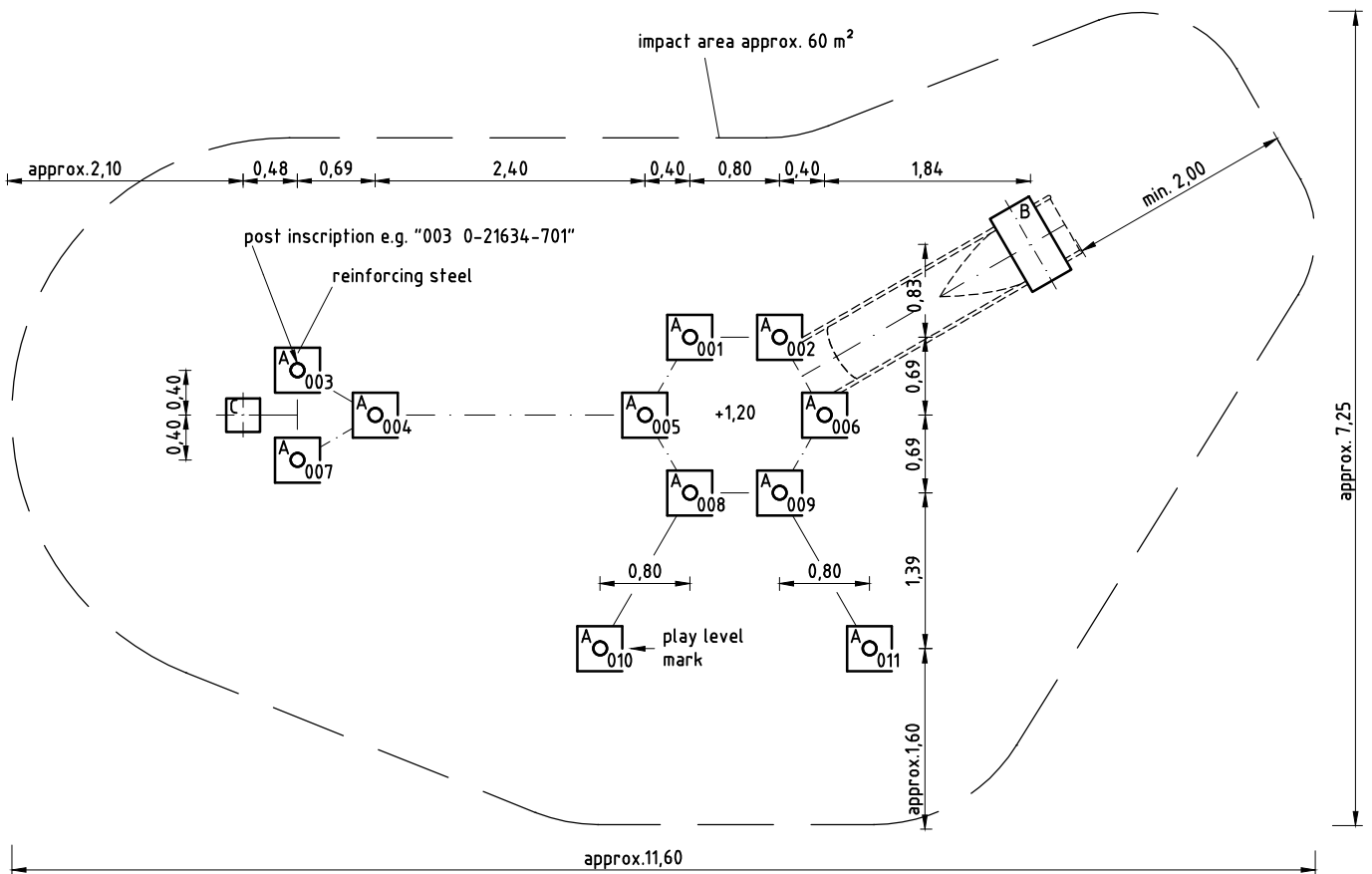
Please ensure that all special tools supplied (e.g. Allen key for secured Allen screws etc.) and all specific documents which are or may be useful for safety management acc. to EN 1176-7 (e.g. invoice, delivery note, order acknowledgement, installation instructions, maintenance instructions) are forwarded to the persons responsible.

**Necessarily insert all attachment parts before tightening the screws. It is NOT possible to insert them afterwards.**

platform fastening  
1:10play level mark  
scale 1:5



\*max. free height of fall

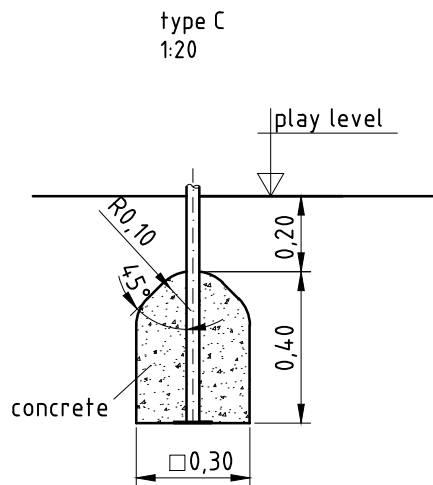
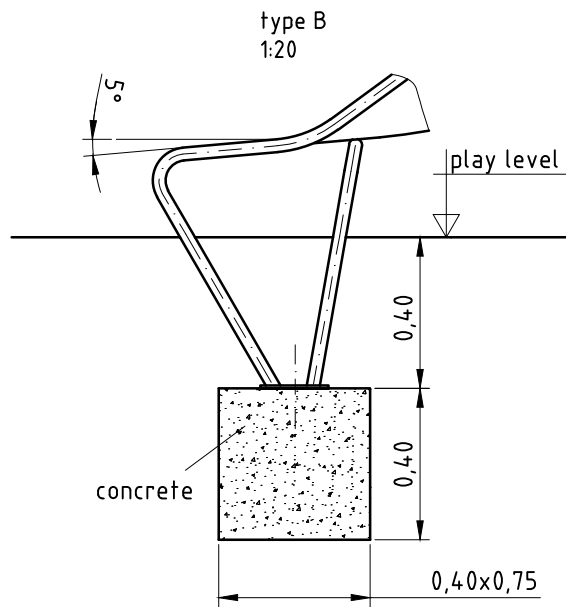
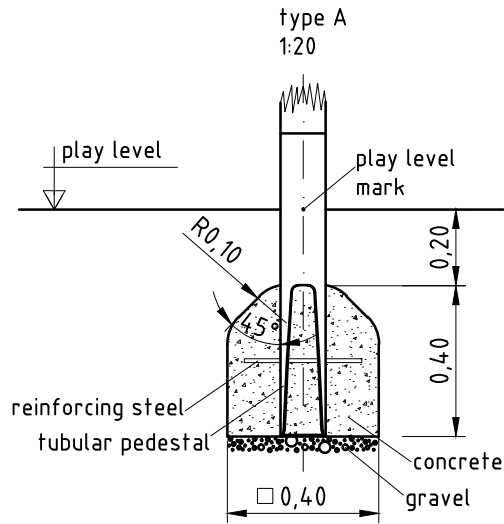


**Please note:**

Due to the format size, this installation is not to scale (apart from single details).

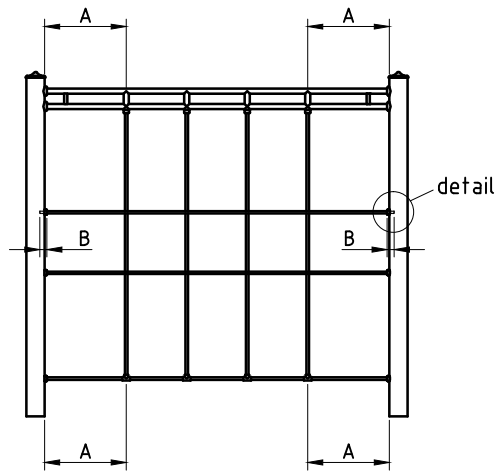
Please refer to the dimensions indicated.

An installation documentation scale 1:50 can be submitted on request.



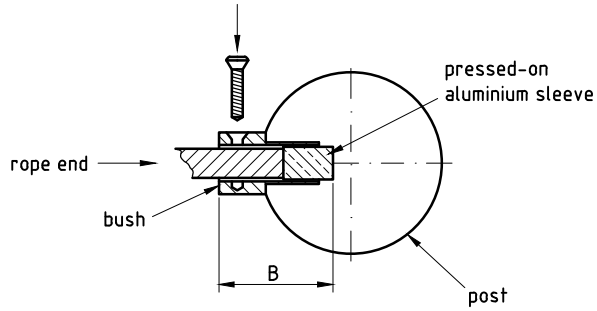
Installation of climbing net  
1:50

Insert horizontal rope ends into the bushes until the metal sleeve pressed-on the end is located behind the lateral drill. Center the net with average distances A and B.



top view detail  
1:5

oval-head countersunk screw-6,3x32-zinc-coated (5-star-Torx drive)



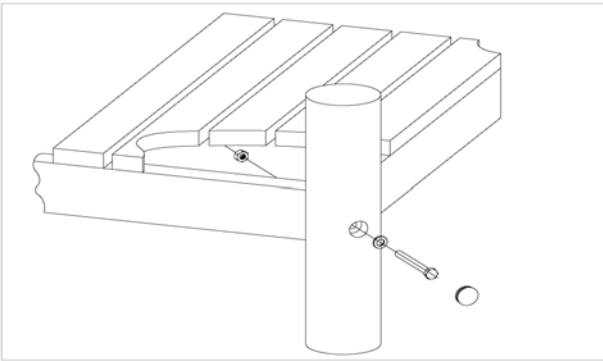
Item: **0-21634-701**  
 K&K Play structure  
 Location:

Order:

1298821

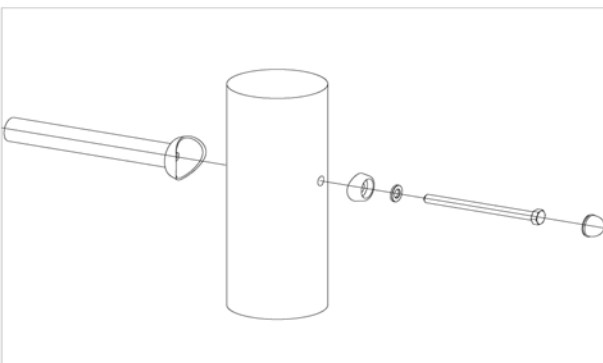
Building Project:

**6 x SFRS1200001 Platform at robinia posts, nut on platform side**



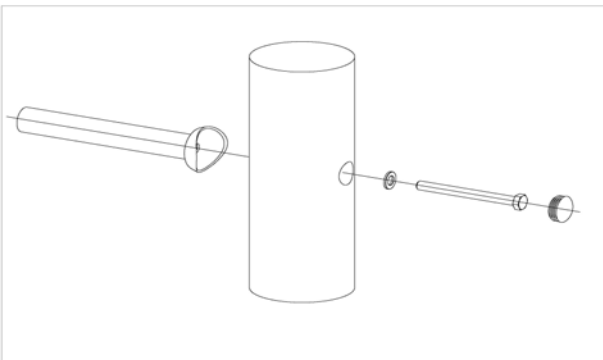
per SC	Total	K&K-Item	Marking
1 x	6 x	3400700	Hexagon head screw M12 x 120 DIN931 A2 with screw security coating/FGB red
1 x	6 x	3300016	Grey domed plastic cover cap SL 36 G
1 x	6 x	3430129	Washer Ø 14 DIN1440 A2
1 x	6 x	3430021	Lock nut M12 DIN985 A2

**36 x SFRS1210001 Standard bolting for parapet, handrail, slide etc. at robinia posts**



per SC	Total	K&K-Item	Marking
1 x	36 x	3300054	Screw cap - lower part, domed M12 colour red/RAL 2002 PA6
1 x	36 x	3300055	Screw cap - upper part M12 P2 colour red/RAL 2002 PA6
1 x	36 x	3430025	Washer Ø 13 DIN125 A2
1 x	36 x	3400702	Hexagon head cap screw M12 x 160 DIN931 A2 with screw security coating FGB red

**30 x SFRS1230004 Standard bolting of climbing bar, ramp etc. to robinia posts with countersunk holes**



per SC	Total	K&K-Item	Marking
1 x	30 x	3300016	Grey domed plastic cover cap SL 36 G
1 x	30 x	3430129	Washer Ø 14 DIN1440 A2
1 x	30 x	3400701	Hexagon head cap screw M12 x 130 DIN931 A2 with screw retention coating/FGB red

**1 x SFAS1240012 Tent roof 72° 6 x 0.8 m with flag HPL-plates at stay tubes and flag onto HPL-plates**



per SC	Total	K&K-Item	Marking
60 x	60 x	3430011	Hexagon cap nut M10 DIN986 A2
60 x	60 x	3430014	Washer Ø 10,5 DIN 125 B A2
6 x	6 x	3400195	Dome head security bolt M10x30 Resistorx A2
6 x	6 x	3430086	Washer Ø 10,5 DIN9021 A2
60 x	60 x	3400138	Mushroom head screw square neck M10x30 DIN 60

Item: **0-21634-701**  
K&K Play structure

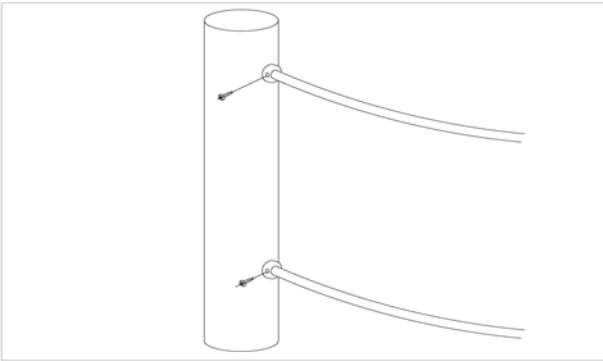
Order:

1298821

Location:

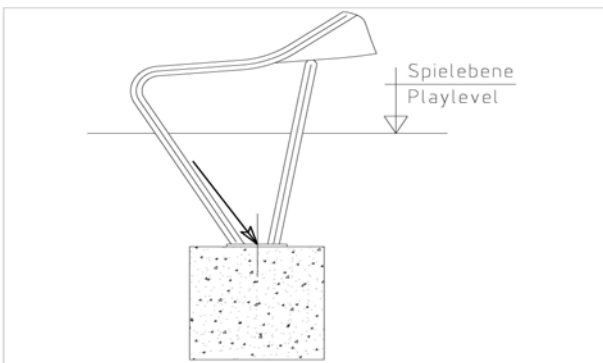
Building Project:

**6 x SFAS1230005 Climbing net/-rope at vertical post**



per SC	Total	K&K-Item	Marking
1 x	6 x	3400515	Oval head countersunk screw Torx Ø 6,3 x 32 galv.

**1 x SFAS1070006 Slide run-out section (up to 2,00 m) on foundation stone bolt assembly**



per SC	Total	K&K-Item	Marking
2 x	2 x	1070365	Set of stone bolts for slide run-out section M12x160

**11 x SFES1270007 Reinforcing steel for tubular pedestals**



per SC	Total	K&K-Item	Marking
1 x	11 x	2130000	Reinforcing steel Ø 10 x 310 DIN 488

**1 x SFWZ0000001 Security TORX wrench TR40**

per SC	Total	K&K-Item	Marking
1 x	1 x	3490081	Security TORX wrench TR40



Item: **0-21634-701**  
K&K Play structure

Order:

1298821

Location:

Building Project:

**1 x SFWZ000010 Security bit TORX PLUS IPR 30 x 25**

per SC	Total	K&K-Item	Marking
1 x	1 x	3490038	Security bit TORX PLUS IPR 30 x 25



**2 x SFWZ000012 Lubricating metal (30g box) incl. brush**

per SC	Total	K&K-Item	Marking
1 x	2 x	5300039	Lubricating metal box à 30g
1 x	2 x	5200026	Brush for lubricating metal

