

1. Assign a location for the equipment considering the space requirements.
2. Excavate soil for foundations, according to drawing.
Please note: To achieve maximum stability and safe installation, a moderate level of soil solubility is required.
3. Pour in a drain layer of gravel of approx. 10 cm thickness between the bottom of the tubular pedestals and plain base of foundation.
4. Insert reinforcing steel into the corresponding holes of the tubular pedestals.
5. Place posts according to the corresponding number into the respective foundation hole. Play level mark (= aluminium blind rivet) complies with the installation depth. Align every post by means of the play level mark facing into the same direction (see detail or foundation layout).

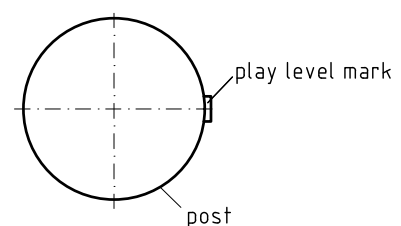
**6. For installation of the pre-assembled components and/or single parts, the screws slightly have to be lubricated with installation paste!
Tighten all screws after having aligned all components.**

Screw connections see details in attached list.

7. Grout foundations with compressed concrete C20/25, chamfer and round off the edges, cover with a surface which meets the requirements for impact attenuation so that the critical fall height of the surfacing is equal to, or greater than, the free height of fall of the equipment (acc. to EN 1176-1).
8. Release for play after concrete foundations have set.
9. Check all screw connections acc. to maintenance instructions after 4-5 weeks and retighten, if necessary. Afterwards cover the screw heads with protection caps.

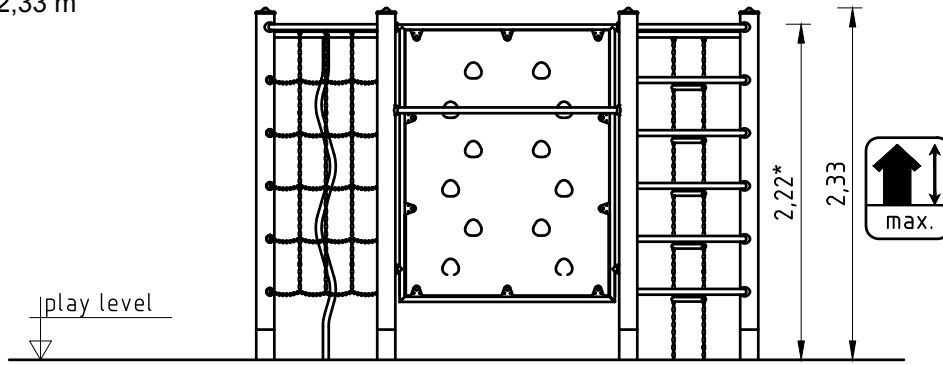
Please ensure that all special tools (e.g. special Allen key for secured Allen screws etc.) and all specific documents which are or may be useful for safety management acc. to EN 1176-7 (e.g. invoice, delivery note, order acknowledgement, installation instructions, maintenance instructions) are forwarded to the persons responsible.

play level mark
1:5



**Necessarily insert all additional units (climbing wall, rungs, horizontal bars) before tightening the screws.
It is not possible to insert them afterwards!**

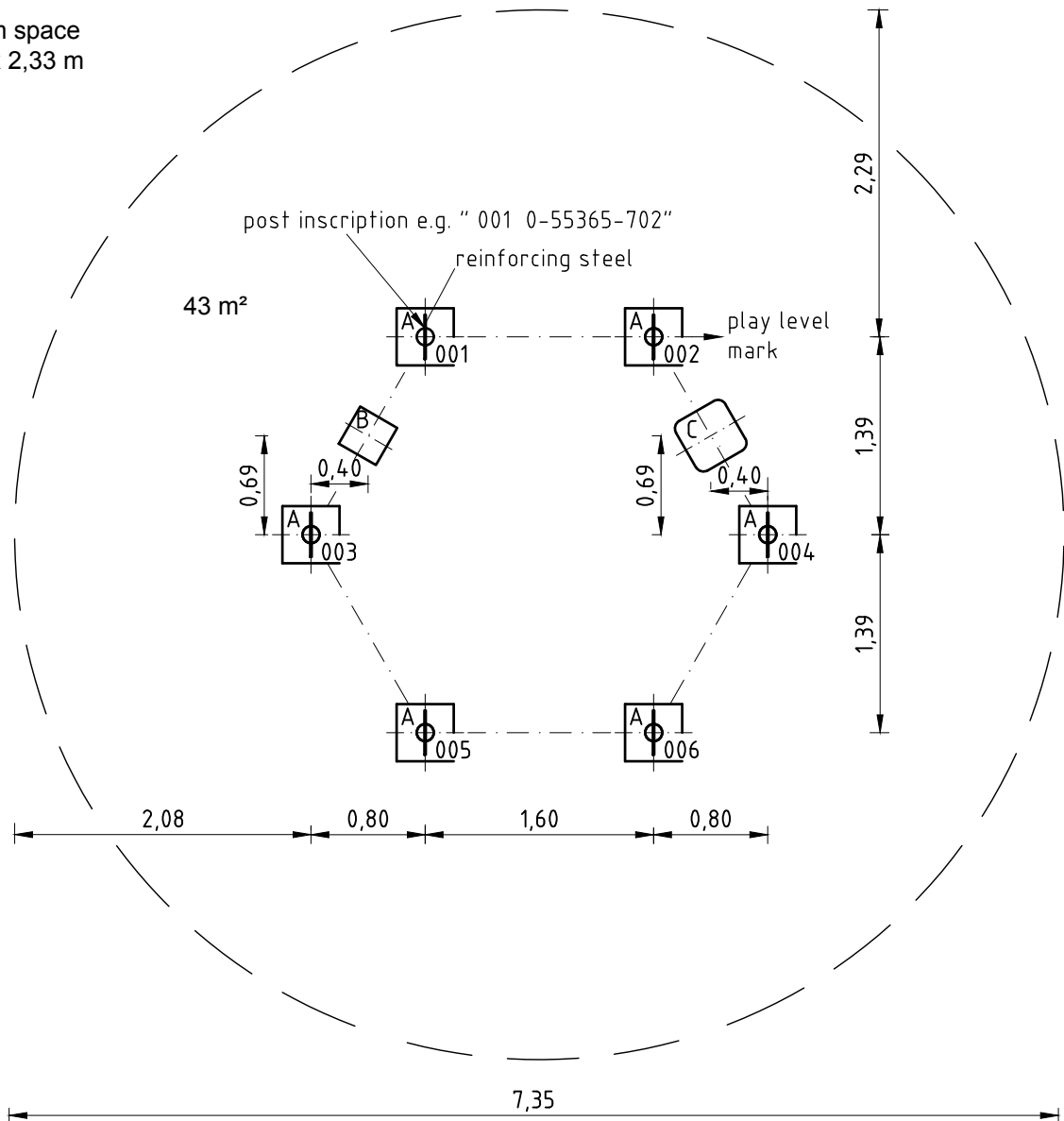
Space occupied by equipment
3,33 x 2,90 x 2,33 m

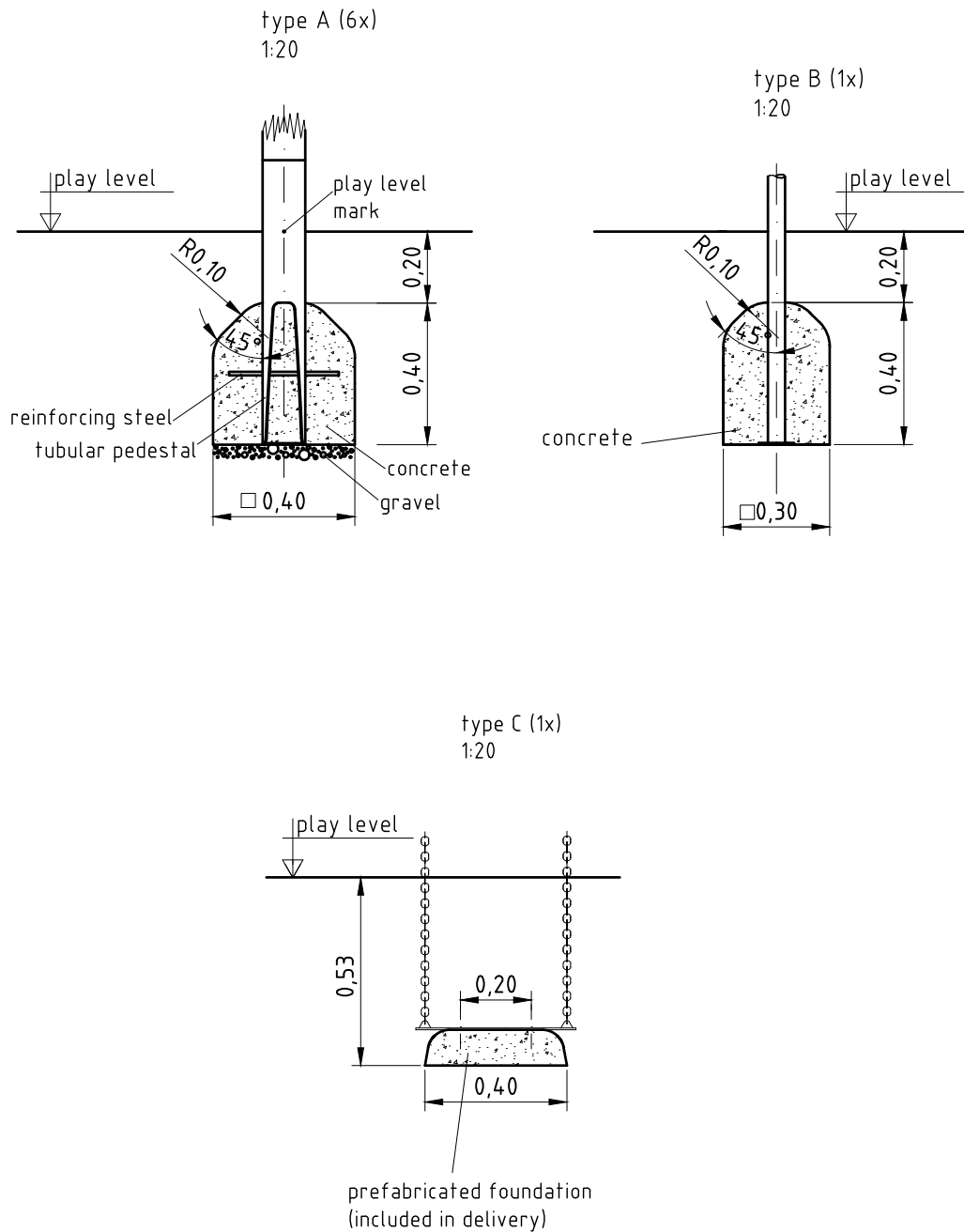


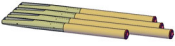

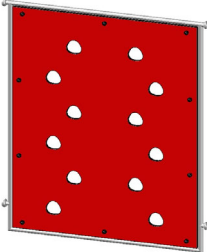
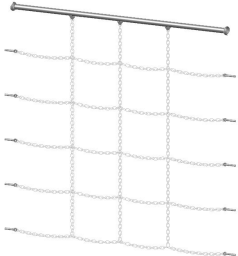

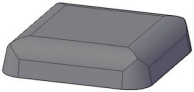
dimension mark - maximum free height of fall

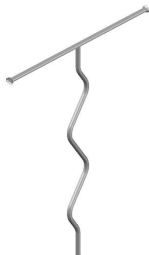
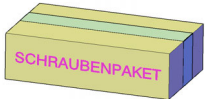


Minimum space
Ø 7,35 x 2,33 m





<u>Parts list</u>		055365702	GB
item no.	quantity	description	image
	1	set of (6 pcs.) of laminated Robinia posts Ø 120 equipped with stainless steel tubular pedestal short length = 600 mm / with bottom cut-outs and protective stainless steel post cap	
1210360	7	stainless steel horizontal bar 1,60 m	
1230184	1	climbing wall (1,60) red HPL with cut-outs	
1230022	1	stainless steel chain net grid dimension 1,60 m	
1230023	1	chain ladder 1,60 m, installation height 2,15 m	
015150	1	pre-fabricated concrete foundation (for chain ladder)	

<u>Parts list</u>		055365702	GB
item no.	quantity	description	image
1230024	1	wave-like vertical climbing pole 2,15 m	
1299003	1	fastening kit for 0-55365-702	

Item: **055360702**

Order:

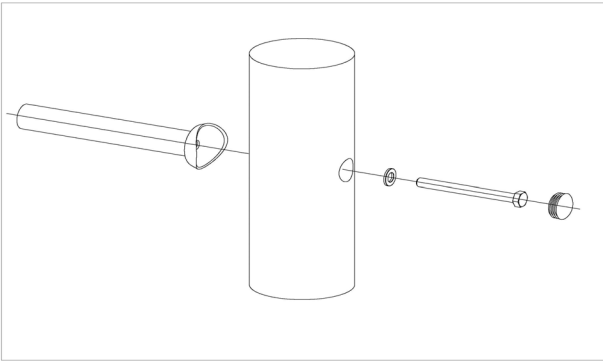
1299003

K&K Hexagonal combination

Location:

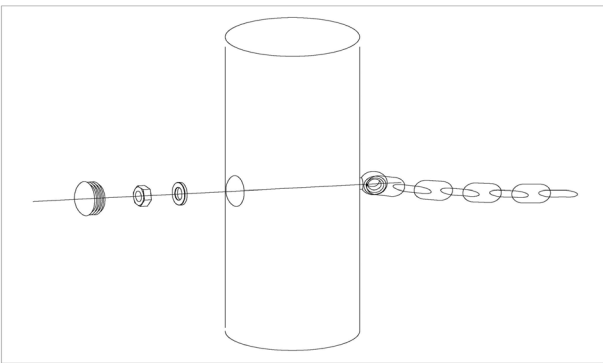
Building Project:

24 x SFRS1230004 Standard bolting of climbing poles, ramps etc. to Robinia posts with countersunk holes



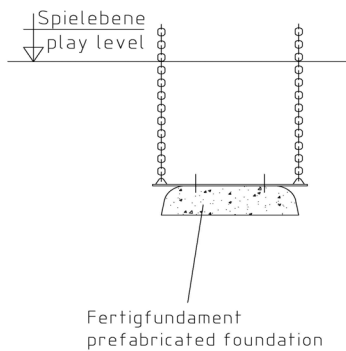
per SC	Total	K&K-Item	Marking
1 x	24 x	3300016	Grey domed plastic cover cap SL 36 G
1 x	24 x	3430129	Washer Ø 14 DIN1440 A2
1 x	24 x	3400701	Hexagon head cap screw M12 x 130 DIN931 A2 with screw retention coating/FGB red

10 x SFRS1230001 Chain net at robinia post (countersunk hole)



per SC	Total	K&K-Item	Marking
1 x	10 x	3300016	Grey domed plastic cover cap SL 36 G
1 x	10 x	3430021	Lock nut M12 DIN985 A2
1 x	10 x	3430129	Washer Ø 14 DIN1440 A2

1 x SFAS1230012 Flat steel of chain ladder on foundation



per SC	Total	K&K-Item	Marking
2 x	2 x	3430025	Washer Ø 13 DIN125 A2
2 x	2 x	3400018	Hexagon screw M12 x 25 DIN933 A2

6 x SFES1270007 Reinforcing steel for tubular pedestals



per SC	Total	K&K-Item	Marking
1 x	6 x	2130000	Reinforcing steel Ø 10 x 310 DIN 488

Item: **055360702**

Order:

1299003

K&K Hexagonal combination

Location:

Building Project:

2 x SFWZ0000014 Lubricating metal, bag (4g)

per SC	Total	K&K-Item	Marking
1 x	2 x	5300024	Metaflux fitting lubricant 2x4 g

