

Installation

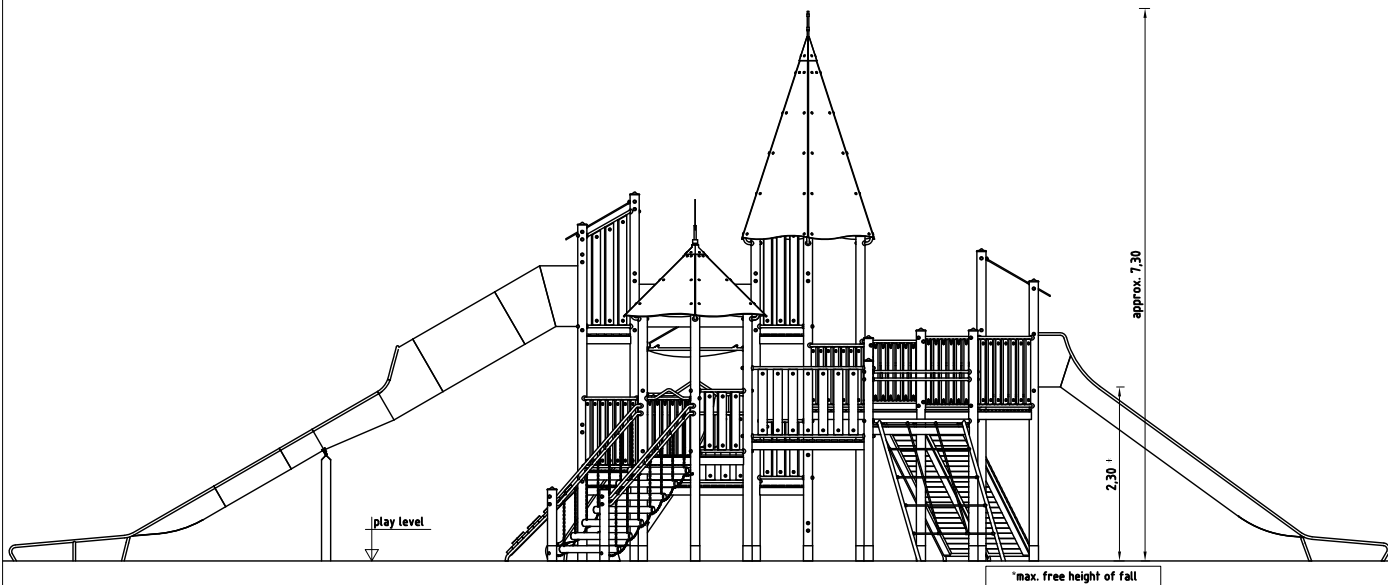
Item-No.
0-23840-700

Description
K&K Play castle

Scale
1:100

Date
06/13 ME

Page
1/5



1. Assign a device location considering the space requirement (impact area). Slide direction recommended: north-east or in half-shade of trees.
2. Excavate soil for foundations, according to drawing.
Please note: To achieve maximum stability and a safe installation, a moderate level of soil solubility is required.
3. Pour in a drain layer of gravel of approx. 10 cm thickness between the bottom of the tubular pedestals and plain base of foundation.
4. Place posts type A (see foundation layout) according to the corresponding number into the respective foundation hole. Play level mark (=aluminium blind rivet) complies with the installation depth. Align every post by means of the play level mark facing into the same direction (see detail or foundation layout).

5. For installation of the pre-assembled components and/or single parts, the screws slightly have to be lubricated with installation paste!

Screw together platforms and posts by using the respective hole in the mounting brackets (according to chart).

Tighten all screws after having aligned all components.

Install the slide exit with an inclination of 5° in sliding direction.

Screw connections see details in list of screw cases attached.

We recommend not to insert the protection caps enclosed before first maintenance as they are only suitable for one-time use (see description in item No. 8).

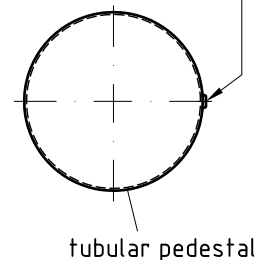
6. Grout foundations with compressed concrete C20/25, chamfer and round off the edges, cover the foundations with a surface which meets the requirements for impact attenuation so that the critical fall height of the surfacing is equal to, or greater than, the free height of fall of the equipment (acc. to EN 1176-1).
7. Release for play after concrete foundations have set.
8. According to maintenance instructions, check all screw connections after 4-5 weeks and retighten, if necessary. Afterwards cover the screw heads with protection caps as follows: Insert grey protection caps into the countersunk drills (e.g. for platforms). The non-countersunk drills (e.g. for railings or a slide) have to be covered with the red protection caps by placing them onto the base part. Strongly pound them (e.g. by using a plastic mallet) until they audibly snap into the base part groove.

Please ensure that all special tools supplied (e.g. Allen key for secured Allen screws etc.) and all specific documents which are or may be useful for safety management acc. to EN 1176-7 (e.g. invoice, delivery note, order acknowledgement, installation instructions, maintenance instructions) are forwarded to the persons responsible.

**Necessarily insert all attachment parts before tightening the screws.
It is NOT possible to insert them afterwards.**

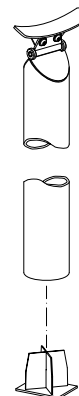
play level mark
1:5

play level mark
(=aluminium blind rivet)



**Operation
Base to insert into slide
support
1:20**

as follows:
Insert base into stainless steel post.



platform orientation/numbers
1:100

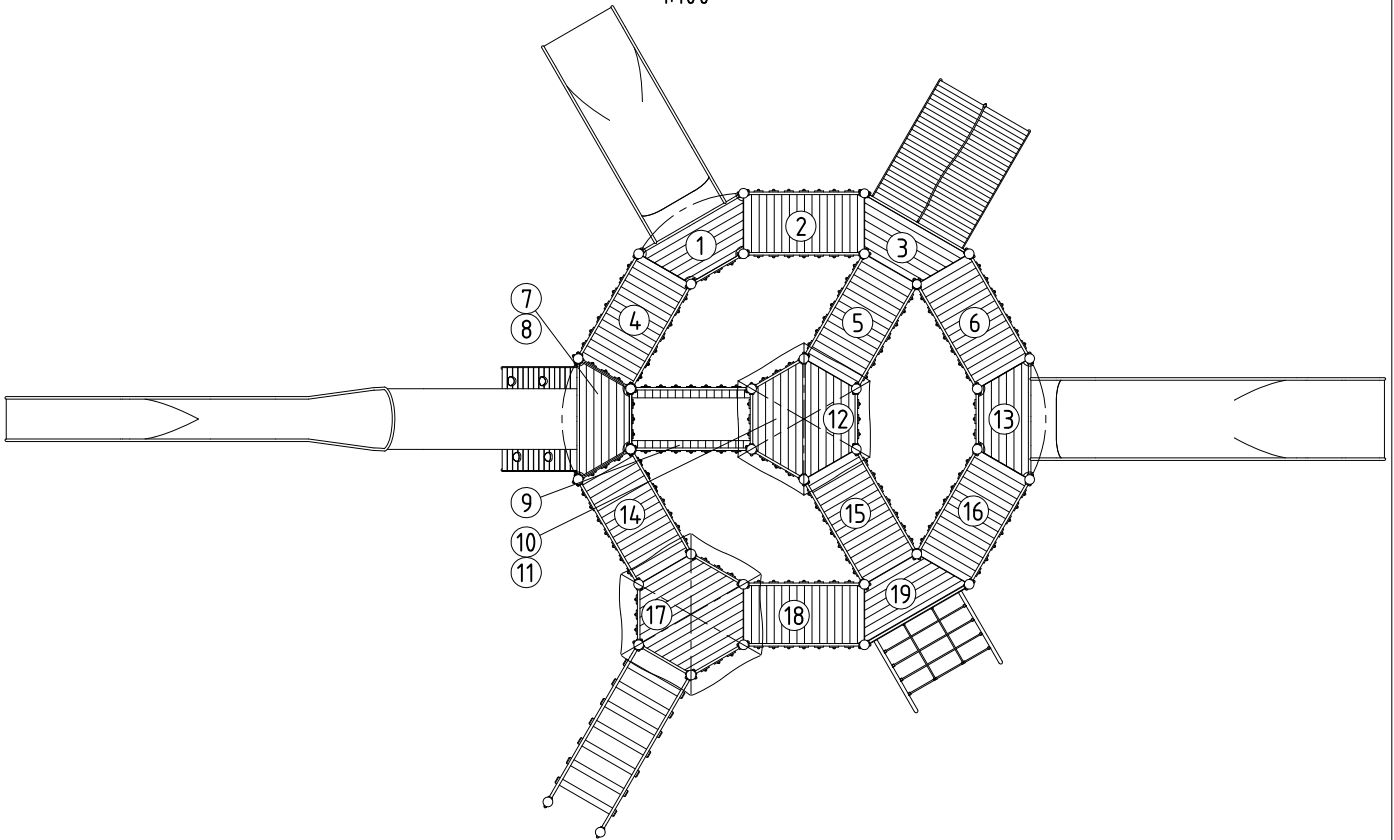
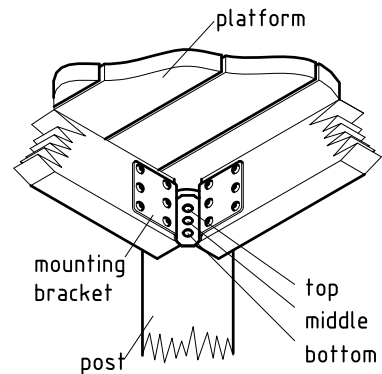


chart platform fastening

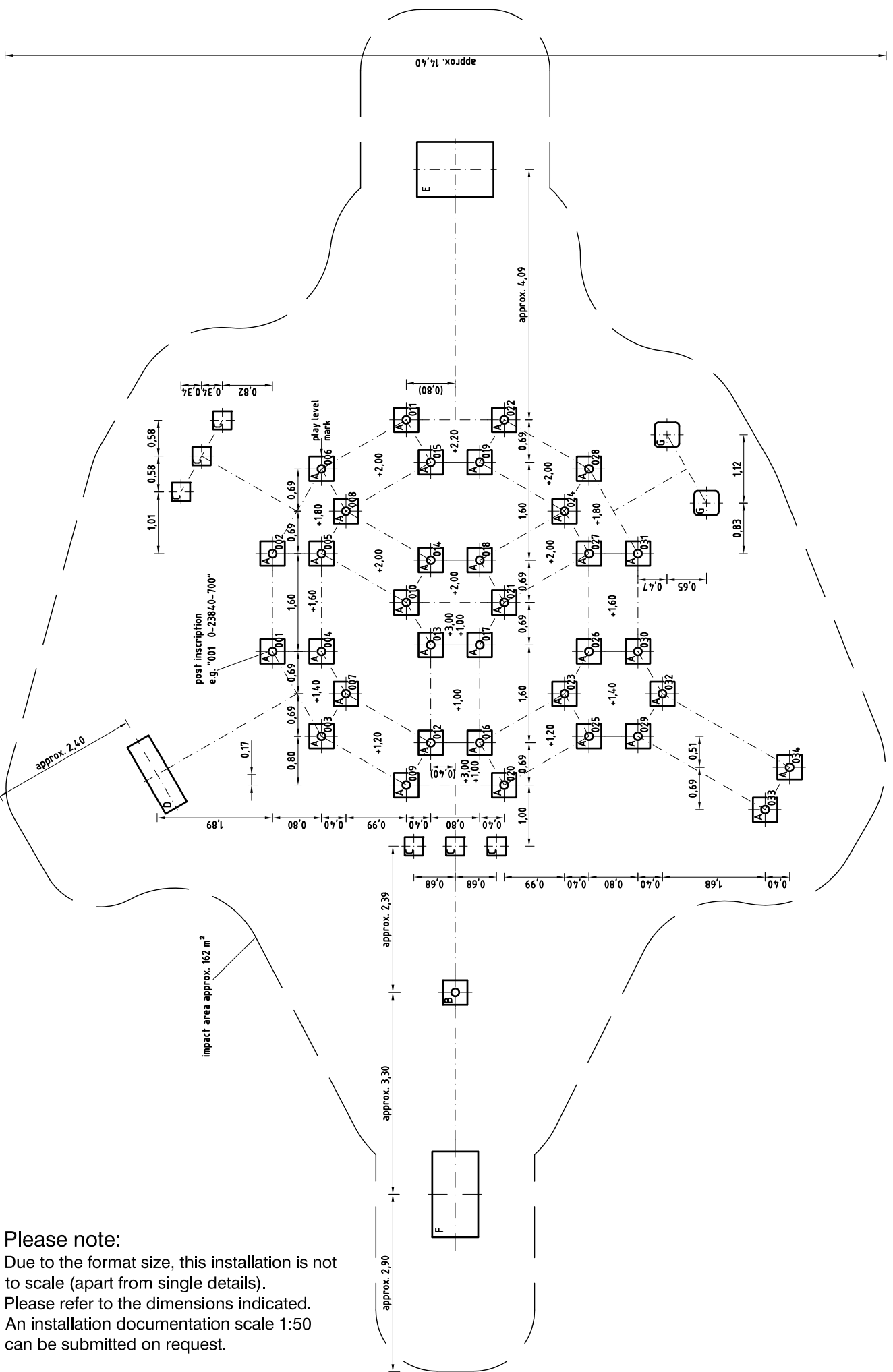
platform-nr.	fastening hole		
	above	middle	below
1		x	
2		x	
3		x	
4		x	
5	x		
6			x
7		x	
8		x	
9	x		
10		x	
11		x	
12		x	
13		x	
14		x	
15	x		
16			x
17		x	
18		x	
19		x	

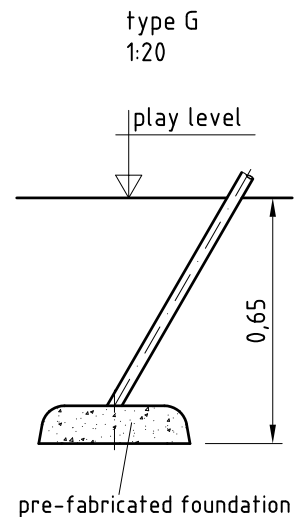
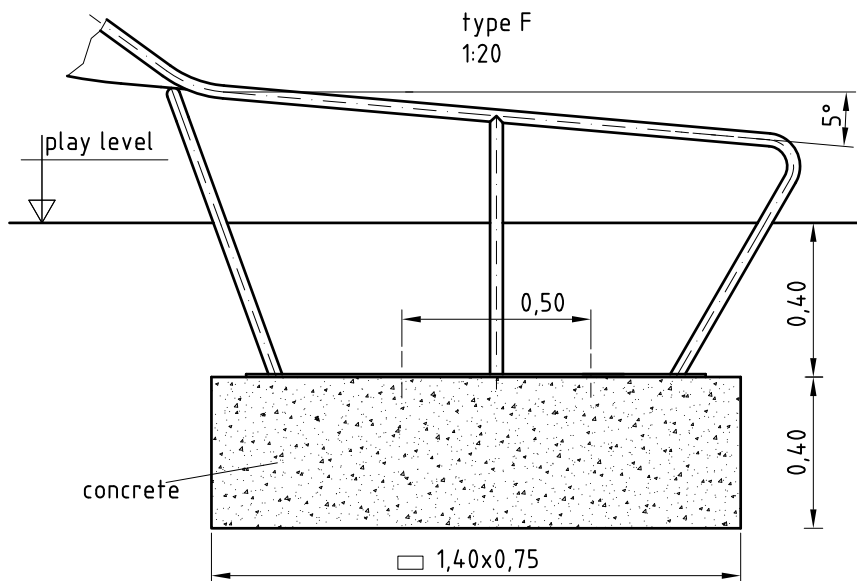
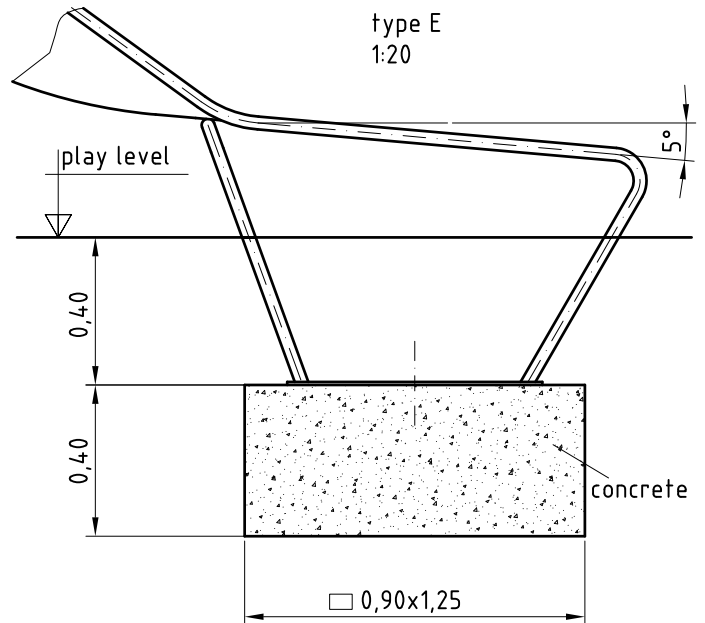
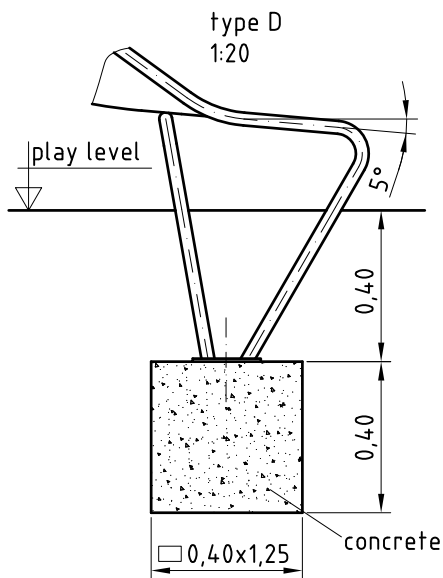
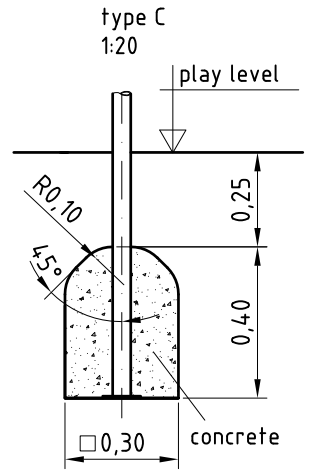
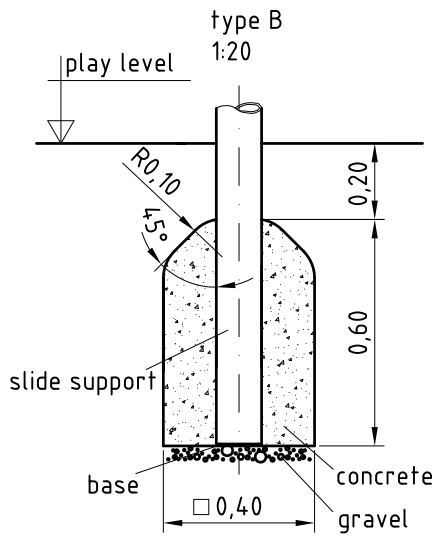
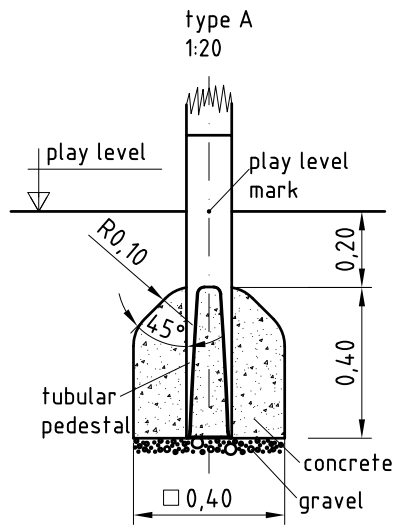
platform fastening
1:10



Please note:

Due to the format size, this installation is not to scale (apart from single details). Please refer to the dimensions indicated. An installation documentation scale 1:50 can be submitted on request.





Installation

Item-No.
0-23840-700

Description
K&K Play castle

Scale
1:20

Date
06/13 ME

Page
5/5

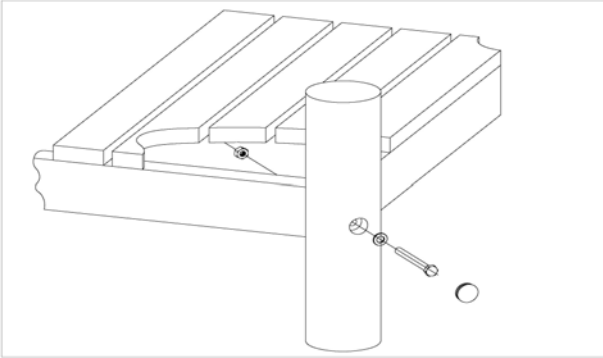
Item: 0-23840-700
 K&K Play castle

Order:

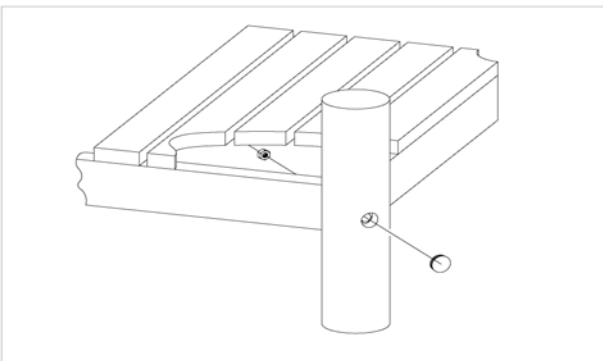
1298840

Location:

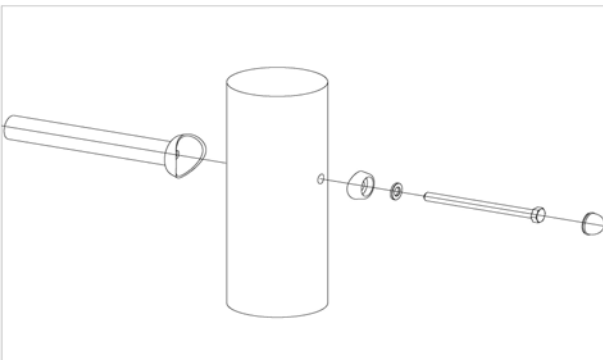
Building Project:

74 x SFRS1200001 Platform at robinia posts, nut on platform side


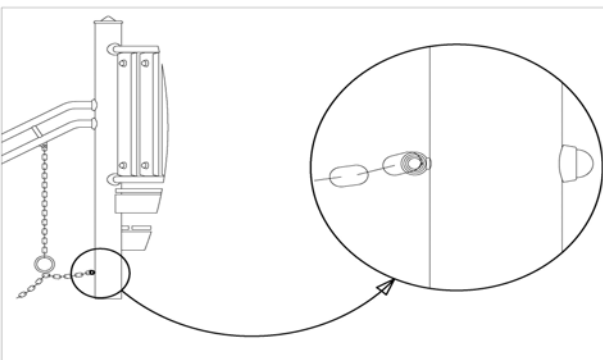
per SC	Total	K&K-Item	Marking
1 x	74 x	3400700	Hexagon head screw M12 x 120 DIN931 A2 with screw security coating/FGB red
1 x	74 x	3300016	Grey domed plastic cover cap SL 36 G
1 x	74 x	3430129	Washer Ø 14 DIN1440 A2
1 x	74 x	3430021	Lock nut M12 DIN985 A2

4 x SFRS1200004 Platform at robinia post screw fixed by factory


per SC	Total	K&K-Item	Marking
1 x	4 x	3300016	Grey domed plastic cover cap SL 36 G
1 x	4 x	3430021	Lock nut M12 DIN985 A2

220 x SFRS1210001 Standard bolting for parapet, handrail, slide etc. at robinia posts


per SC	Total	K&K-Item	Marking
1 x	220 x	3300055	Screw cap - upper part M12 P2 colour red/RAL 2002 PA6
1 x	220 x	3300054	Screw cap - lower part, domed M12 colour red/RAL 2002 PA6
1 x	220 x	3430025	Washer Ø 13 DIN125 A2
1 x	220 x	3400702	Hexagon head cap screw M12 x 160 DIN931 A2 with screw security coating FGB red

4 x SFRS1200009 Timber-course connecting chain for totter bridge/ totter bow to posts


per SC	Total	K&K-Item	Marking
1 x	4 x	3300055	Screw cap - upper part M12 P2 colour red/RAL 2002 PA6
1 x	4 x	3430021	Lock nut M12 DIN985 A2
1 x	4 x	3430025	Washer Ø 13 DIN125 A2
1 x	4 x	3300054	Screw cap - lower part, domed M12 colour red/RAL 2002 PA6

Item: **0-23840-700**

Order:

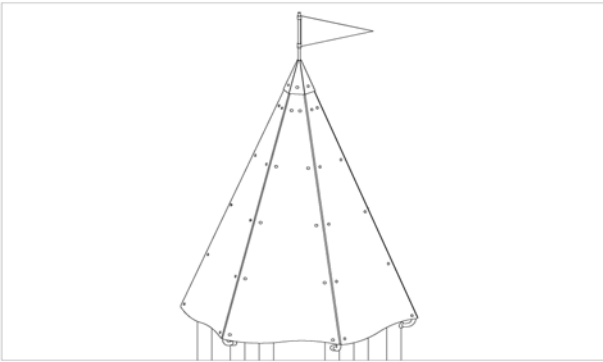
1298840

K&K Play castle

Location:

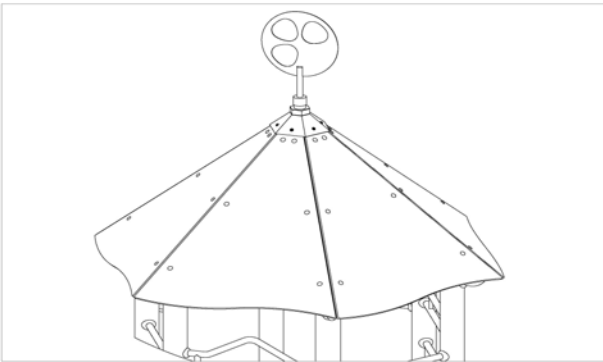
Building Project:

**1 x SFAS1240012 Tent roof 72° 6 x 0.8 m with flag
HPL-plates at stay tubes and flag onto HPL-plates**



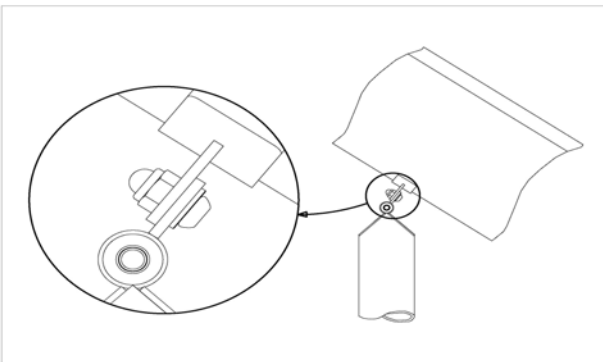
per SC	Total	K&K-Item	Marking
60 x	60 x	3430014	Washer Ø 10,5 DIN 125 B A2
6 x	6 x	3400195	Dome head security bolt M10x30 Resistorx A2
60 x	60 x	3430011	Hexagon cap nut M10 DIN986 A2
6 x	6 x	3430086	Washer Ø 10,5 DIN9021 A2
60 x	60 x	3400138	Mushroom head screw square neck M10x30 DIN 60

**1 x SFAS1240014 Tent roof 6 x 0.8 m with wind mobile
HPL plates at stay tubes and wind mobile onto HPL-plates**



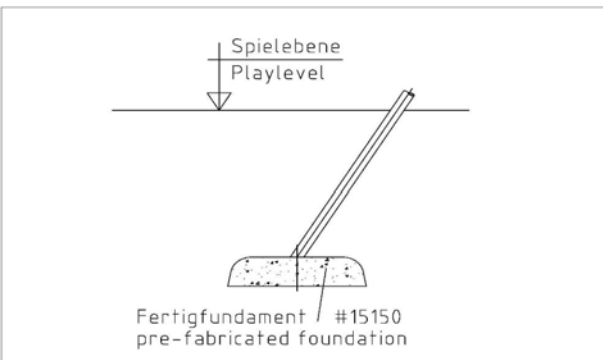
per SC	Total	K&K-Item	Marking
6 x	6 x	3430102	Washer Ø 8.4 DIN9021 A2
36 x	36 x	3430011	Hexagon cap nut M10 DIN986 A2
36 x	36 x	3430014	Washer Ø 10,5 DIN 125 B A2
6 x	6 x	3400673	Dome head security bolt M8 x 20 Resistorx A2
36 x	36 x	3400138	Mushroom head screw square neck M10x30 DIN 60

1 x SFAS1070004 Slide support post below hill slide



per SC	Total	K&K-Item	Marking
2 x	2 x	3430025	Washer Ø 13 DIN125 A2
2 x	2 x	3400622	Dome head security bolt M12 x 25 PinHexagon A2 safety coated thread

**1 x SFAS1230009 Scramble-, ascending net etc.
at prefab foundation (item n° 15150)**



per SC	Total	K&K-Item	Marking
4 x	4 x	3430025	Washer Ø 13 DIN125 A2
4 x	4 x	3400018	Hexagon screw M12 x 25 DIN933 A2

Item: **0-23840-700**

Order:

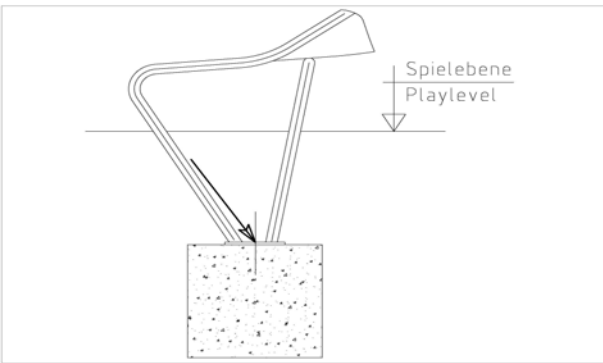
1298840

K&K Play castle

Location:

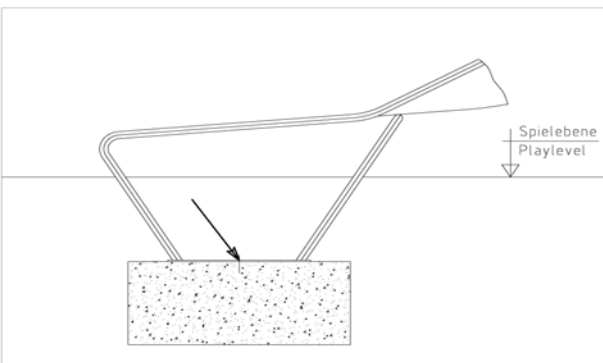
Building Project:

1 x SFAS1070006 Slide run-out section (up to 2,00 m) on foundation stone bolt assembly



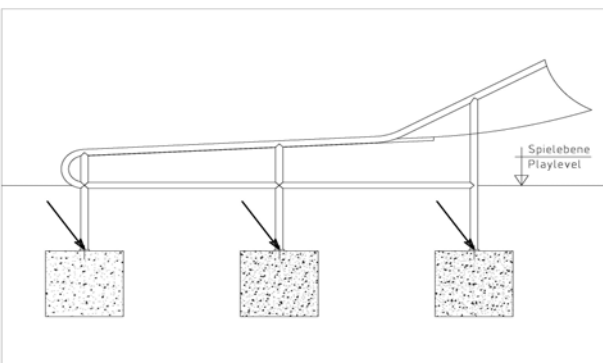
per SC	Total	K&K-Item	Marking
2 x	2 x	1070365	Set of stone bolts for slide run-out section M12x160

1 x SFAS1070007 Slide run-out section (mini) stone bolt assembly



per SC	Total	K&K-Item	Marking
2 x	2 x	1070365	Set of stone bolts for slide run-out section M12x160

1 x SFAS1070011 Tunnel slide run-out section (short!) stone bolt assembly



per SC	Total	K&K-Item	Marking
6 x	6 x	1070365	Set of stone bolts for slide run-out section M12x160

1 x SFWZ0000001 Security TORX wrench TR40

per SC	Total	K&K-Item	Marking
1 x	1 x	3490081	Security TORX wrench TR40



Item: **0-23840-700**
K&K Play castle

Order:

1298840

Location:

Building Project:

1 x SFWZ0000005 Allen key security hex socket AF8

per SC	Total	K&K-Item	Marking
1 x	1 x	3490057	Allen key security hex socket AF8



6 x SFWZ0000012 Lubricating metal (30g box) incl. brush

per SC	Total	K&K-Item	Marking
1 x	6 x	5300039	Lubricating metal box à 30g
1 x	6 x	5200026	Brush for lubricating metal

