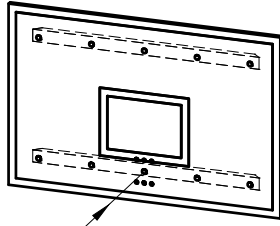


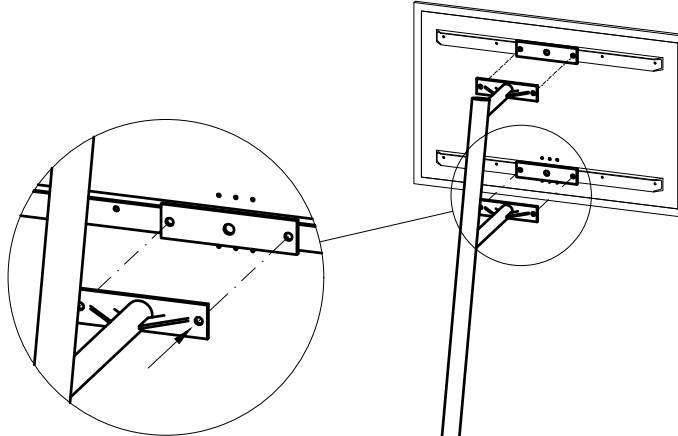
1. Assign location for equipment considering the space requirement.
2. Excavate soil for foundation, according to drawing. Please note: To achieve maximum stability and a safe installation, a moderate level of soil solubility is required.
3. **Attention: For installation of the pre-assembled components and/or single parts, the screws slightly have to be lubricated with installation paste!**
4. Grout foundation with compressed concrete C20/25, insert flange frame into concrete according to drawing and align it with spirit level.
5. After concrete foundation has set, mount steel post and basket board and cover the foundation with soil (mounting depth corresponding to play level mark=pin).
6. According to maintenance instructions, check all screw connections after 4-5 weeks and retighten, if necessary.
7. Please take care that all specific documents which are or may be useful for safety management acc. to EN 1176-7 (e.g. invoice, delivery note, order acknowledgement, installation instructions, maintenance instructions) are forwarded to the persons responsible.

**1** 10x screw connection basket board - crossbeam consisting of:



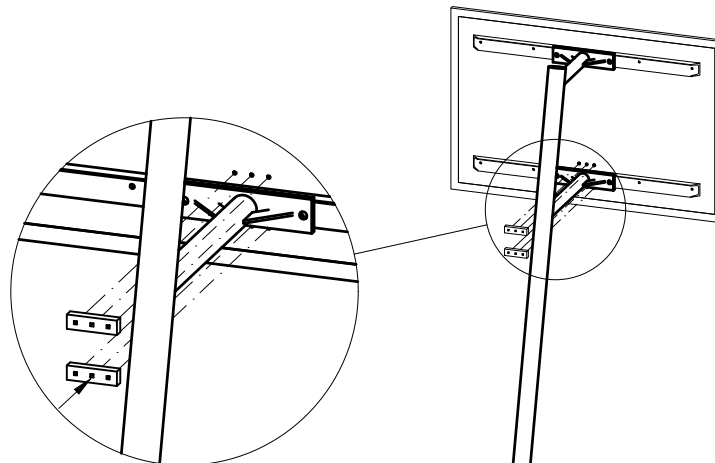
mushroom head screw DIN 603-M12x60-A2;  
washer DIN 125- $\phi$ 13-A2;  
safety nut DIN 985-M12-A2.

**2** 4x screw connection steel post - crossbeam consisting of:



hexagon screw DIN 933-M20x45 zinc-plated;  
washer DIN 125- $\phi$ 21-zinc-plated;  
safety nut DIN 985-M20 zinc-plated.

**3** 6x screw connection rear side support plates - basket consisting of:



mushroom head screw DIN 603-M8x45-A2;  
washer DIN 125- $\phi$ 8,4-A2;  
hexagon cap nut DIN 986-M8-A2.

