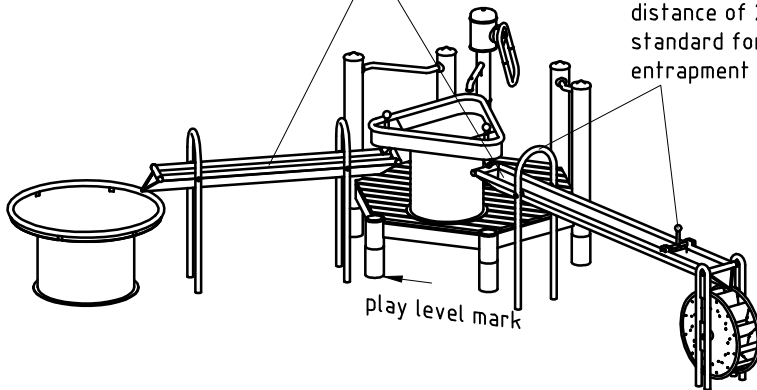


Install water troughs at an inclination of 1° in flow direction

Please note: retaining flap has been pre-assembled. Keep a minimum distance of 230 mm to the support, otherwise, the requirements of standard for playground equipment EN 1176-1 concerning head entrapment will no longer be met.



For installation and connection of water pump see "Installation Instruction 0-33130-001".

1. Assign a device location considering the space requirements (impact area).
2. Excavate soil for foundations, according to drawing.  
Please note: To achieve maximum stability and a safe installation, a moderate level of soil solubility is required.
3. Pour in a drain layer of gravel of approx. 10 cm thickness between the bottom of the tubular pedestals and plain base of foundation.
4. Insert reinforcing steel into the corresponding holes of the tubular pedestals.
5. Place posts type A (see foundation layout) according to the corresponding number into the respective foundation hole. Play level mark (=aluminium blind rivet) complies with the installation depth. Align every post by means of the play level mark facing into the same direction (see detail or foundation layout).

**6. For installation of the pre-assembled components and/or single parts, the screws slightly have to be lubricated with installation paste!**

Screw together platform and posts by using the middle hole in the mounting brackets.

**Tighten all screws after having aligned all components.**

Screw connections see details in list of screw connections attached.

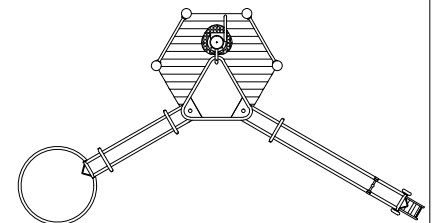
7. Grout foundations with compressed concrete C20/25, chamfer and round off the edges, cover the foundations with a surface which meets the requirements for impact attenuation so that the critical fall height of the surfacing is equal to, or greater than, the free height of fall of the equipment (acc. to EN 1176-1).
8. Release for play after concrete foundations have set.
9. According to maintenance instructions, check all screw connections after 4-5 weeks and retighten, if necessary. Afterwards cover the screw heads with protection caps.

Please ensure that all special tools supplied (e.g. Allen key for secured Allen screws etc.) and all specific documents which are or may be useful for safety management acc. to EN 1176-7 (e.g. invoice, delivery note, order acknowledgement, installation instructions, maintenance instructions) are forwarded to the persons responsible.

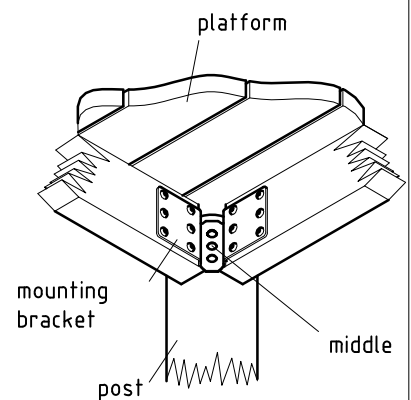
**Necessarily insert all attachment parts (platform, handrails etc.) before tightening the screws.**

**It is NOT possible to insert them afterwards.**

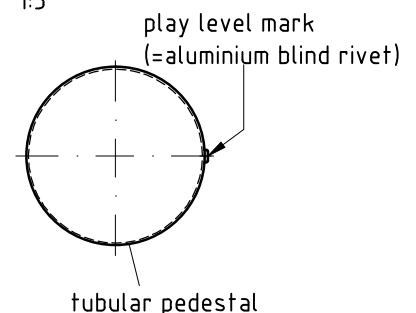
platform orientation  
1:100



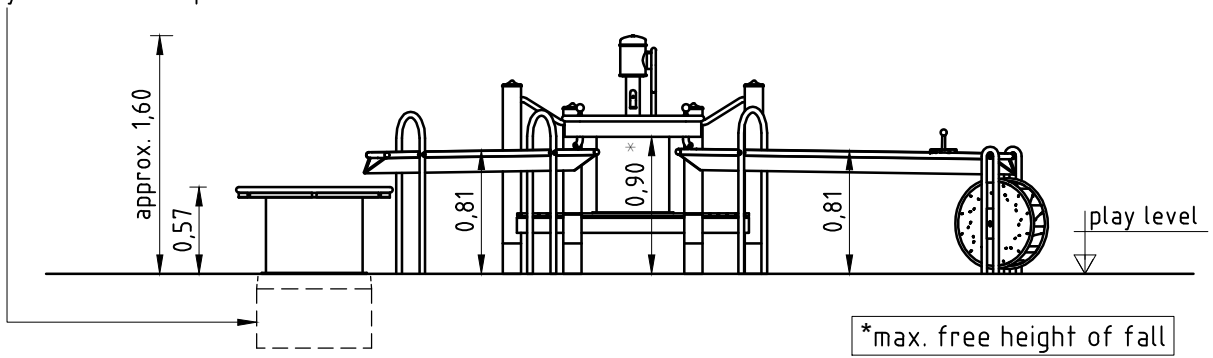
platform fastening  
1:10



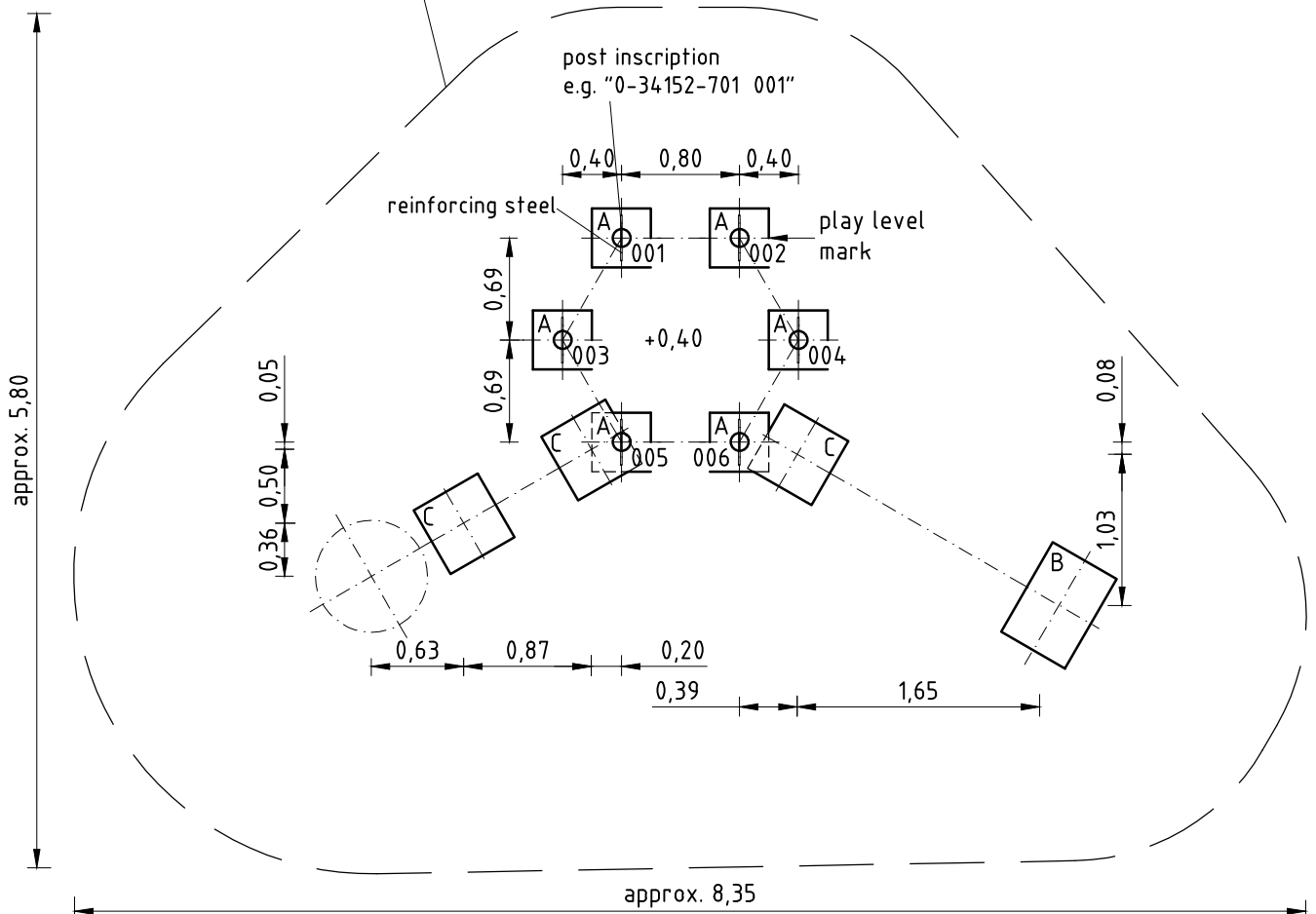
play level mark  
1:5

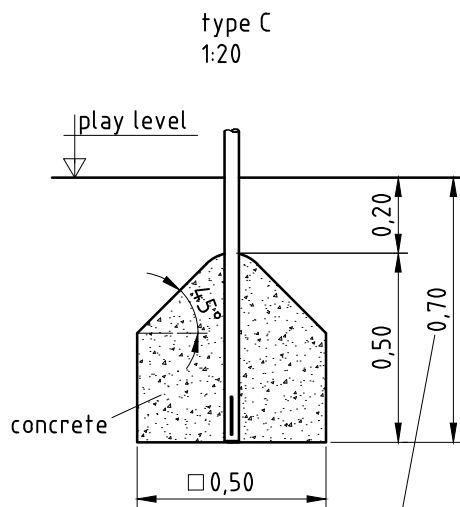
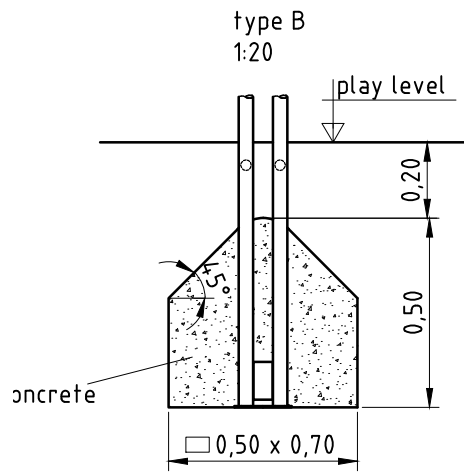
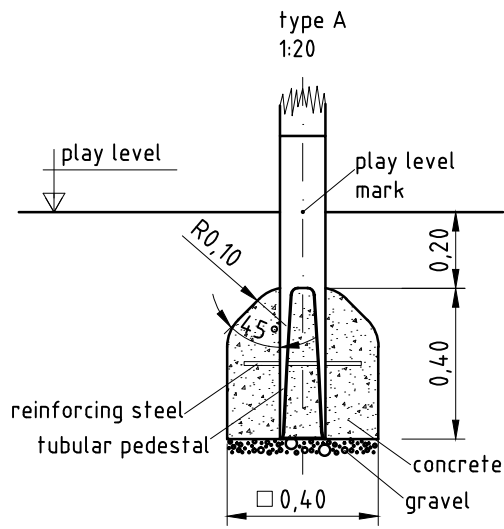


For a stable installation of the mixing plate, an additional (ring shape e.g.) concrete foundation is necessary. The size (especially the depth) depends on the soil conditions on site. The mixing plate can either be connected to the foundation by using concrete dowels or by the stone bolts provided.



Space requirements approx. 37 m<sup>2</sup>  
 Space requirements are only effective for the position of items as shown on the top view sketch.  
 If this waterplay combination is modified, space requirements will have to be adjusted.





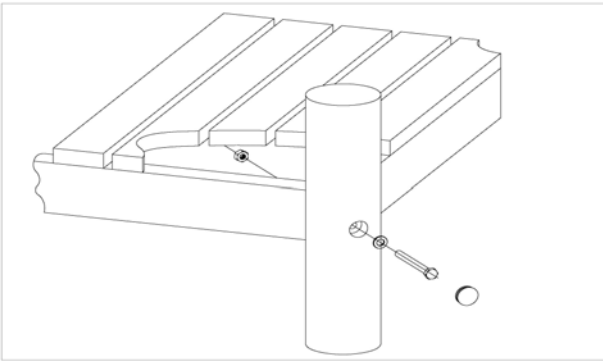
Minimum installation depth.  
Depending on the trough depth required,  
the foundation depth can exceed 0,70 m.

**Item: 0-34152-701**  
 K&K Water play structure

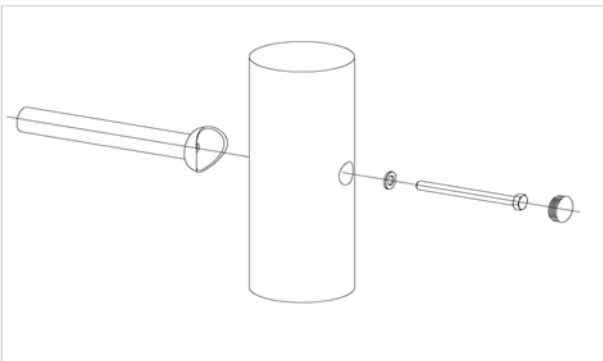
Order:

1298898

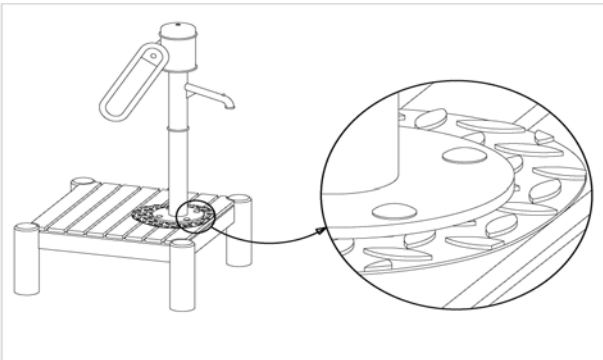
Location: Building Project:

**6 x SFRS1200001 Platform at robinia posts, nut on platform side**


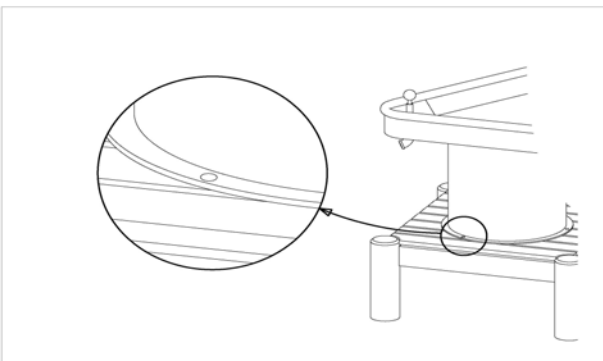
per SC	Total	K&K-Item	Marking
1 x	6 x	3400700	Hexagon head screw M12 x 120 DIN931 A2 with screw security coating/FGB red
1 x	6 x	3300016	Grey domed plastic cover cap SL 36 G
1 x	6 x	3430129	Washer Ø 14 DIN1440 A2
1 x	6 x	3430021	Lock nut M12 DIN985 A2

**4 x SFRS1230004 Standard bolting of climbing bar, ramp etc. to robinia posts with countersunk holes**


per SC	Total	K&K-Item	Marking
1 x	4 x	3300016	Grey domed plastic cover cap SL 36 G
1 x	4 x	3430129	Washer Ø 14 DIN1440 A2
1 x	4 x	3400701	Hexagon head cap screw M12 x 130 DIN931 A2 with screw retention coating/FGB red

**1 x SFAS1260001 Water pump onto platform**


per SC	Total	K&K-Item	Marking
4 x	4 x	3430025	Washer Ø 13 DIN125 A2
4 x	4 x	3430051	Hexagon cap nut M12 DIN 986 A2
4 x	4 x	3400249	Mushroom head screw M12 x 60 DIN603 A2

**4 x SFAS1040012 Tighten cylinder base plate on platform**


per SC	Total	K&K-Item	Marking
1 x	4 x	3430051	Hexagon cap nut M12 DIN 986 A2
1 x	4 x	3430025	Washer Ø 13 DIN125 A2
1 x	4 x	3400384	hexagon screw M12 x 50 DIN931 A2

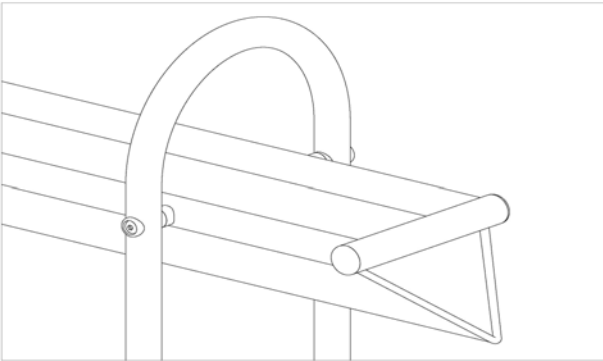
Item: **0-34152-701**  
K&K Water play structure

Order:

1298898

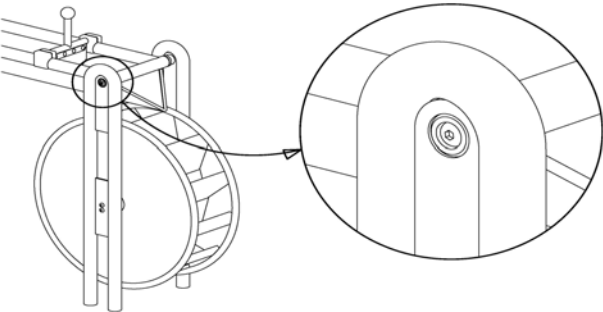
Location: Building Project:

**3 x SFAS1040006 Water trough (S) at support**



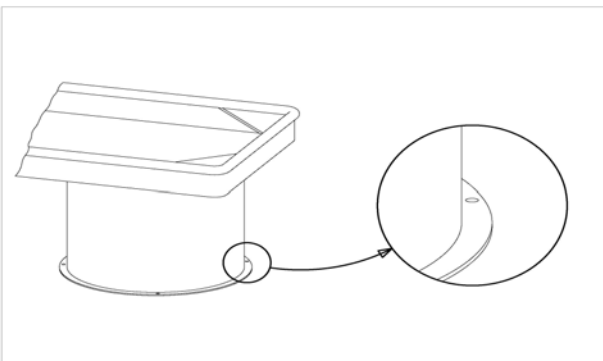
per SC	Total	K&K-Item	Marking
2 x	6 x	3400286	Dome head security bolt M10x50 Resistorx A2

**1 x SFAS1040013 Water trough (S) to support of water wheel**



per SC	Total	K&K-Item	Marking
2 x	2 x	3400195	Dome head security bolt M10x30 Resistorx A2

**4 x SFAS1040011 Tighten cylinder base plate on concrete foundation with stone bolt**



per SC	Total	K&K-Item	Marking
1 x	4 x	1040272	Fastening set water play equipment M10x160 A2 stone bolt/washer/nuts

**6 x SFES1270007 Reinforcing steel for tubular pedestals**



per SC	Total	K&K-Item	Marking
1 x	6 x	2130000	Reinforcing steel Ø 10 x 310 DIN 488

Item: **0-34152-701**  
 K&K Water play structure  
 Location:

Order:

1298898

Building Project:

1 x SFWZ000002 Security TORX wrench TR45

per SC	Total	K&K-Item	Marking
1 x	1 x	3490033	Security TORX wrench TR45



1 x SFWZ000013 Lubricating metal, twin bag (2 x 4 g)



per SC	Total	K&K-Item	Marking
2 x	2 x	5300024	lubricating metal 4g