

Item

**057010000**

**Balance exerciser**

*(exemplary colour illustration)*

Mounting instructions

1. for installation as *permanently installed public **playground equipment*** according to **EN 1176** (Page: 1)
2. for installation as *permanently installed outdoor **fitness equipment*** according to **EN 16630** (Page: 2)



The delivered product is labelled with a round sticker stating the standard intended for use (EN 16630 or EN 1176).



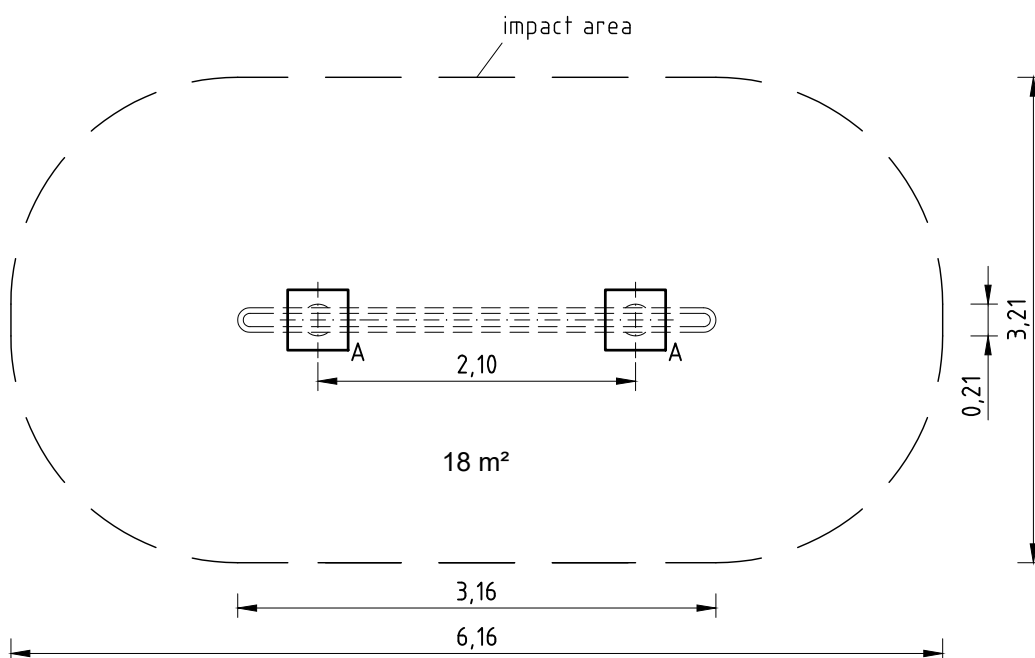
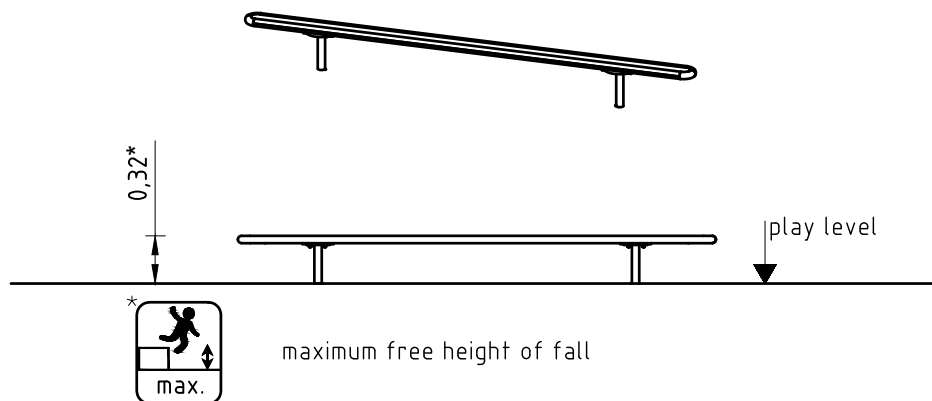
The diagram illustrates two examples of the round stickers used for labeling. The top sticker is labeled '16630' and the bottom sticker is labeled '1176'. Both stickers have a magnifying glass icon over the standard number. The stickers also contain the text 'Kaiser & Kühne Freizeitgeräte GmbH, Im Sudhof 5, D-27272 Zetel, Tel. +49 4254 431150' and 'DIN EN 16630:2015' for the top sticker, and 'DIN EN 1176:2017' for the bottom sticker.

# Mounting instructions for installation as permanently installed public **playground equipment** according to **EN 1176**

www.kaiser-kuehne.com T. +49 (0) 42 54 / 93 15-0

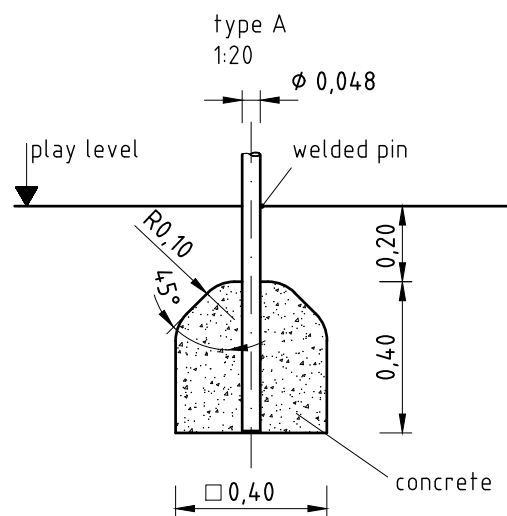
© Kaiser & Kühne Freizeitgeräte D-27324 Eystrup

Installation



1. Assign a location for the equipment considering the space requirement (impact area).
2. Excavate soil for foundations, according to drawing. Please note: To achieve maximum stability and a safe installation, a moderate level of soil solubility is required.
3. Put posts into the respective hole of foundation. Play level mark complies with the mounting depth of the support post.
4. Grout foundations with compressed concrete C20/25, chamfer and round off the edges. The soil characteristics of the area surrounding the equipment must have an appropriate level of shock absorption corresponding to the free height of fall (according to EN 1176-1).
5. Release for play after concrete foundations have set.

Please take care that all special tools (e.g. special Allen key for secured Allen screws etc.) and all specific documents which are or may be useful for safety management according to EN 1176-7 (e.g. invoice, delivery note, order acknowledgement, installation and maintenance instructions) are forwarded to the responsible persons.

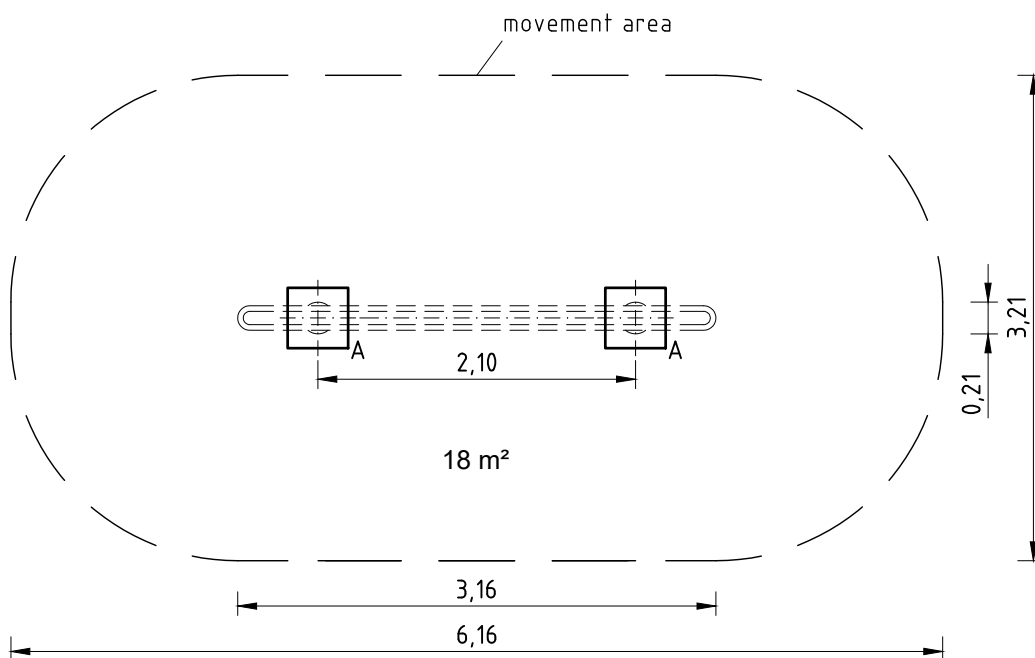
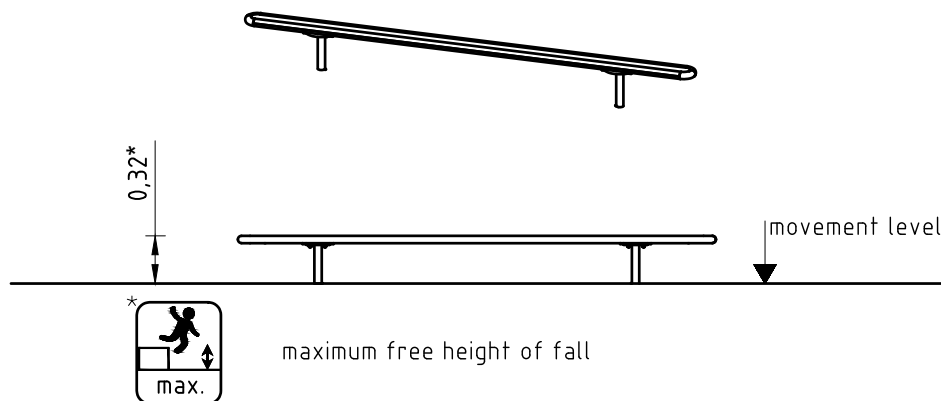


# Mounting instructions for installation as permanently installed outdoor **fitness equipment** according to **EN 16630**

www.kaiser-kuehne.com T +49 42 54 / 93 15-0

© Kaiser & Kühne Freizeitgeräte D-27324 Eystrup

Installation



1. Assign a location for the equipment considering the space requirement (movement area).
2. Excavate soil for foundations, according to drawing. Please note: To achieve maximum stability and a safe installation, a moderate level of soil solubility is required.
3. Put support posts into the respective hole of foundation. Movement level mark complies with the mounting depth of the posts.
4. Grout foundations with compressed concrete C20/25, chamfer and round off the edges. The soil characteristics of the area surrounding the equipment must have an appropriate level of shock absorption corresponding to the free height of fall (according to EN 1176-1).
5. Release for play after concrete foundations have set.

Please take care that all special tools (e.g. special Allen key for secured Allen screws etc.) and all specific documents which are or may be useful for a safety management (e.g. invoice, delivery note, order acknowledgement, installation and maintenance instructions) are forwarded to the responsible persons.

