

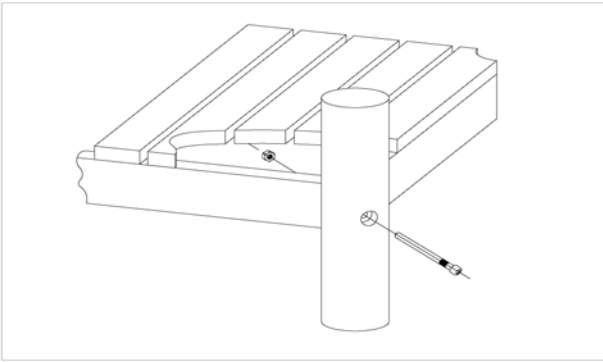
Installation

Item No.	Description	Scale	Date	Page
0-33155-502	K&K House for water pump	1:20	12/16 EB	1

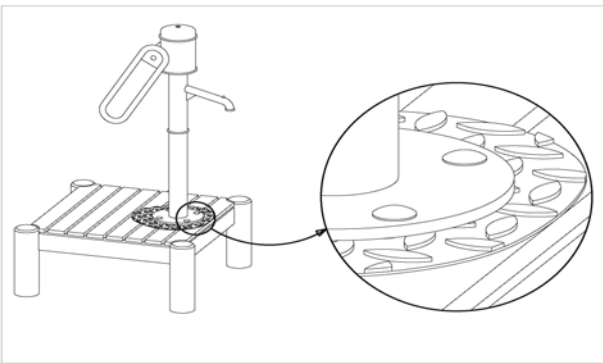
Item: 033155502
Order:

1292794

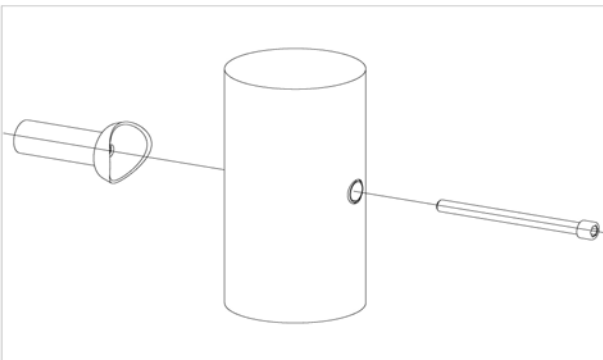
K&K House for pump with handle

Location:
Building Project:
4 x SFES1200001 Platform fastening to stainless steel post, nut on the side of the platform


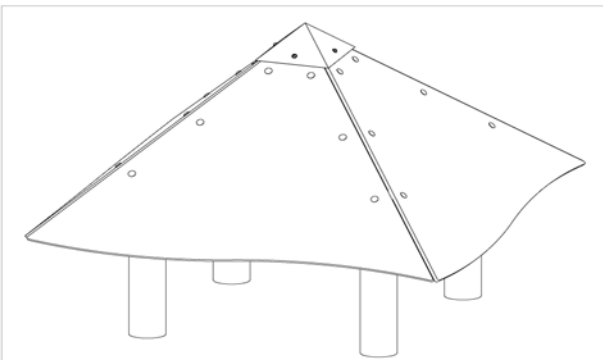
per SC	Total	K&K-Item	Marking
1 x	4 x	3430021	Lock nut M12 DIN985 A2
1 x	4 x	2030651	Cheese head screw with pin M12 x 125

1 x SFAS1260001 Water pump onto platform


per SC	Total	K&K-Item	Marking
4 x	4 x	3430025	Washer Ø 13 DIN125 A2
4 x	4 x	3430051	Hexagon cap nut M12 DIN 986 A2
4 x	4 x	3400249	Mushroom head screw M12 x 60 DIN603 A2

8 x SFES1210001 Standard bolting of attachment parts (except platforms) to stainless steel posts


per SC	Total	K&K-Item	Marking
1 x	8 x	2030168	Cheese head screw with pin M12x140

1 x SFAS1240007 Tent roof 4 x 0,80 m with hood


per SC	Total	K&K-Item	Marking
24 x	24 x	3430014	Washer Ø 10,5 DIN 125 B A2
4 x	4 x	3430102	Washer Ø 8.4 DIN9021 A2
4 x	4 x	3400673	Dome head security screw M8 x 20 Resistorx A2
24 x	24 x	3430011	Hexagon cap nut M10 DIN986 A2
24 x	24 x	3400138	mushroom head screw square neck M10x30 DIN 60

Item: **033155502**

Order:

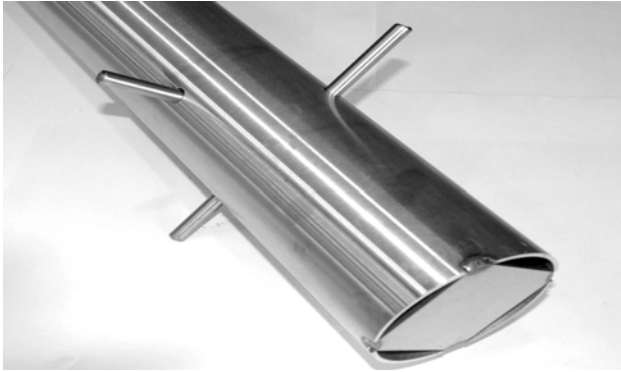
1292794

K&K House for pump with handle

Location:

Building Project:

4 x SFES1270001 Reinforcing steel for stainless steel posts



per SC	Total	K&K-Item	Marking
2 x	8 x	2130000	Reinforcing steel Ø 10 x 310 DIN 488

1 x SFWZ0000001 Security TORX wrench TR40



per SC	Total	K&K-Item	Marking
1 x	1 x	3490081	Security TORX wrench TR40

1 x SFWZ0000009 Hexagon insert socket driver 10mm 1/2" with borehole for Pin



per SC	Total	K&K-Item	Marking
1 x	1 x	2030170	Hexagon insert socket driver 10 mm 1/2" with drill hole for Pin

1 x SFWZ0000012 Lubricating metal (30g box) incl. brush



per SC	Total	K&K-Item	Marking
1 x	1 x	5300039	Lubricating metal box 30g
1 x	1 x	5200026	Brush for lubricating metal