

1. Assign a device location considering the space requirement (impact area).
Due to a possible sliding surface heating, please see to a north-east orientation (northern hemisphere) of the slides or provide half-shade of trees.
For countries in the southern hemisphere, see to a south-east orientation.
2. Excavate soil for foundations, according to drawing.
Please note: To achieve maximum stability and a safe installation, a moderate level of soil solubility is required.
3. Pour in a drain layer of gravel of approx. 10 cm thickness between the bottom of the posts and plain base of foundation.
4. Insert reinforcing steel into the corresponding holes of the posts.
5. Place posts type A according to the corresponding number (see foundation layout) into the respective foundation hole. Play level mark (=aluminium blind rivet) complies with the installation depth. Align every post by means of the play level mark facing into the same direction (see detail or foundation layout).

6. For installation of the pre-assembled components and/or single parts, the screws slightly have to be lubricated with installation paste!

Screw together platforms and posts by using the respective hole in the mounting brackets (according to "**chart for platform fastening**").

Tighten all screws after having aligned all components.

Install the slide exit with the given inclination in sliding direction so that rain water can drain off (see foundation detail).

Screw connections see details in attached list.

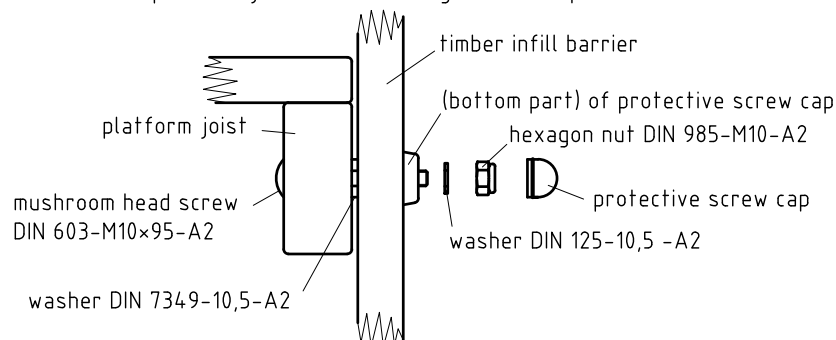
7. Grout foundations with compressed concrete C20/25, chamfer and round off the edges, cover the foundations with a surface which meets the requirement for impact attenuation so that the critical fall height of the surfacing is equal to, or greater than, the free height of fall of the equipment (acc. to EN 1176-1). The run-out section fall zone must have surfacing with a critical fall height of at least 1000mm (acc. to EN 1176-3).
8. Release for play after concrete foundations have set.
9. According to maintenance instructions, check all screw connections after 4-5 weeks and retighten, if necessary.

Please ensure that all special tools supplied (e.g. Allen key for secured Allen screws etc.) and all specific documents which are or may be useful for safety management acc. to EN 1176-7 (e.g. invoice, delivery note, order acknowledgement, installation instructions, maintenance instructions) are forwarded to the persons responsible.

Necessarily insert all attachment parts before tightening the screws. It is NOT possible to insert them afterwards.

⊗ **fastening of timber infill barriers (from a height of 1,50 m) to adjoining platform joist**

Prepare combined central drilling holes in the barrier planks and the platform joist and screw together both parts!



platform orientation/numbers
1:100

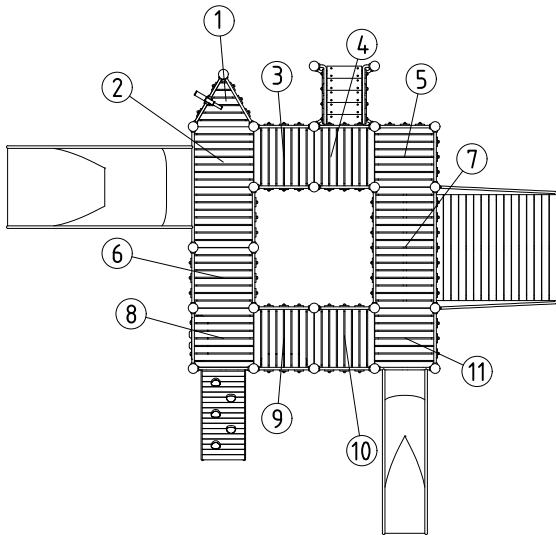


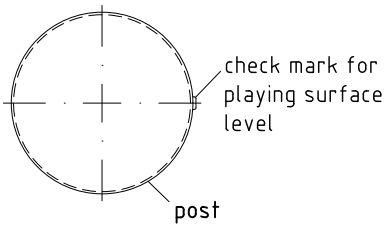
chart for platform fastenings

| No. | height | drill hole position in mounting bracket | | |
|-----|--------|---|--------|--------|
| | | top | middle | bottom |
| ① | 1,20 | | x | |
| ② | 1,00 | x | x | x |
| ③ | 1,00 | x | | x |
| ④ | 0,80 | | x | |
| ⑤ | 0,60 | x | x | |
| ⑥ | 1,20 | x | x | |
| ⑦ | 0,60 | | x | x |
| ⑧ | 1,20 | | x | x |
| ⑨ | 1,20 | x | x | |
| ⑩ | 1,00 | | x | |
| ⑪ | 0,80 | | x | |

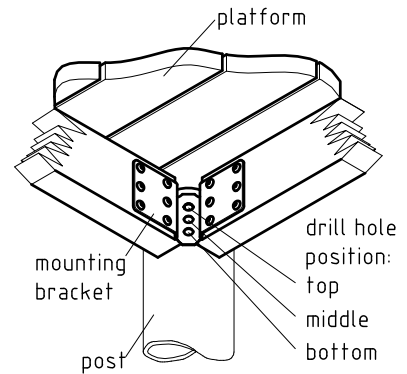
in addition to the above-mentioned details, there are twofold screw connections (use both top and bottom hole):

platform No. 2 at post 009

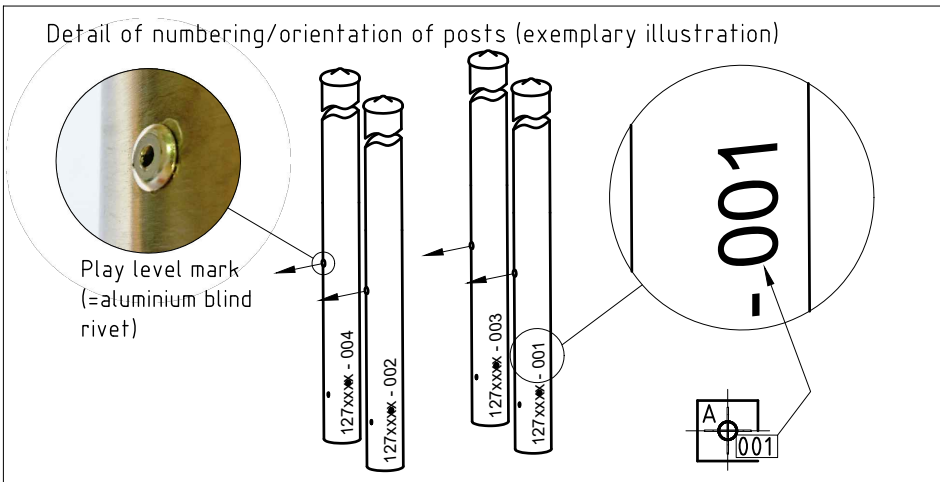
detail of check mark
1:5



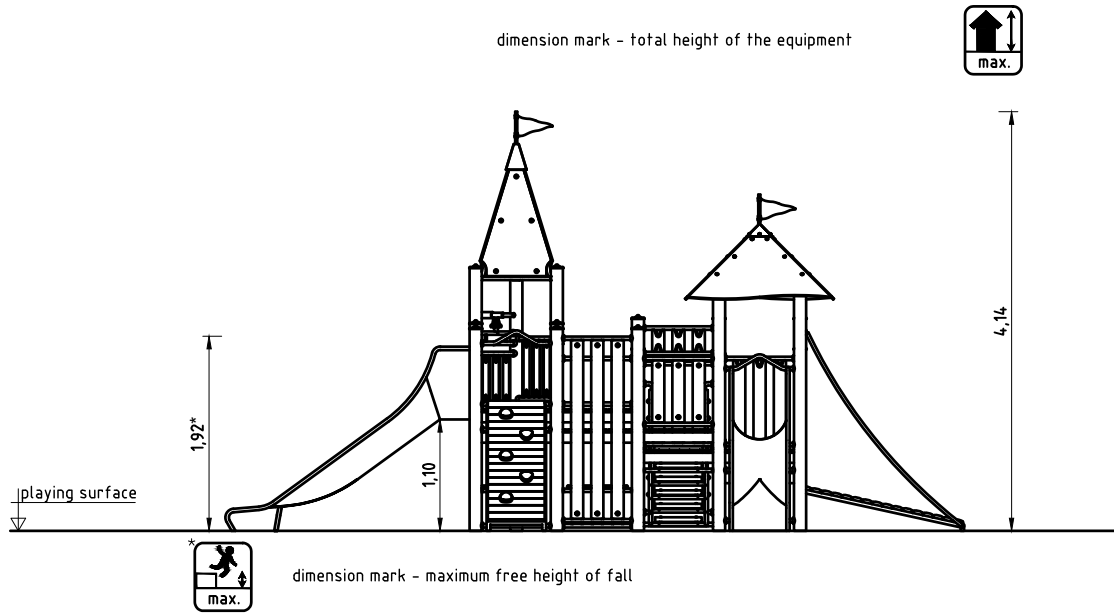
platform fastening
1:10



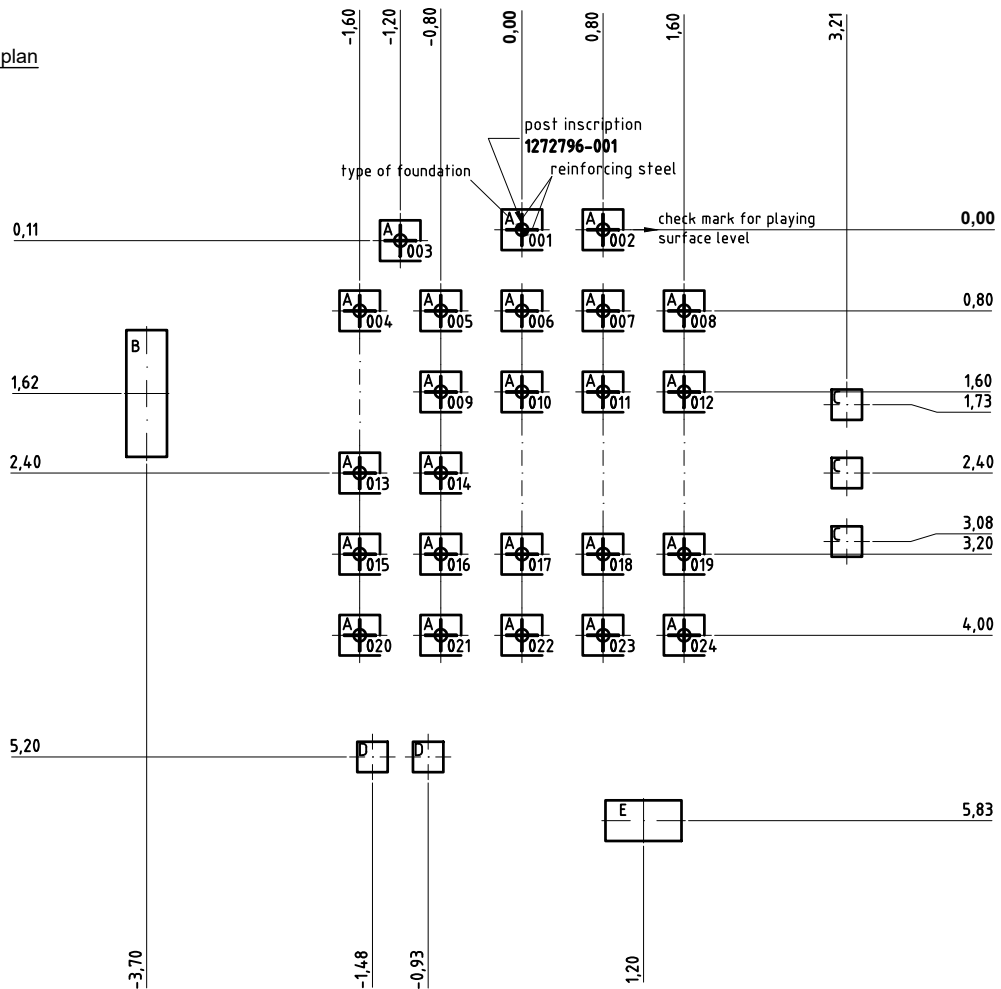
Detail of numbering/orientation of posts (exemplary illustration)



Front view



Foundation plan



Please note:

Due to the format size, this installation is not to scale (apart from single details).

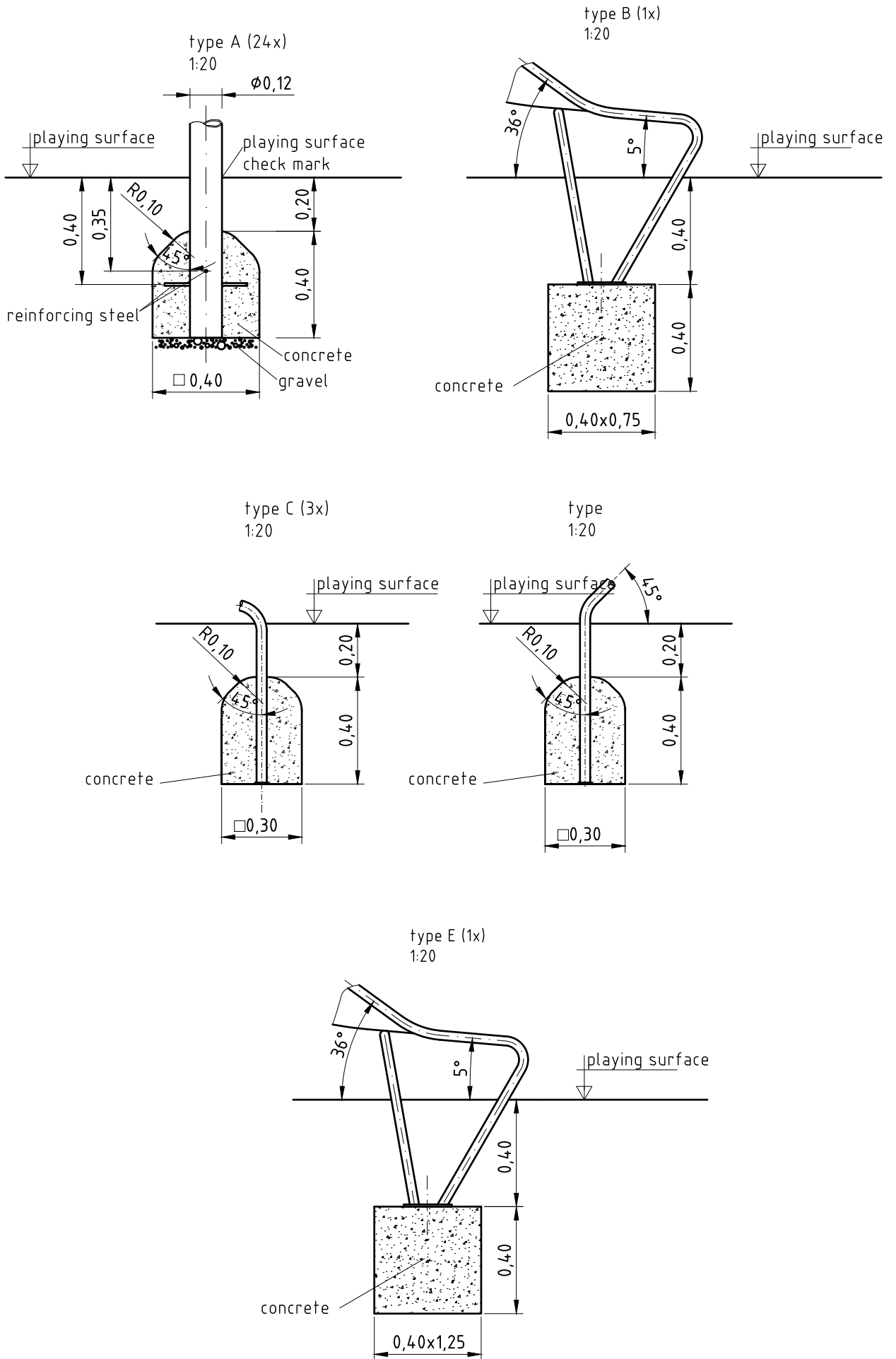
Please refer to the dimensions indicated.

An installation documentation scale 1:50 can be submitted on request.

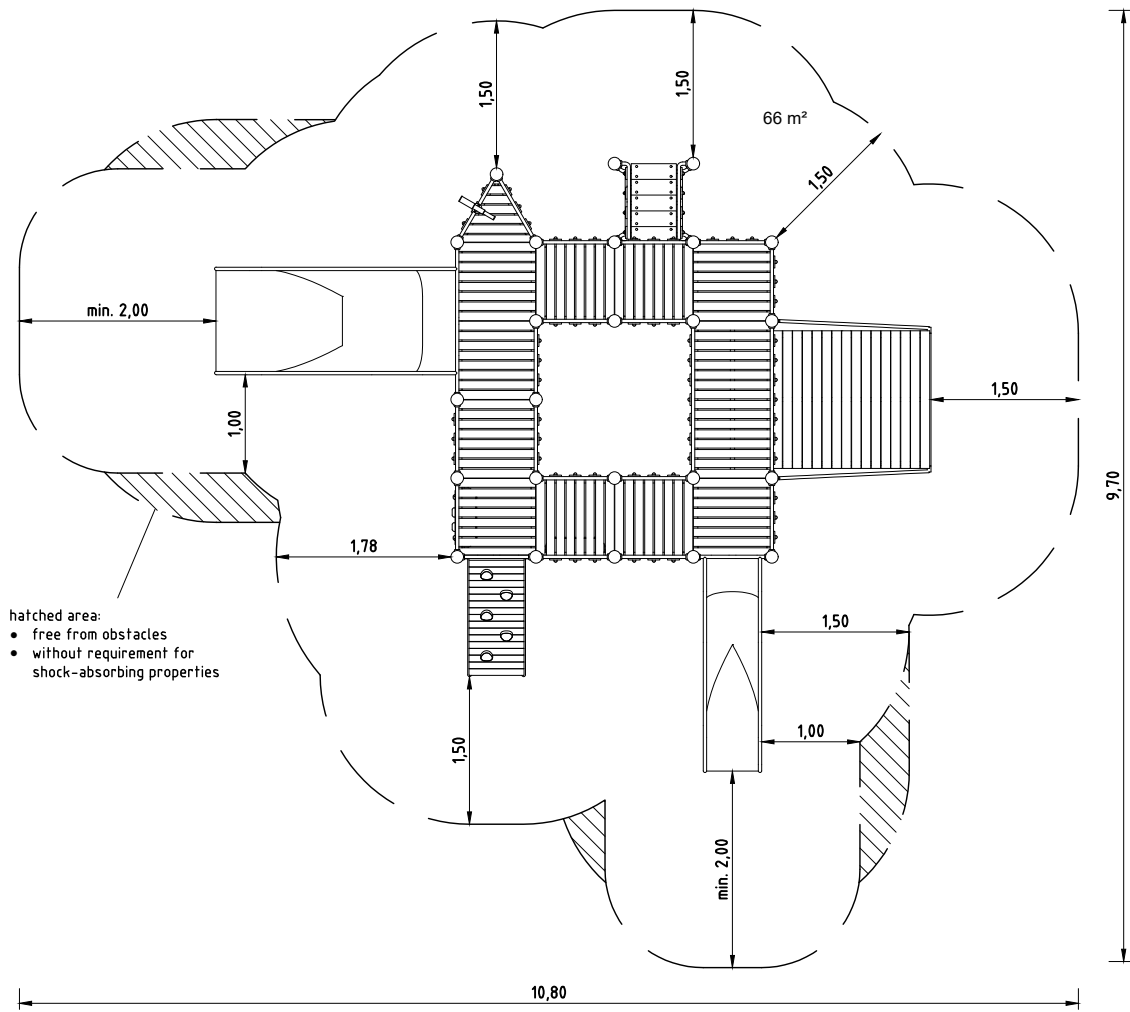
foundations (on site)
24x 0,40 x 0,40 x 0,40 m
5x 0,30 x 0,30 x 0,40 m
1x 0,40 x 0,75 x 0,40 m
1x 0,40 x 1,25 x 0,40 m

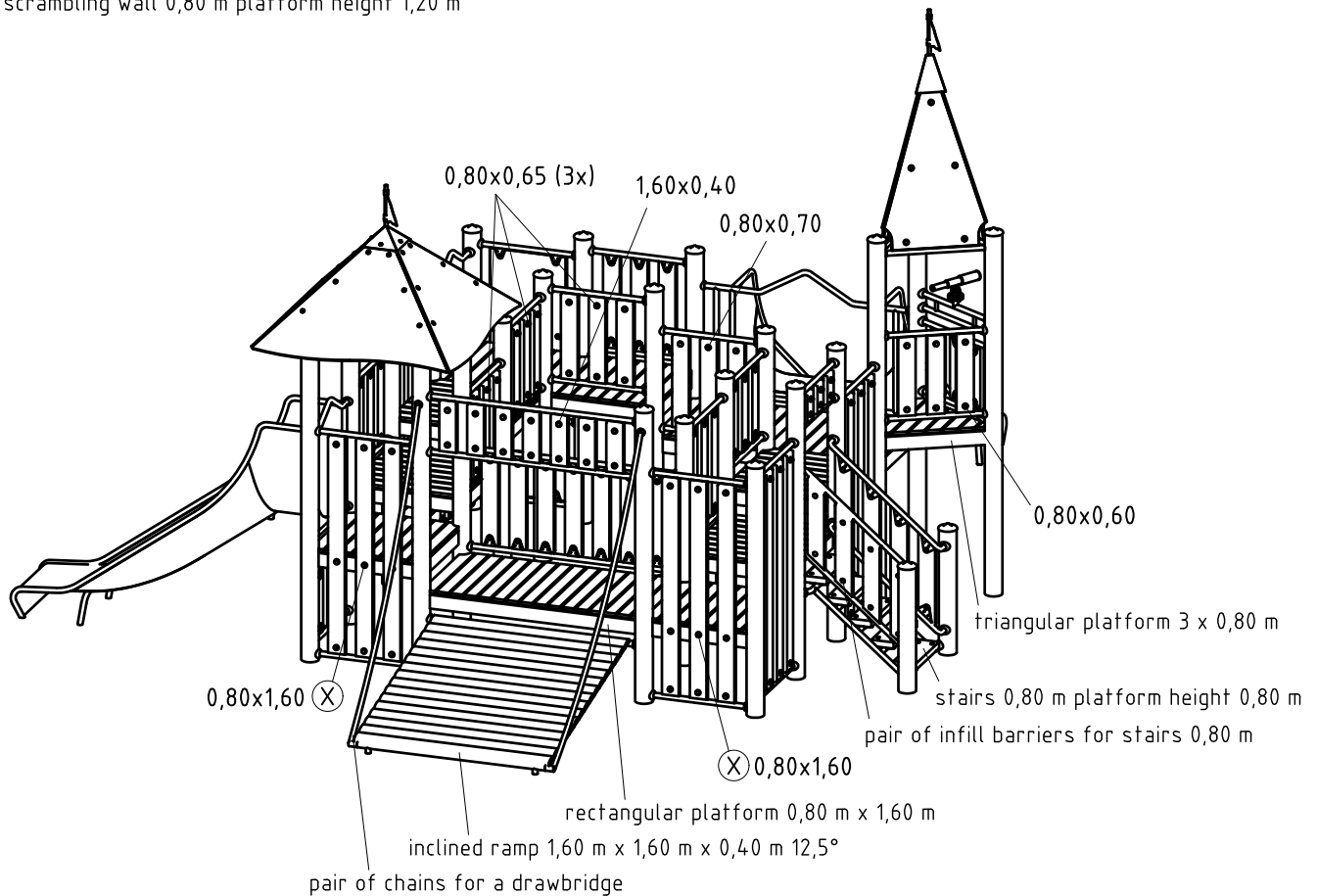
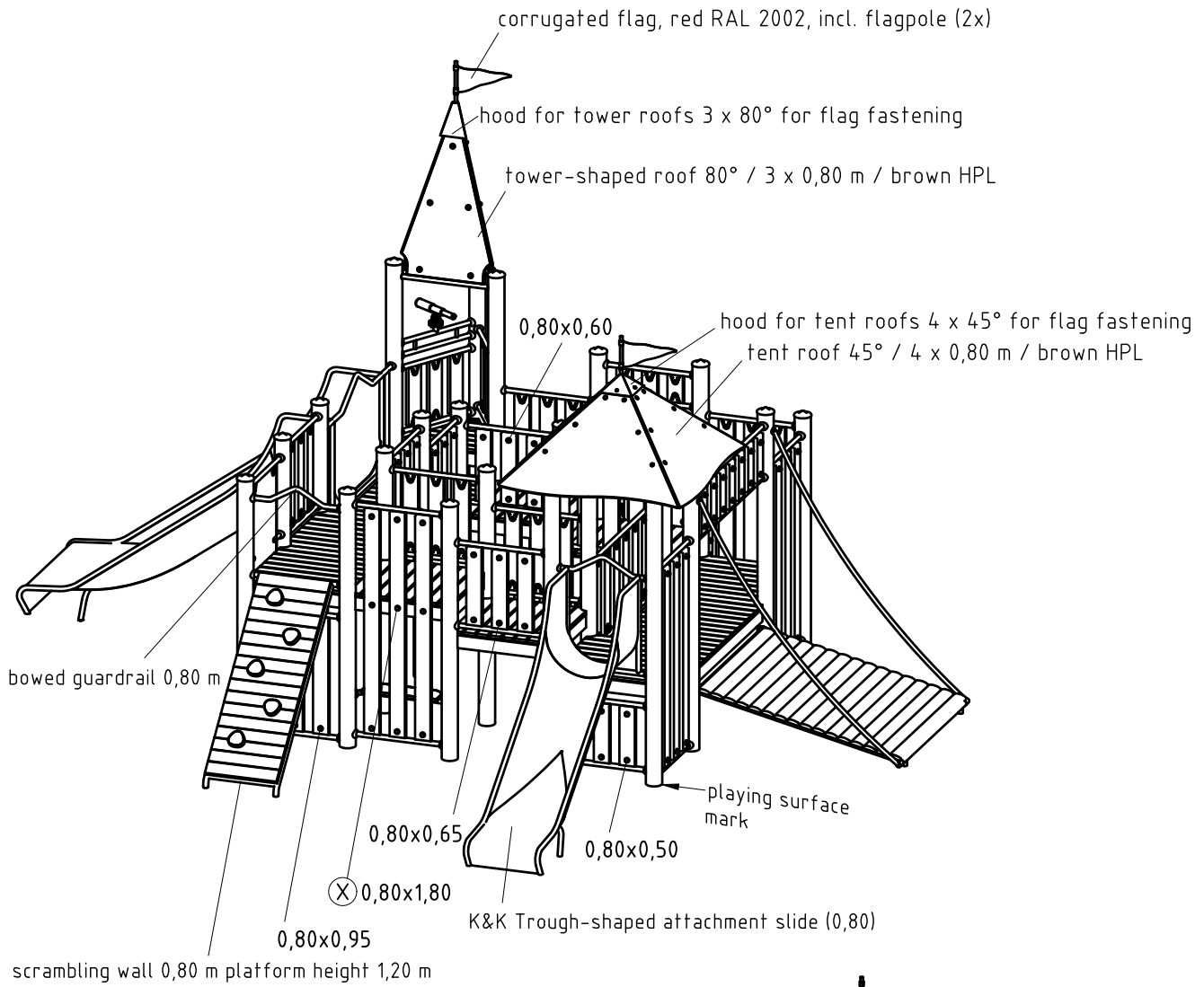
(approximate) concrete needs
2 m³

Foundation details



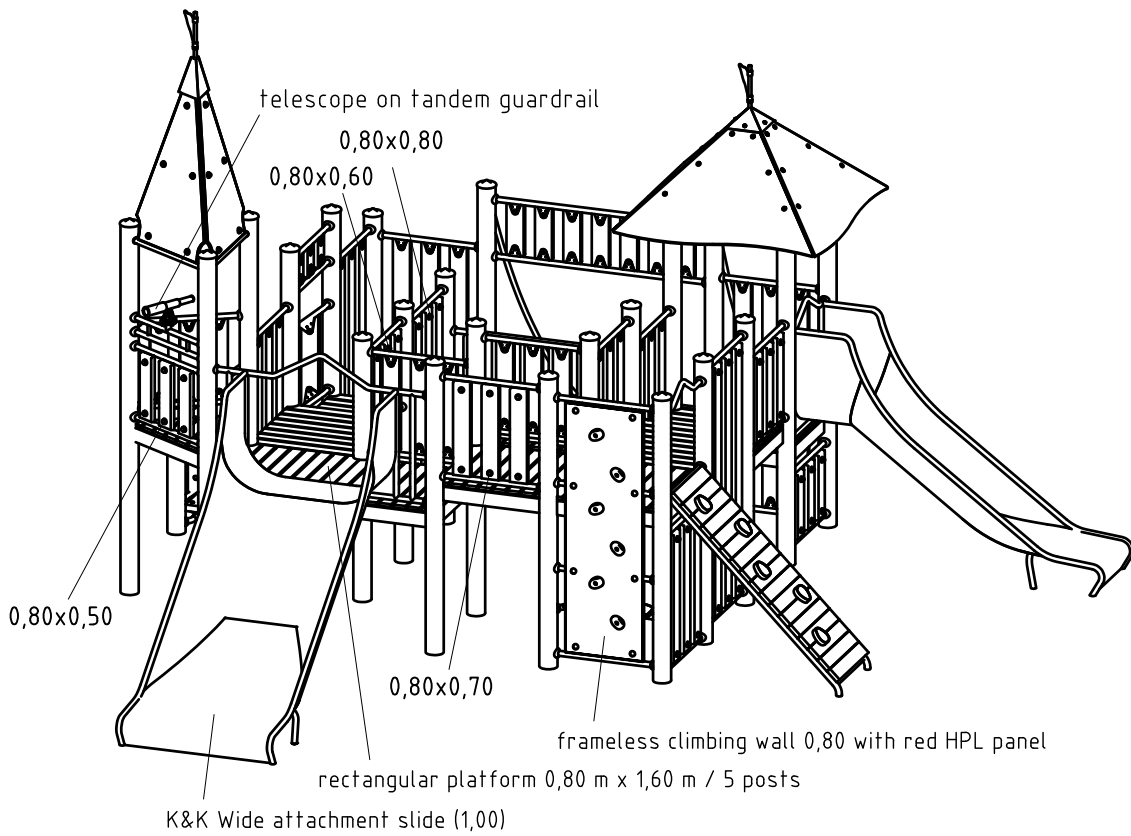
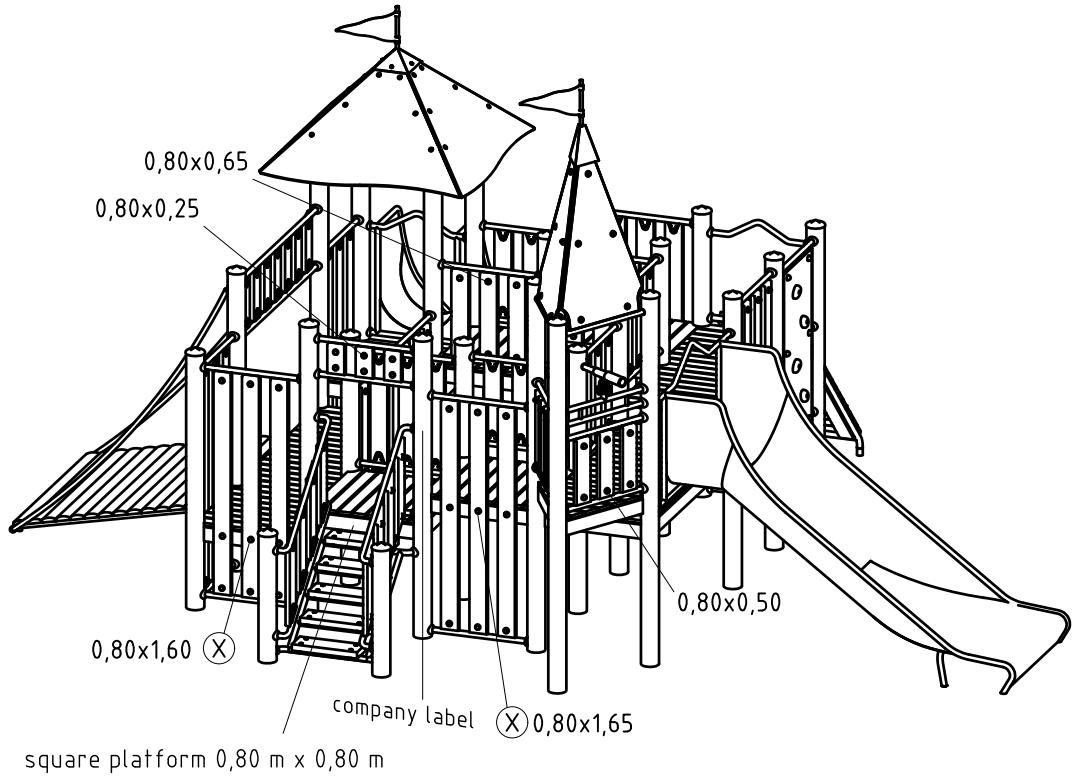
Top view & impact area





Installation

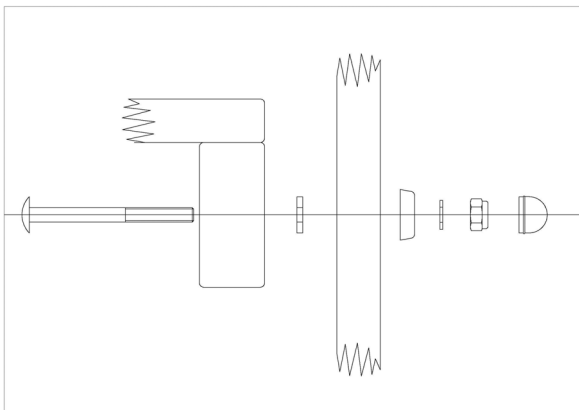
| Item No. | Description | Scale | Date | Page |
|-------------|-------------|-------|----------|------|
| 0-21612-500 | Castle | 1:50 | 03/23 EB | 6/7 |





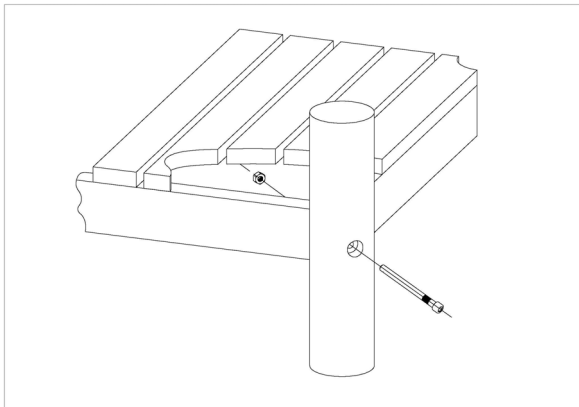
24 x SFES1270001 Reinforcing steel for stainless steel posts

| per set | total | item no. | material short text |
|---------|-------|----------|--------------------------------------|
| 2 | 48 | 2130000 | reinforcing steel Ø 10 x 310 DIN 488 |



15 x SFXS1210002 Waling timber for parapet fastening to platforms

| per set | total | item no. | material short text |
|---------|-------|----------|--|
| 1 | 15 | 3400651 | Mushroom head screw M10 x 95 DIN603 A2 |
| 1 | 15 | 3430108 | washer Ø 10,5 DIN 7349 A2 |
| 1 | 15 | 3300056 | white protective screw cap - lower part, M10 |
| 1 | 15 | 3430014 | washer Ø 10,5 DIN125 form B A2 |
| 1 | 15 | 3430048 | lock nut M10 DIN985 A2 |
| 1 | 15 | 3300057 | white protective screw cap - upper part, M10 |



43 x SFES1200001 Platform fastening to stainless steel post, nut on the side of the platform

| per set | total | item no. | material short text |
|---------|-------|----------|--------------------------------------|
| 1 | 43 | 3430021 | Lock nut M12 DIN985 A2 |
| 1 | 43 | 2030651 | Cheese head screw with pin M12 x 125 |

1 x SFWZ0000009 Hexagon insert socket driver 10mm 1/2" with borehole for Pin

| per set | total | item no. | material short text |
|---------|-------|----------|---|
| 1 | 1 | 2030170 | Hexagon insert socket driver 10 mm 1/2" |



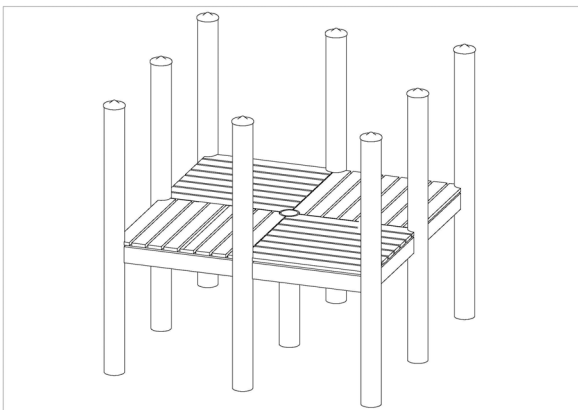
1 x SFWZ000012 lubricating metal (30 g box) incl. brush

| per set | total | item no. | material short text |
|---------|-------|----------|-----------------------------|
| 1 | 1 | 5200026 | brush for lubricating metal |
| 1 | 1 | 5300039 | lubricating metal box 30g |



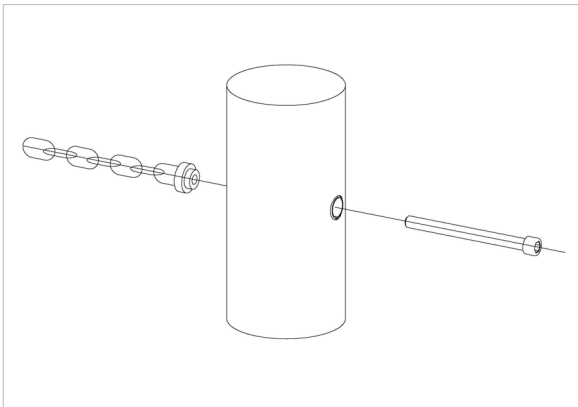
2 x SFES1200002 2 platforms arranged across in equal height at stainless steel posts

| per set | total | item no. | material short text |
|---------|-------|----------|--------------------------------------|
| 1 | 2 | 2030249 | Cheese head screw M12 x 150 with pin |
| 1 | 2 | 3430025 | washer Ø 13 DIN125 A2 |
| 1 | 2 | 3430021 | Lock nut M12 DIN985 A2 |



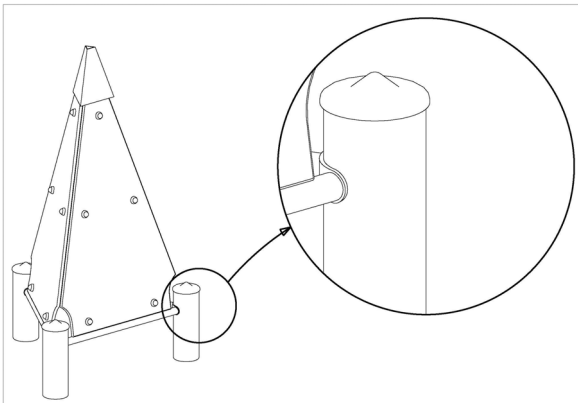
2 x SFES1230001 End link of a chain at a stainless steel post (with internal thread)

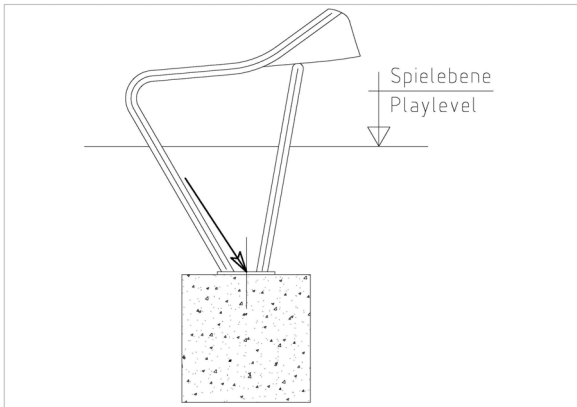
| per set | total | item no. | material short text |
|---------|-------|----------|--------------------------------------|
| 1 | 2 | 2030246 | Cheese head screw M12 x 110 with pin |



3 x SFES1240001 roof frame of spire roof 80°/72° at stainless steel posts

| per set | total | item no. | material short text |
|---------|-------|----------|--------------------------------------|
| 1 | 3 | 2030169 | Cheese head screw with pin M12 x 130 |
| 1 | 3 | 3430025 | washer Ø 13 DIN125 A2 |
| 1 | 3 | 3430051 | Hexagon cap nut M12 DIN 986 A2 |

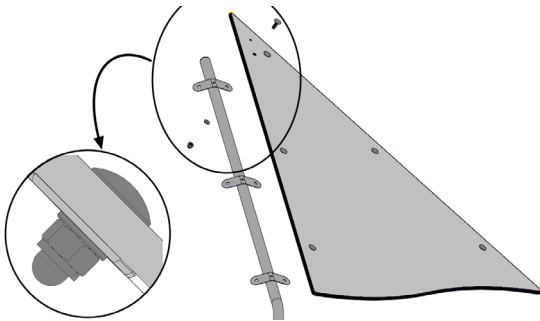




4 x **SFXS1070006** Slide run-out section (up to 2,00 m) on foundation stone bolt assembly

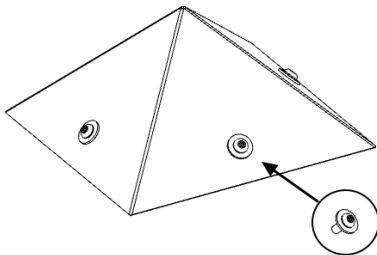
| per set | total | item no. | material short text |
|---------|-------|----------|--|
| 1 | 4 | 1070365 | Set of stone bolts for slide run-out section |

24 x **SFAS1240029** HPL panel fastening to roof pipe support



| per set | total | item no. | material short text |
|---------|-------|----------|---|
| 1 | 24 | 3430011 | hexagon cap nut M10 DIN986 A2 |
| 1 | 24 | 3430014 | washer Ø 10,5 DIN125 form B A2 |
| 1 | 24 | 3400138 | mushroom head screw square neck M10x30 DIN 603 A2 |

7 x **SFAS1240032** Roof hood fastening on HPL panels

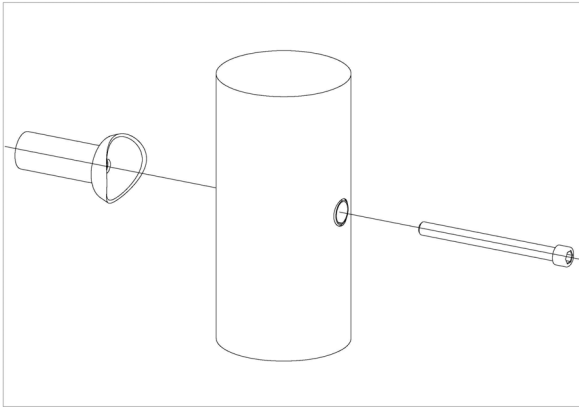


| per set | total | item no. | material short text |
|---------|-------|----------|---|
| 1 | 7 | 3400673 | Dome head screw M8x20 A2 Security Torx TR40 |
| 1 | 7 | 3430102 | Washer Ø 8.4 DIN9021 A2 |

1 x **SFWZ0000001** Security TORX wrench TR40

| per set | total | item no. | material short text |
|---------|-------|----------|------------------------------|
| 1 | 1 | 3490081 | Allen key security TORX TR40 |





126 x **SFES1210001** **Standard bolting of attachment parts**
(except platforms) to stainless steel posts

| <i>per set</i> | <i>total</i> | <i>item no.</i> | <i>material short text</i> |
|----------------|--------------|-----------------|------------------------------------|
| 1 | 126 | 2030168 | Cheese head screw with pin M12x140 |