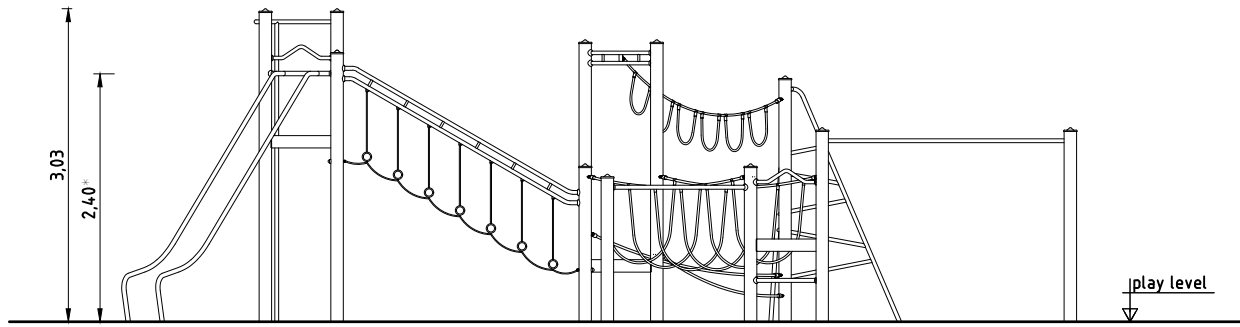


**Caution: Mount loop bridge, hand-over-hand loops and balancing ropes after process of setting of foundations has finished!**

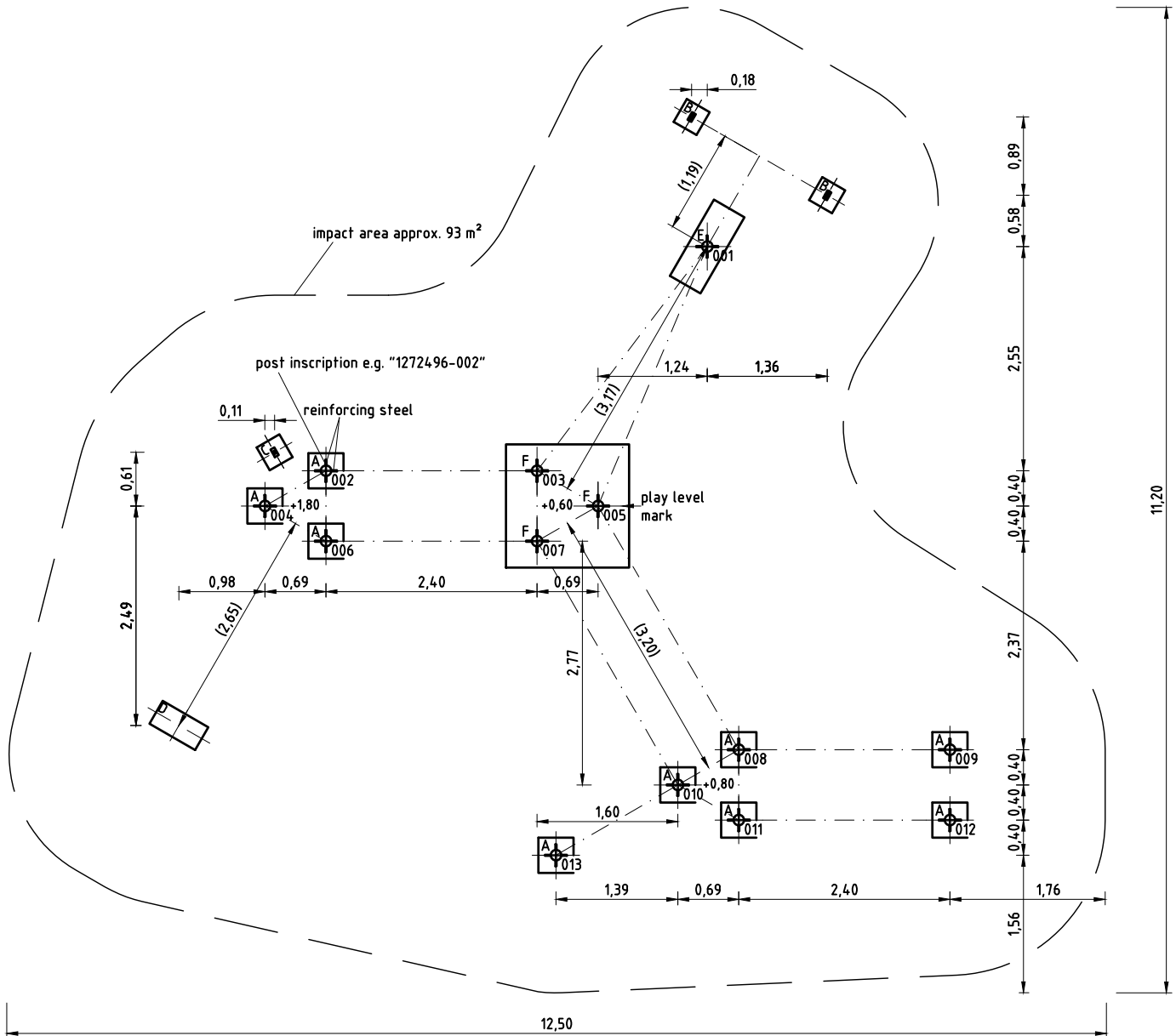
1. Assign location of equipment considering the space requirement/ impact area.
2. Excavate soil for foundations, acc. to drawing. To achieve maximum stability and a safe installation, a moderate level of soil solubility is required.  
**Please consider carefully foundations type E and F which have to be dug deeper relevant to the already excavated ground level for type A and B.**
3. Pour in a drain layer of gravel of approx. 10 cm thickness between the bottom of the steel posts and plain base of foundation.
4. Insert reinforcing steel into the corresponding holes of the steel posts.
5. Place posts type A/E/F (see foundation layout) according to the corresponding number into the respective foundation hole. Play level mark (= aluminium blind rivet) complies with the installation depth. Align posts by means of the play level mark facing into the same direction (see detail or foundation layout).
6. **For installation of the pre-assembled components and/or single parts, the screws slightly have to be lubricated with installation paste!**  
Screw together platforms and posts by using the centre hole in the mounting brackets.  
**Tighten all screws after having aligned all components.**  
Screw connections see details in list of screw cases attached.
7. Grout foundations with compressed concrete C20/25, chamfer and round off the edges, cover the foundations with a surface which meets the requirements for impact attenuation so that the critical fall height of the surfacing shall be equal to, or greater than, the free height of fall of the equipment (acc. to EN 1176-1).
8. Release for play after concrete foundations have set.
9. Check all screw connections acc. to maintenance instructions after 4-5 weeks and retighten, if necessary.

Please ensure that all special tools supplied (e.g. Allen key for secured Allen screws etc.) and all specific documents which are or may be useful for safety management acc. to EN 1176-7 (e.g. invoice, delivery note, order acknowledgement, installation instructions, maintenance instructions) are forwarded to the persons responsible .

**Necessarily insert all attachment parts before tightening the screws.  
It is NOT possible to insert them afterwards.**



\*max. free height of fall

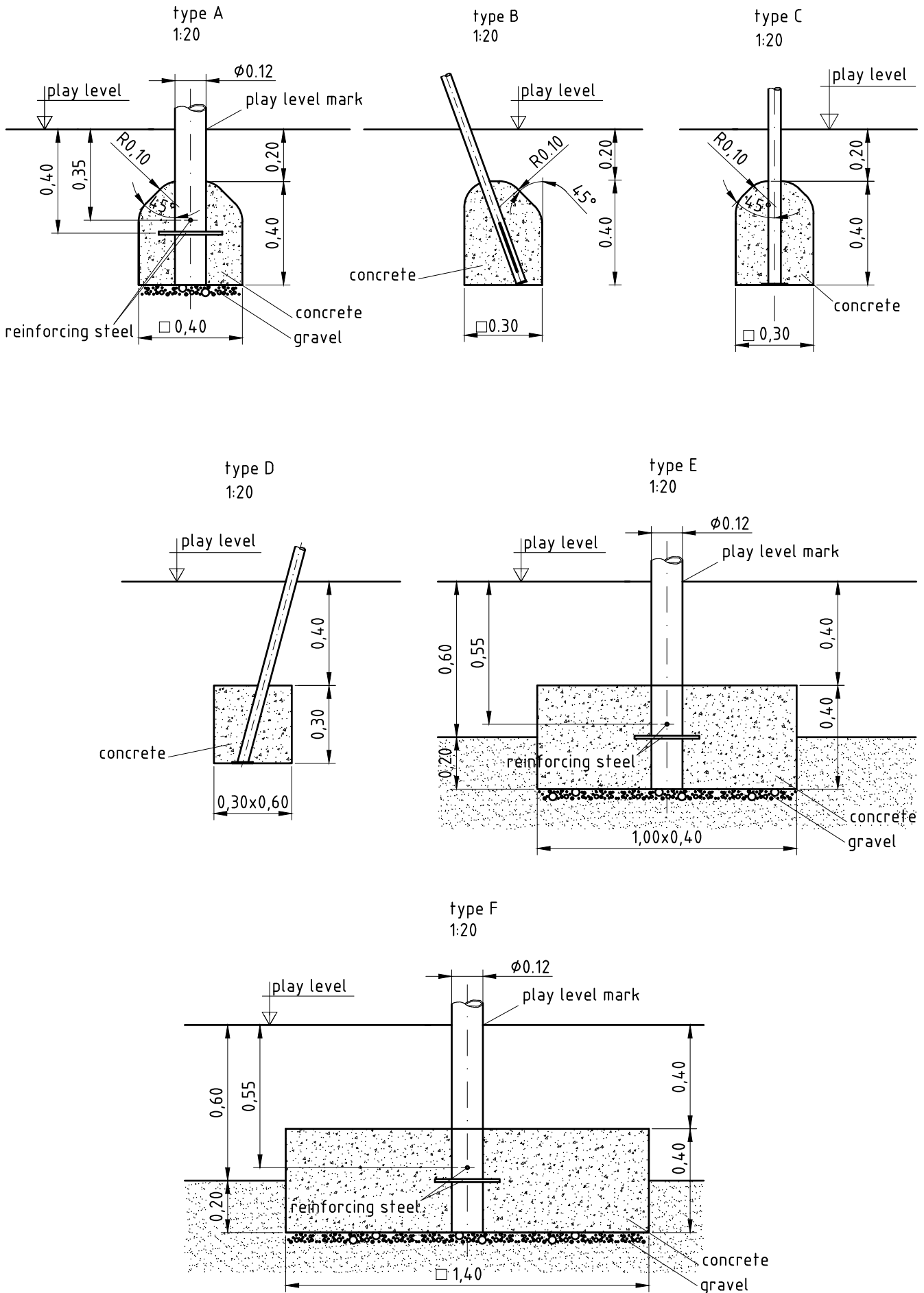


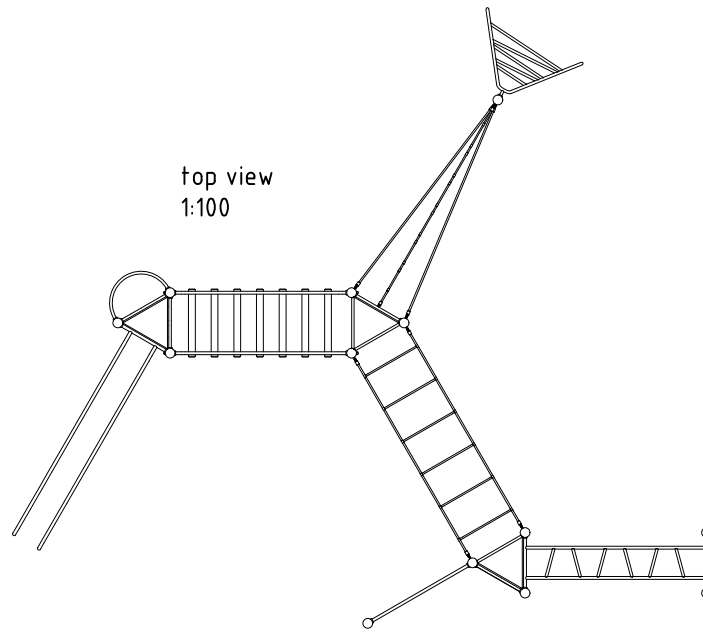
**Please note:**

Due to the format size, this installation is not to scale (apart from single details).

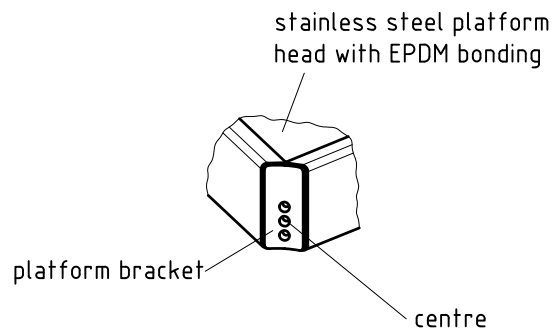
Please refer to the dimensions indicated.

An installation documentation scale 1:50 can be submitted on request.

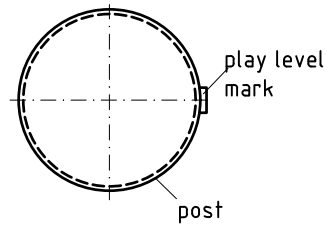




platform fastening  
1:10



play level mark  
1:5



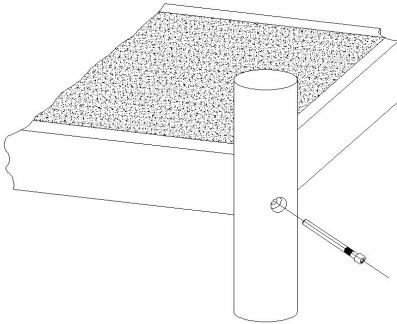
Item: **055490501**  
Climbing combination  
Location:

Order:

1297798

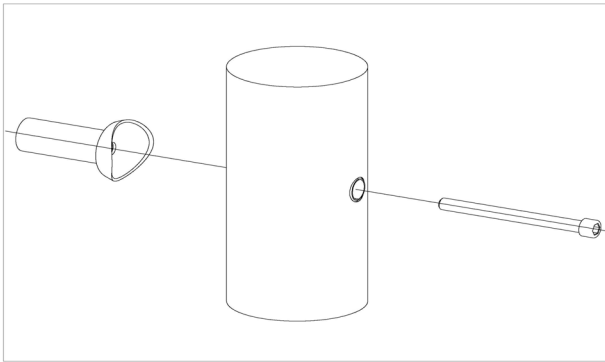
Building Project:

**9 x SFES1200013 Stainless steel platform (EPDM-coating) at stainless steel post**



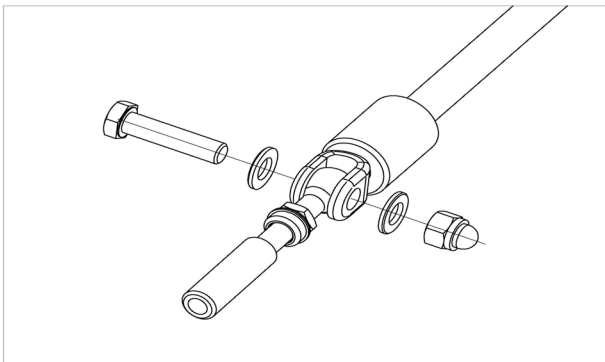
per SC	Total	K&K-Item	Marking
1 x	9 x	2030651	Cheese head screw with pin M12 x 125

**31 x SFES1210001 Standard bolting of attachment parts (except platforms) to stainless steel posts**



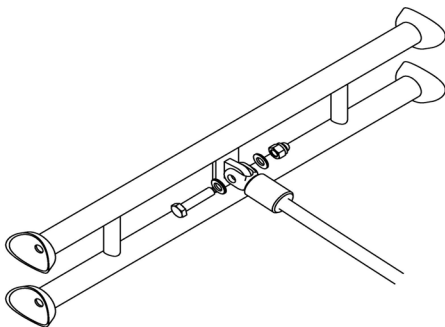
per SC	Total	K&K-Item	Marking
1 x	31 x	2030168	Cheese head screw with pin M12x140

**9 x SFXS1200026 Rope to rope clamp ES120-support post**



per SC	Total	K&K-Item	Marking
1 x	9 x	3400384	Hexagon screw M12 x 50 DIN931 A2
2 x	18 x	3430025	Washer Ø 13 DIN125 A2
1 x	9 x	3430051	Hexagon cap nut M12 DIN 986 A2

**1 x SFXS1200024 Brachiation loop rope at twin rail**



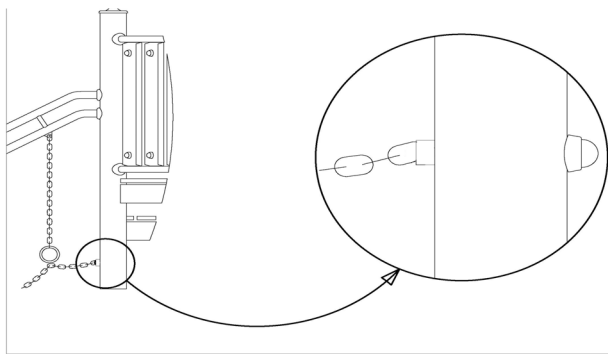
per SC	Total	K&K-Item	Marking
2 x	2 x	3430025	Washer Ø 13 DIN125 A2
1 x	1 x	3430051	Hexagon cap nut M12 DIN 986 A2
1 x	1 x	3400384	Hexagon screw M12 x 50 DIN931 A2

Item: **055490501**  
Climbing combination  
Location:

Order: 1297798

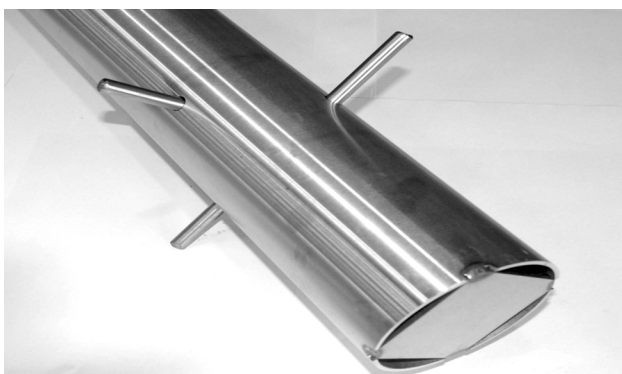
Building Project:

**4 x SFRS1200009 Timber-course connecting chain for totter bridge/  
totter bow to posts**



per SC	Total	K&K-Item	Marking
1 x	4 x	3300054	Red protective screw cap - lower part, domed M12
1 x	4 x	3300055	Red protective screw cap - upper part, domed M12
1 x	4 x	3430021	Lock nut M12 DIN985 A2
1 x	4 x	3430025	Washer Ø 13 DIN125 A2

**13 x SFES1270001 Reinforcing steel for stainless steel posts**



per SC	Total	K&K-Item	Marking
2 x	26 x	2130000	Reinforcing steel Ø 10 x 310 DIN 488

**1 x SFWZ0000009 Hexagon insert socket driver 10mm 1/2"  
with borehole for Pin**



per SC	Total	K&K-Item	Marking
1 x	1 x	2030170	Hexagon insert socket driver 10 mm 1/2" with drill hole for Pin

**1 x SFWZ0000012 Lubricating metal (30g box) incl. brush**



per SC	Total	K&K-Item	Marking
1 x	1 x	5300039	Lubricating metal box 30g
1 x	1 x	5200026	Brush for lubricating metal