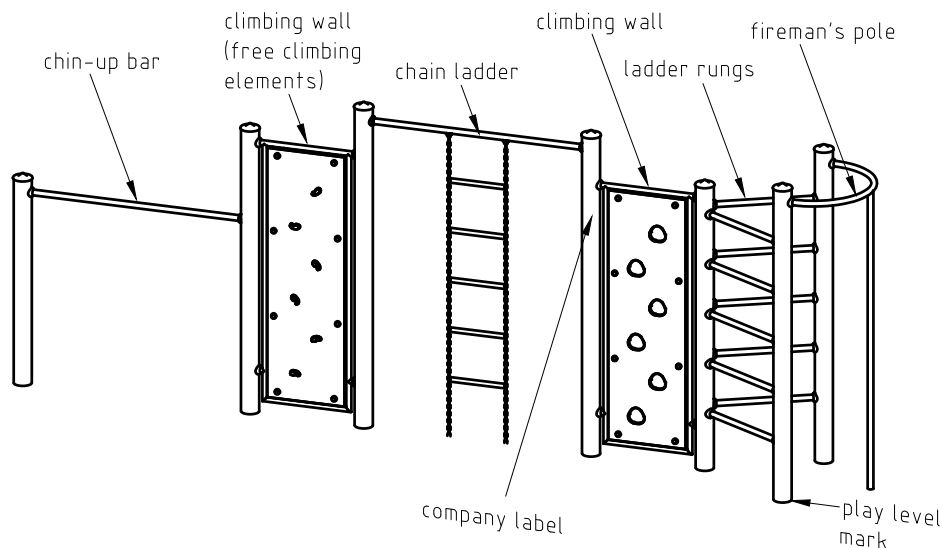


Spatial view



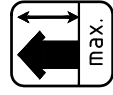
Installation instructions

1. Assign a device location considering the space requirements (impact area).
2. Excavate soil for foundations, according to drawing.
Please note: To achieve maximum stability and a safe installation, a moderate level of soil solubility is required.
3. Pour in a drain layer of gravel of approx. 10 cm thickness between the bottom of the posts and plain base of foundation.
4. Insert reinforcing steel into the corresponding holes of the posts.
5. Place posts type A and type B according to the corresponding number (see foundation layout) into the respective foundation hole. Play level mark (=aluminium blind rivet) complies with the installation depth. Align every post by means of the play level mark facing into the same direction (see detail or foundation layout).
6. **For installation of the pre-assembled components and/or single parts, the screws slightly have to be lubricated with installation paste!**
Tighten all screws after having aligned all components.
Screw connections see details in attached list.
7. Grout foundations with compressed concrete C20/25, chamfer and round off the edges, cover the foundations with a surface which meets the requirements for impact attenuation so that the critical fall height of the surfacing is equal to, or greater than, the free height of fall of the equipment (acc. to EN 1176-1).
8. Release for play after concrete foundations have set.
9. According to maintenance instructions, check all screw connections after 4-5 weeks and retighten, if necessary.

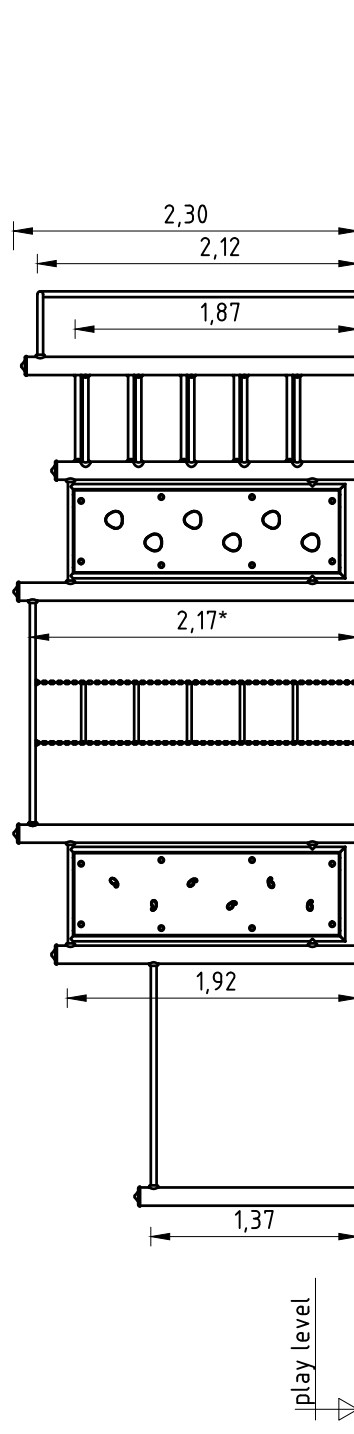
Please ensure that all special tools supplied (e.g. Allen key for secured Allen screws etc.) and all specific documents which are or may be useful for safety management acc. to EN 1176-7 (e.g. invoice, delivery note, order acknowledgement, installation instructions, maintenance instructions) are forwarded to the persons responsible.

Necessarily insert all attachment parts before tightening the screws. It is NOT possible to insert them afterwards.

Front view



dimension mark - total height of the equipment

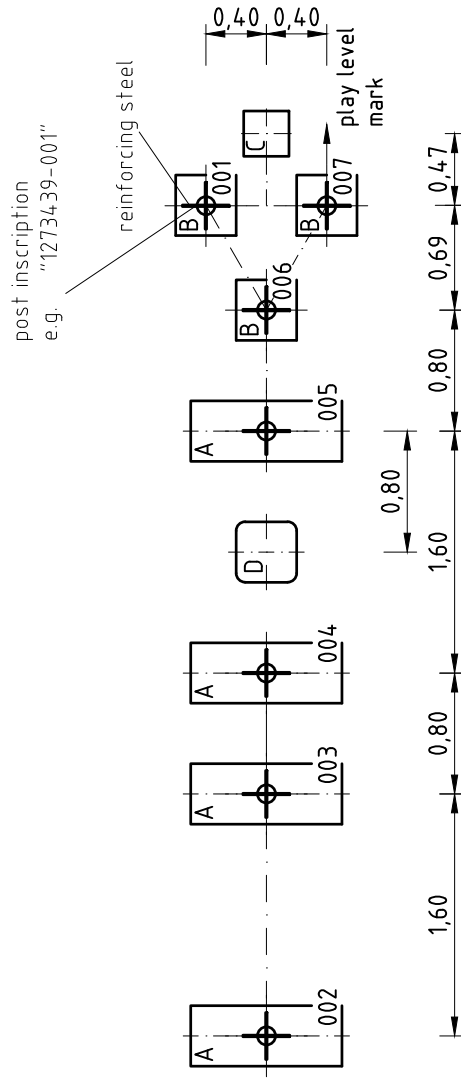


*

Space occupied by equipment
6,05 x 0,93 x 2,30 m

dimension mark - maximum free height of fall

Foundation plan



Foundations (on site)

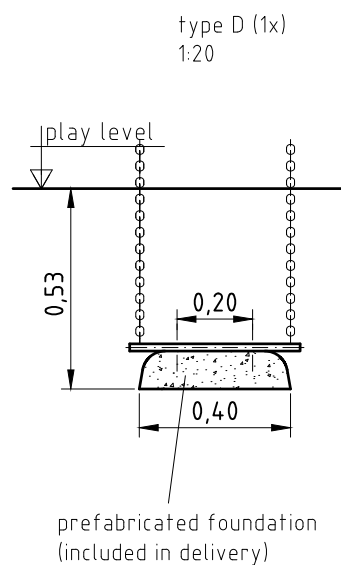
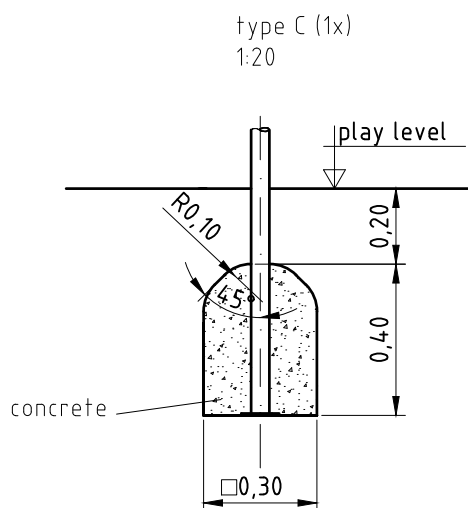
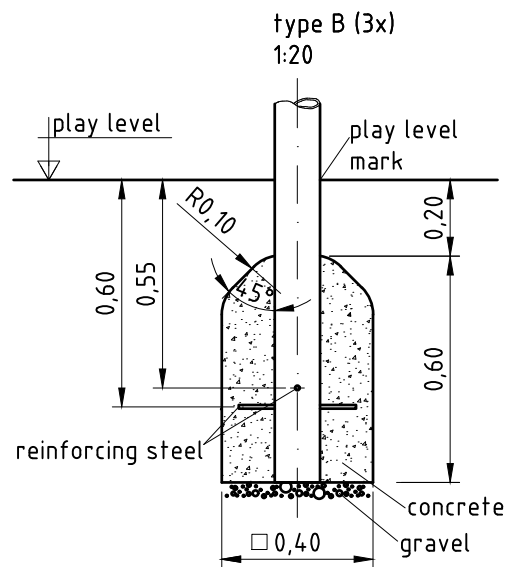
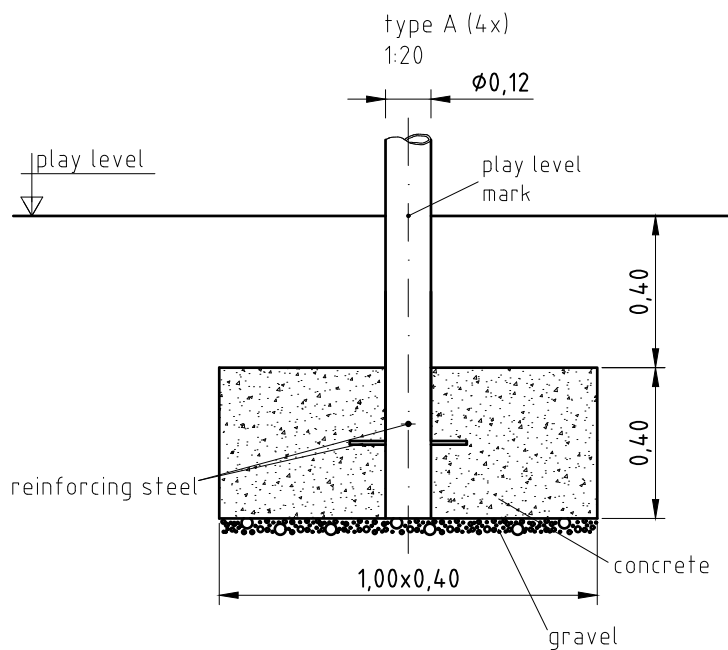
4x 1,00 x 0,40 x 0,40 m

3x 0,40 x 0,40 x 0,60 m

1x 0,30 x 0,30 x 0,40 m

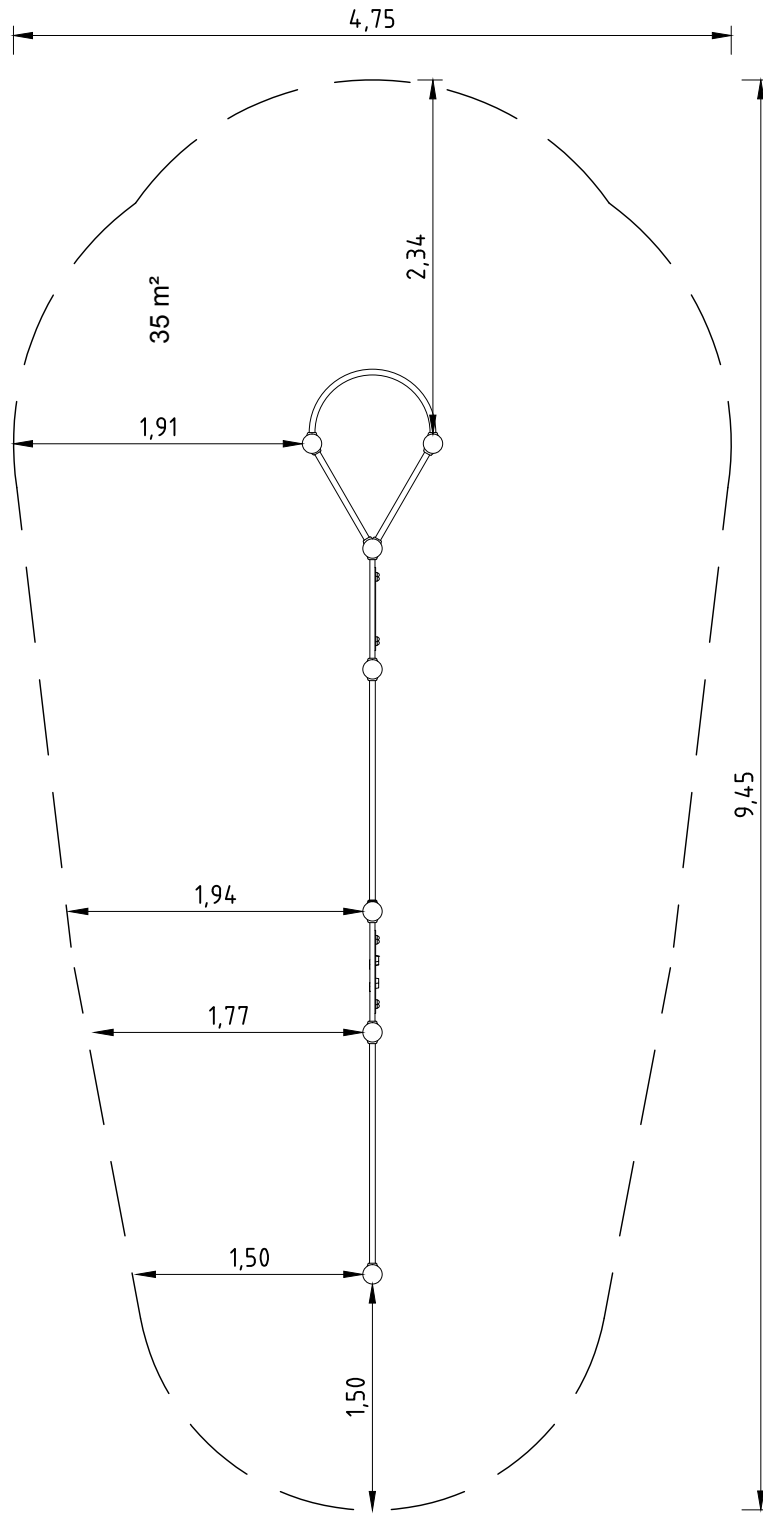
(approximate) concrete needs

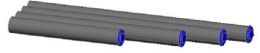



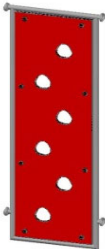

1m³


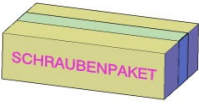


Top view & impact area

Minimum space
9,45 x 4,75 x 2,30 m



<u>parts list</u>		055414501	GB
item no.	quantity	description	image
1273439	1	set of (7 pcs.) of stainless steel posts Ø120 with protective stainless steel post cap / blue powder-coating RAL 5015	
1210360	1	stainless steel horizontal bar 1,60 m	
1230208	1	double-sided free climbing wall (0,80) red HPL	
1230023	1	chain ladder 1,60 m, installation height 2,15 m	
1230185	1	climbing wall (0,80) HPL red	
1210359	10	horizontal bar/ladder rung 0,80 m	

<u>parts list</u>			055414501	GB
item no.	quantity	description	image	
1230128	1	fireman's pole / height 2,10 m / horizontal arch		
1292773	1	fastening kit for 055414500/501		

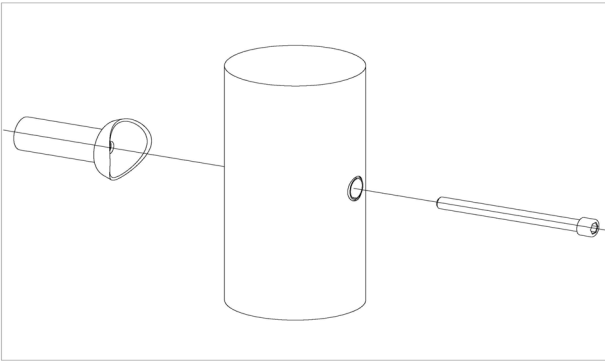
Item: **055414501**
 K&K Climbing combination
 Location:

Order:

1292773

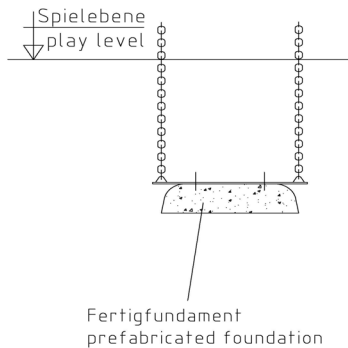
Building Project:

34 x SFES1210001 Standard bolting of attachment parts (except platforms) to stainless steel posts



per SC	Total	K&K-Item	Marking
1 x	34 x	2030168	Cheese head screw with pin M12x140

1 x SFAS1230012 Flat steel of chain ladder on foundation



per SC	Total	K&K-Item	Marking
2 x	2 x	3430025	Washer Ø 13 DIN125 A2
2 x	2 x	3400018	Hexagon screw M12 x 25 DIN933 A2

7 x SFES1270001 Reinforcing steel for stainless steel posts



per SC	Total	K&K-Item	Marking
2 x	14 x	2130000	Reinforcing steel Ø 10 x 310 DIN 488

1 x SFWZ0000009 Hexagon insert socket driver 10mm 1/2" with borehole for Pin



per SC	Total	K&K-Item	Marking
1 x	1 x	2030170	Hexagon insert socket driver 10 mm 1/2" with drill hole for Pin

Item: 055414501	Order:	1292773
K&K Climbing combination		
Location:	Building Project:	

1 x SFWZ0000012 Lubricating metal (30g box) incl. brush



per SC	Total	K&K-Item	Marking
1 x	1 x	5300039	Lubricating metal box 30g
1 x	1 x	5200026	Brush for lubricating metal