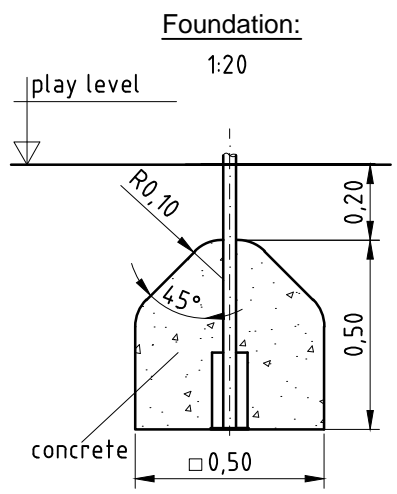
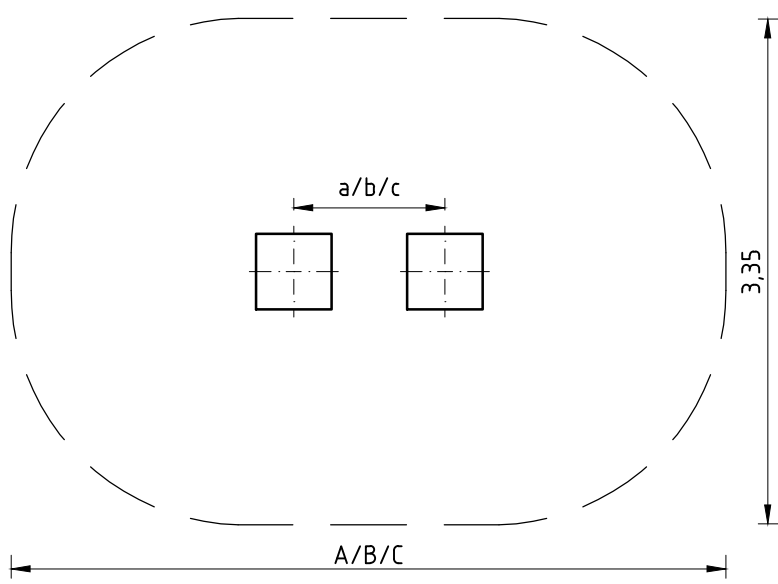
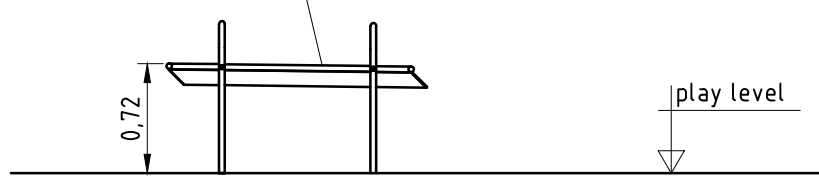


Install water trough with an inclination of 1° in direction of water flow.



1. Assign a location for the equipment considering the space requirement.
2. Excavate soil for foundations, according to drawing.
Please note: To achieve maximum stability and a safe installation, a moderate level of soil solubility is required.
- 3. Attention: For installation of the components, the screws have to be lubricated thinly with installation paste!**
4. Connect water trough to steel supports, put assembly into foundation holes and align it according to drawing. Grout foundations with compressed concrete C20/25, chamfer and round off the edges and cover foundations with surfacing material (acc. to EN 1176-1).
5. Release for play after concrete foundations have set.

Please take care that all special tools (e.g. special Allen key for secured Allen screws etc.) and all specific documents which are or may be useful for safety management acc. to EN 1176-7 (e.g. invoice, delivery note, order acknowledgement, installation instructions, maintenance instructions) are forwarded to the responsible persons.

Installation

Item-No.	Description	Scale	Date	Page
0-33250-000	K&K Water trough (0,80)	1:50	04/13 EB	1/1
0-33252-000	K&K Water trough (1,60)			
0-33254-000	K&K Water trough (2,40)			