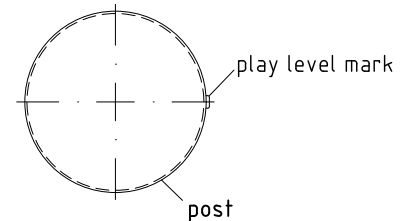


pre-assembled components signed with X
must be installed first

detail of play level mark
1:5



1. Assign a device location considering the space requirements (impact area).
2. Excavate soil for foundations, according to drawing.
Please note: To achieve maximum stability and a safe installation, a moderate level of soil solubility is required.
3. Pour in a drain layer of gravel of approx. 10 cm thickness between the bottom of the posts and plain base of foundation.
4. Insert reinforcing steel into the corresponding holes of the posts.
5. Place posts type A according to the corresponding number (see foundation layout) into the respective foundation hole. Play level mark (=aluminium blind rivet) complies with the installation depth. Align every post by means of the play level mark facing into the same direction (see detail or foundation layout).

For installation of the pre-assembled components and/or single parts, the screws slightly have to be lubricated with installation paste!

The sand box borderings below bench and infill barrier only have to be stuck into the respective drills of the corresponding posts.

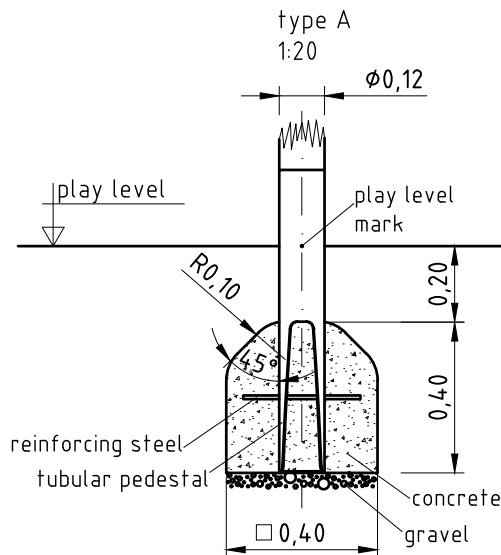
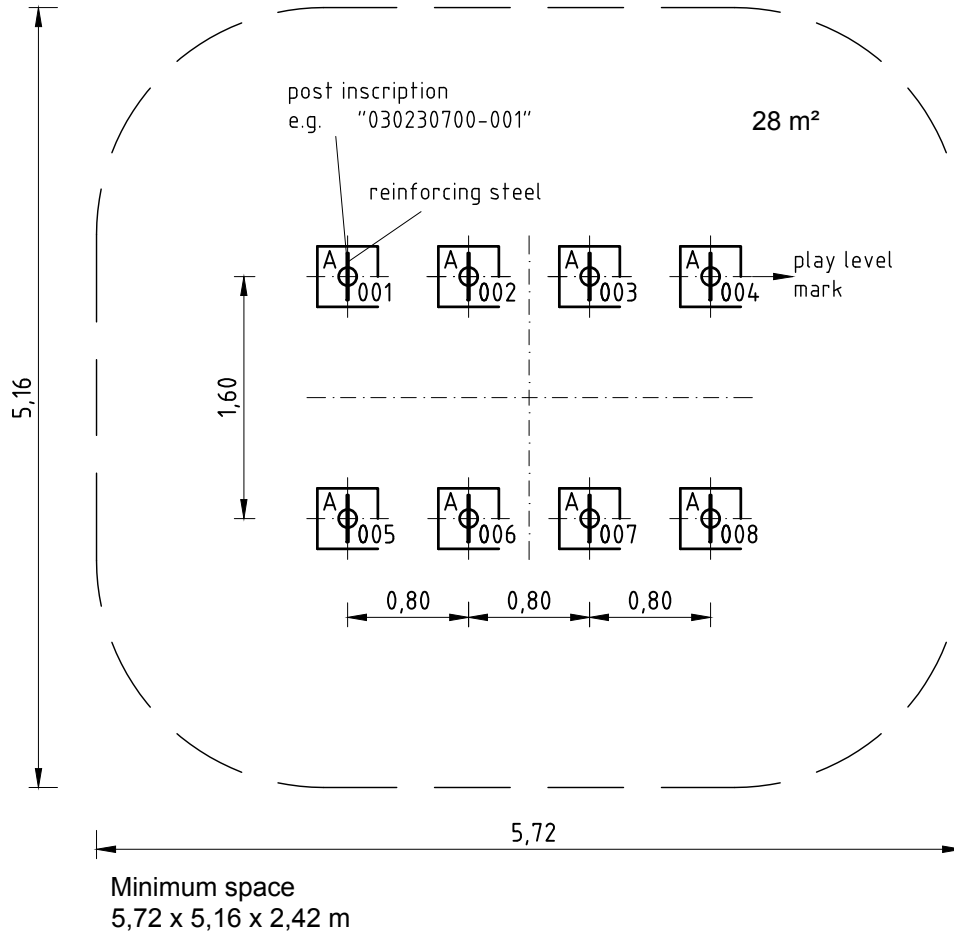
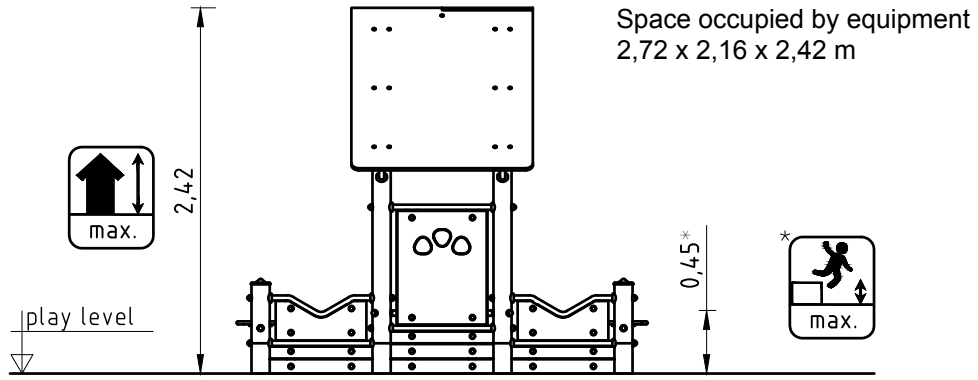
Tighten all screws after having aligned all components.


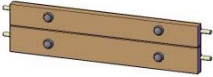
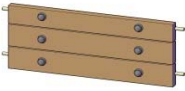


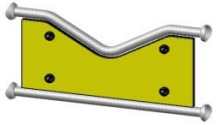
Screw connections see details in attached list.




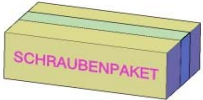
6. We recommend not to insert the protection caps enclosed before first maintenance as they are only suitable for one-time use (see description below).
7. Grout foundations with compressed concrete C20/25, chamfer and round off the edges, cover the foundations with a surface which meets the requirements for impact attenuation so that its critical fall height is equal to or greater than the maximum free height of fall of the equipment (acc. to EN 1176-1).
8. Release for play after concrete foundations have set.
9. According to maintenance instructions, check all screw connections after 4-5 weeks and retighten, if necessary. Afterwards cover the screw heads with protection caps as follows: Insert grey protection caps into the countersunk drills (e.g. for platforms). The non-countersunk drills (e.g. for railings or a slide) have to be covered with the red protection caps by placing them onto the base part. Strongly pound them (e.g. by using a plastic mallet) until they audibly snap into the base part groove.

Please ensure that all special tools supplied (e.g. Allen key for secured Allen screws etc.) and all specific documents which are or may be useful for safety management acc. to EN 1176-7 (e.g. invoice, delivery note, order acknowledgement, installation instructions, maintenance instructions) are forwarded to the persons responsible.

Necessarily insert all attachment parts before tightening the screws. It is NOT possible to insert them afterwards.



<u>parts list</u>		030230700	GB
item no.	quantity	description	image
	1	set of (8 pcs.) laminated Robinia posts Ø 120 equipped with stainless steel tubular pedestal short length = 600 mm / with bottom cut-outs and protective stainless steel post cap	
1210054	4	double timber sand enclosing element 0,80 m	
1210055	2	triple timber sand enclosing element 0,80 m	
1210057	2	triple timber sand enclosing element 1,60 m	
1220011	2	yellow HPL bench seat 1,60 m / curved form	
1210065	4	yellow infill panel 0,80 x 0,30 m with bent tube	

<u>parts list</u>		030230700	GB
item no.	quantity	description	image
1210008	2	infill panel 0,80 m x 0,80 m / blue HPL 3 cut-outs	
1220012	2	seat plate type1 / 0,80 m / red HPL	
1240037	1	gable roof 45° / 1,60 m x 0,80 m/ brown HPL	
1298868	1	fastening kit for 030230700	

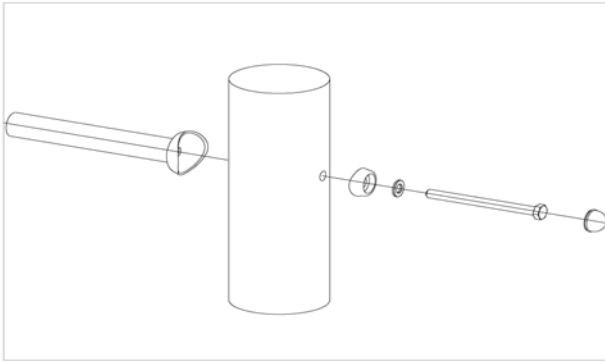
Item: **030230700**
 K&K Sand play space
 Location:

Order:

1298868

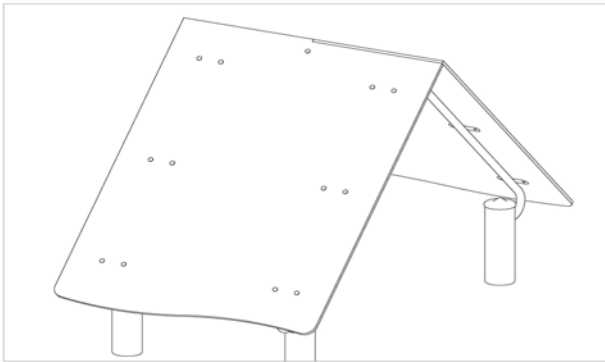
Building Project:

32 x SFRS1210001 Standard bolting for parapet, handrail, slide etc. at Robinia posts



per SC	Total	K&K-Item	Marking
1 x	32 x	3300054	Screw cap - lower part, domed M12 colour red/RAL 2002 PA6
1 x	32 x	3300055	Screw cap - upper part M12 P2 colour red/RAL 2002 PA6
1 x	32 x	3430025	Washer Ø 13 DIN125 A2
1 x	32 x	3400702	Hexagon head cap screw M12 x 160 DIN931 A2 with screw security coating FGB red

1 x SFAS1240005 Gable roof 1.6 m x 0.8 m HPL plates at stay tubes and bolted down angle brackets on the inside



per SC	Total	K&K-Item	Marking
26 x	26 x	3430011	Hexagon cap nut M10 DIN986 A2
1 x	1 x	6240001	Corner plate for gable roof 90°
26 x	26 x	3430014	Washer Ø 10,5 DIN 125 B A2
26 x	26 x	3400138	mushroom head screw square neck M10x30 DIN 60

8 x SFES1270007 Reinforcing steel for tubular pedestals



per SC	Total	K&K-Item	Marking
1 x	8 x	2130000	Reinforcing steel Ø 10 x 310 DIN 488

1 x SFWZ0000012 Lubricating metal (30g box) incl. brush



per SC	Total	K&K-Item	Marking
1 x	1 x	5300039	Lubricating metal box 30g
1 x	1 x	5200026	Brush for lubricating metal