

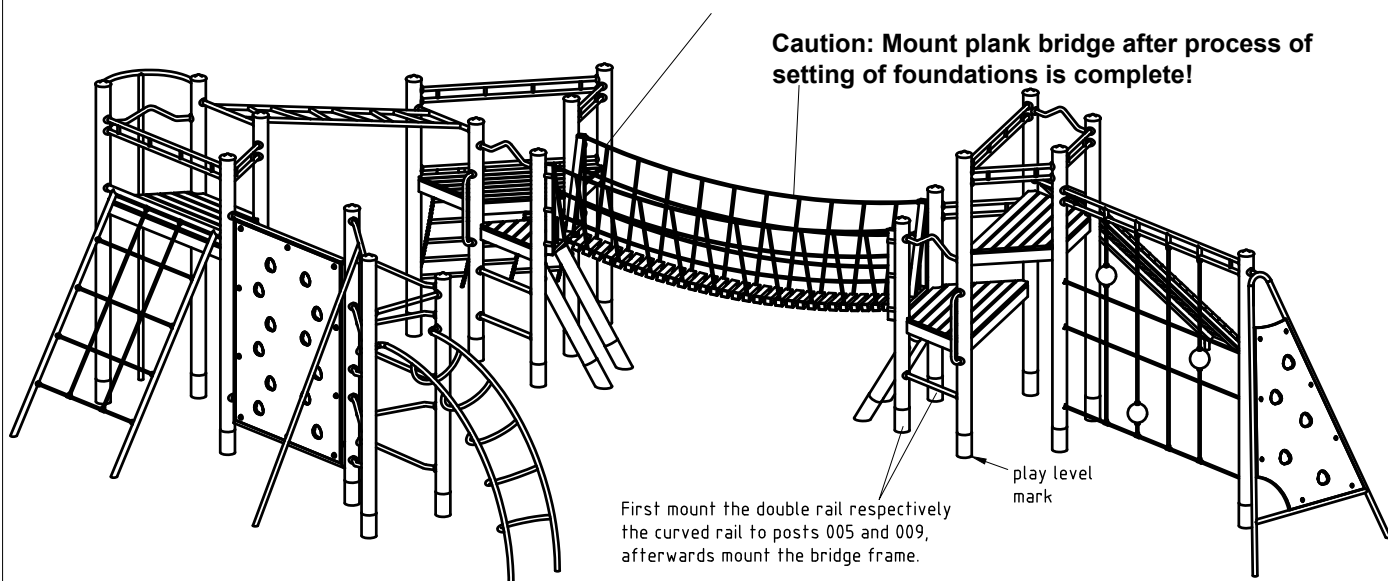
**Installation instructions for plank bridge**

(Screw connections of lateral rail ropes/net barrier to bridge frame see details in attached list)

- Screw together the eyebolts M12 at the rope ends of the wooden treads (two pieces on each side) and the fixing links of the bridge frame.

**Caution:** Do not clamp bolted connections, the eyebolts must remain flexible in the fixing links!

- Insert rope ends into connecting piece (socket) of bridge frame until the inner width between bridge frame and first vertical rope is at least 230 mm and the probe D (Ø 230 mm), specified in the standard for playground equipment and surfacing EN 1176-1, passes through the meshes of the lateral rail ropes. Perform test in the most onerous way. Once inserted into the socket, the aluminium sleeve pressed-on the rope end must be located behind the hole for oval head countersunk screw. Do not screw through the metal ring, this will destroy the rope end. Fix rope ends.
- The difference in height between the two terminal points must not exceed 0,0m. With an inclined installation, the meshes of the side rail ropes have to be checked for any possible head entrapment point, as specified in the standard for playground equipment and surfacing EN 1176-1. With the design of the lateral rail ropes given, each single mesh has to be big enough to facilitate that probe D (Ø 230 mm) passes through. Also perform this test in the most onerous way.



platform orientation  
1:100

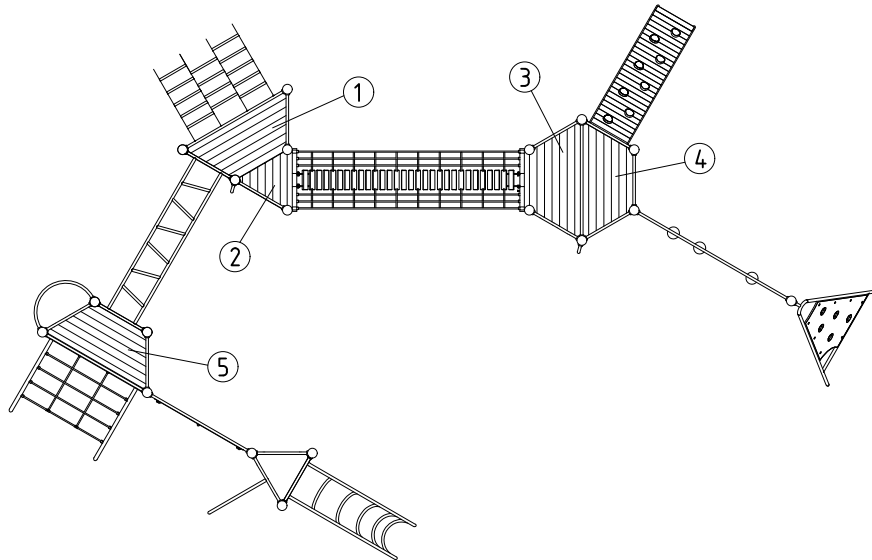


chart platform fastening

platform-nr.	fastening hole		
	top	middle	bottom
1		x	
2		x	
3		x	
4	x		
5		x	

1. Assign a device location considering the space requirement (impact area).
2. Excavate soil for foundations, according to drawing.  
Please note: To achieve maximum stability and a safe installation, a moderate level of soil solubility is required.
3. Pour in a drain layer of gravel of approx. 10 cm thickness between the bottom of the tubular pedestals and plain base of foundation.
4. Insert reinforcing steel into the corresponding holes of the tubular pedestals.
5. Place posts type A (see foundation layout) according to the corresponding number into the respective foundation hole. Play level mark (=aluminium blind rivet) complies with the installation depth. Align every post by means of the play level mark facing into the same direction (see detail or foundation layout).

**6. For installation of the pre-assembled components and/or single parts, the screws slightly have to be lubricated with installation paste!**

Screw together platforms and posts by using the respective hole in the mounting brackets (according to chart).

**Tighten all screws after having aligned all components.**

Install the slide exit with an inclination of 5° in sliding direction.

Screw connections see details in list of screw connections attached.

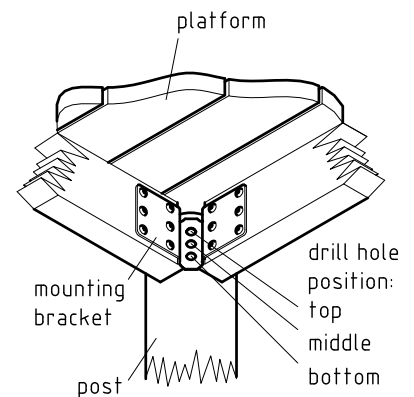
7. Grout foundations with compressed concrete C20/25, chamfer and round off the edges, cover the foundations with a surface which meets the requirements for impact attenuation so that the critical fall height of the surfacing is equal to, or greater than, the free height of fall of the equipment (acc. to EN 1176-1).
8. According to maintenance instructions, check all screw connections after 4-5 weeks and retighten, if necessary. Afterwards cover the screw heads with protection caps.

Please ensure that all special tools supplied (e.g. Allen key for secured Allen screws etc.) and all specific documents which are or may be useful for safety management acc. to EN 1176-7 (e.g. invoice, delivery note, order acknowledgement, installation instructions, maintenance instructions) are forwarded to the persons responsible.

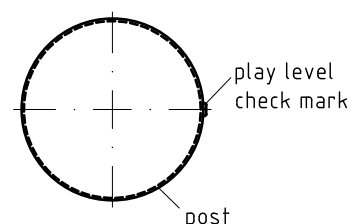
**Necessarily insert all attachment parts before tightening the screws.**

**It is NOT possible to insert them afterwards.**

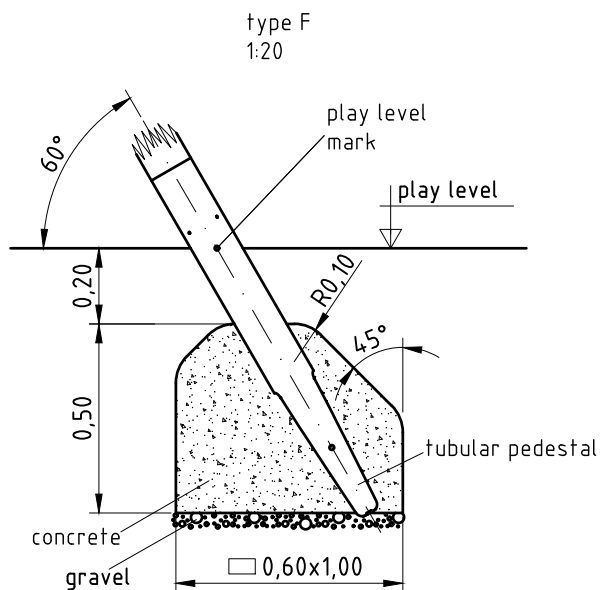
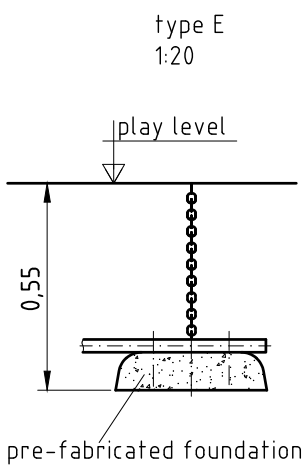
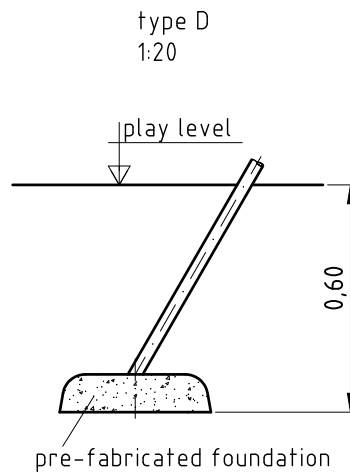
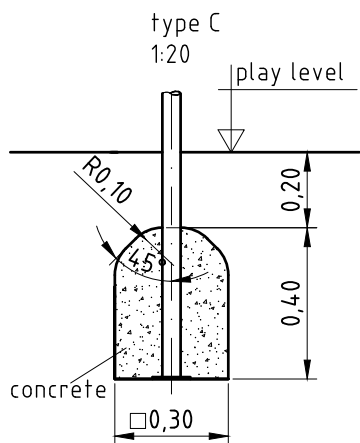
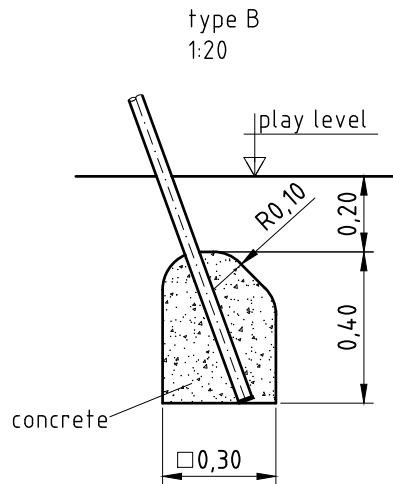
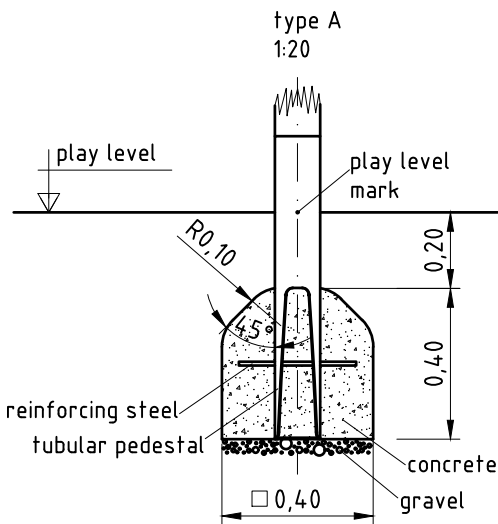
platform fastening  
1:10



detail of check mark  
1:5

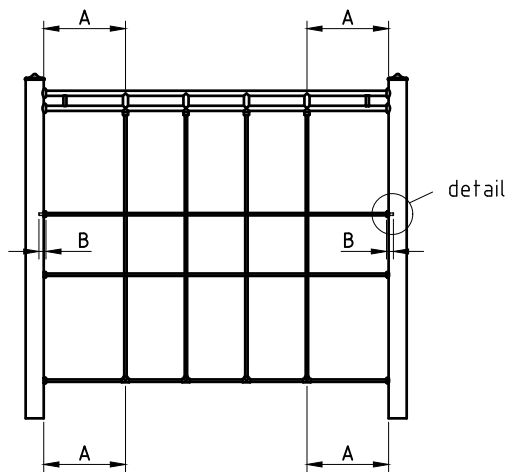






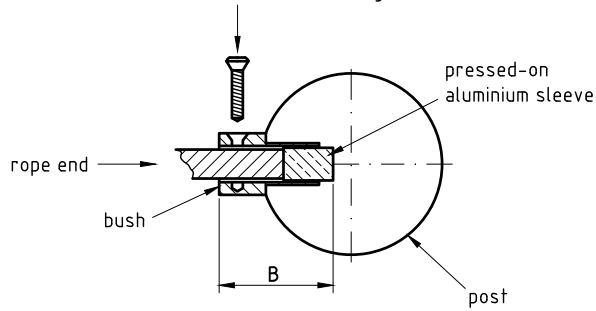
Installation of climbing net  
1:50

Insert horizontal rope ends into the bushes until the metal sleeve pressed-on the end is located behind the lateral drill. Center the net with average distances A and B.



topview detail  
1:5

oval-head countersunk screw-6,3x32-galv. (TORX PLUS IPR)



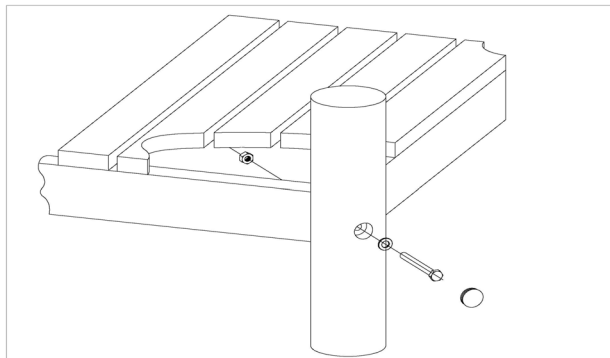
Item: **055600704**  
Climbing combination  
Location:

Order:

1295402

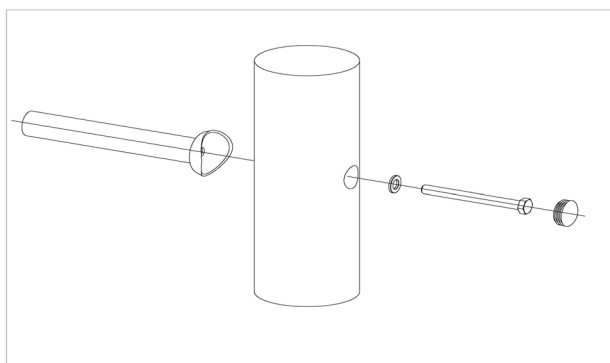
Building Project:

**19 x SFRS1200001 Platform at Robinia post, nut is platform-sided**



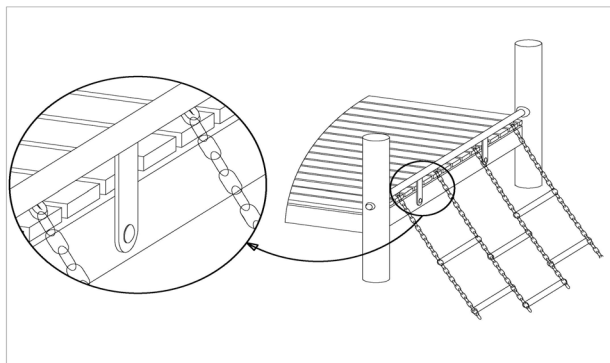
per SC	Total	K&K-Item	Marking
1 x	19 x	3430129	Washer Ø 14 DIN1440 A2
1 x	19 x	3430021	Lock nut M12 DIN985 A2
1 x	19 x	3300016	Grey domed plastic cover cap SL 36 G
1 x	19 x	3400700	Hexagon head screw M12 x 120 DIN931 A2 with screw security coating/FGB red

**95 x SFRS1230004 Standard bolting of climbing poles, ramps etc. to Robinia posts with countersunk holes**



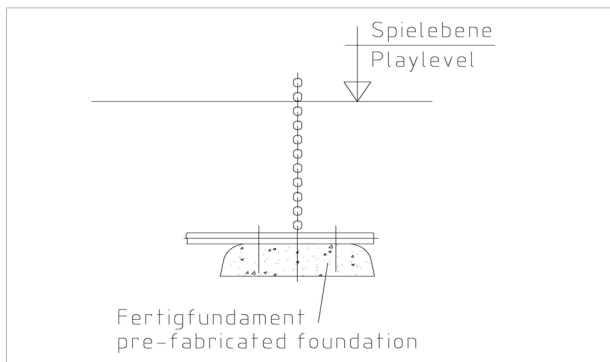
per SC	Total	K&K-Item	Marking
1 x	95 x	3300016	Grey domed plastic cover cap SL 36 G
1 x	95 x	3430129	Washer Ø 14 DIN1440 A2
1 x	95 x	3400701	Hexagon head cap screw M12 x 130 DIN931 A2 with screw retention coating/FGB red

**2 x SFXS1230003 Chain ladder 1,60 m at platform joist**



per SC	Total	K&K-Item	Marking
1 x	2 x	3430048	Lock nut M10 DIN985 A2
1 x	2 x	3300057	white protective screw cap - upper part, M10
1 x	2 x	3430014	Washer Ø 10,5 DIN125 form B A2
1 x	2 x	3300056	white protective screw cap - lower part, M10
1 x	2 x	3400416	Mushroom head screw M10 x 65 DIN603 A2

**6 x SFXS1230007 Connection pipe between chain ladder/space net/ climbing net and prefabricated foundation (item N° 15150)**



per SC	Total	K&K-Item	Marking
1 x	6 x	3430025	Washer Ø 13 DIN125 A2
1 x	6 x	3400498	Hexagon head cap screw M12 x 55 DIN931 A2

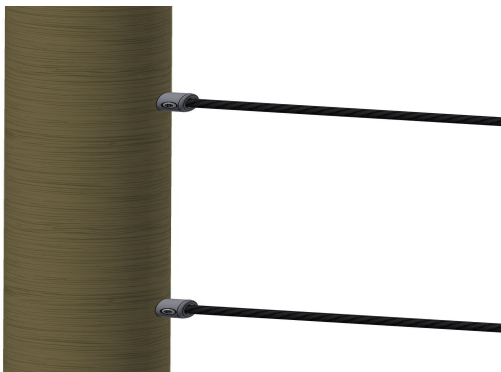
Item: **055600704**  
Climbing combination  
Location:

Order:

1295402

Building Project:

**6 x SFRS1230008 Climbing net/rope fastening to post**



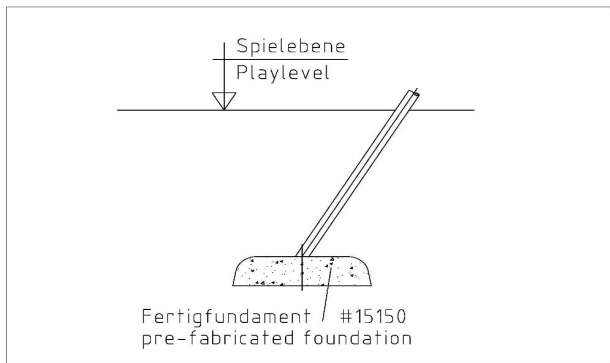
per SC	Total	K&K-Item	Marking
1 x	6 x	3400515	Oval head countersunk screw Torx Ø 6,3 x 32 galv.

**1 x SFWZ0000010 Security bit TORX PLUS IPR 30 x 25**



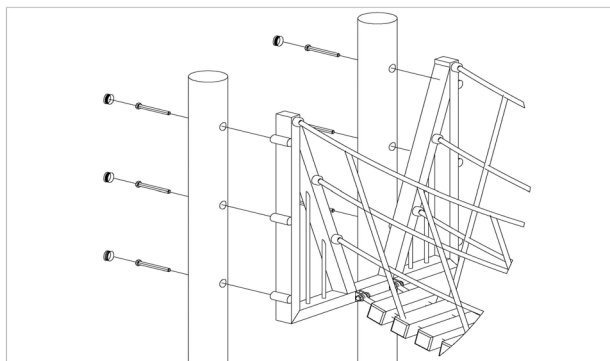
per SC	Total	K&K-Item	Marking
1 x	1 x	3490038	Security bit TORX PLUS IPR 30 x 25

**4 x SFXS1230009 Scramble up net / climbing net fastening to prefabricated foundation**



per SC	Total	K&K-Item	Marking
1 x	4 x	3430025	Washer Ø 13 DIN125 A2
1 x	4 x	3400018	Hexagon screw M12 x 25 DIN933 A2

**12 x SFRS1200006 Plank bridge frame at Robinia posts**



per SC	Total	K&K-Item	Marking
1 x	12 x	3300016	Grey domed plastic cover cap SL 36 G
1 x	12 x	3400395	Hexagon head cap screw M12 x 110 DIN931 A2
1 x	12 x	3430129	Washer Ø 14 DIN1440 A2

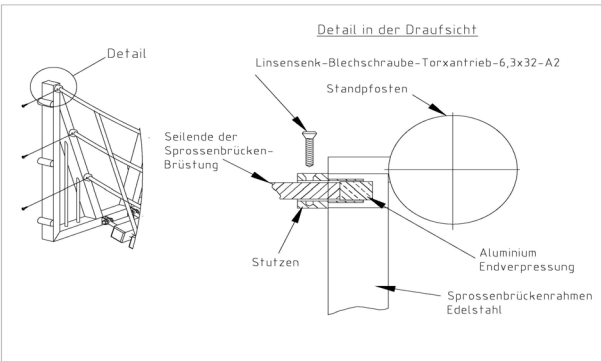
Item: **055600704**  
Climbing combination  
Location:

Order:

1295402

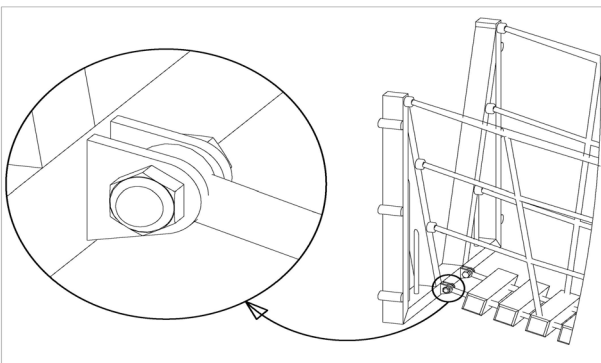
Building Project:

**12 x SFAS1200001 Plank bridge railing ropes in plank bridge frame**



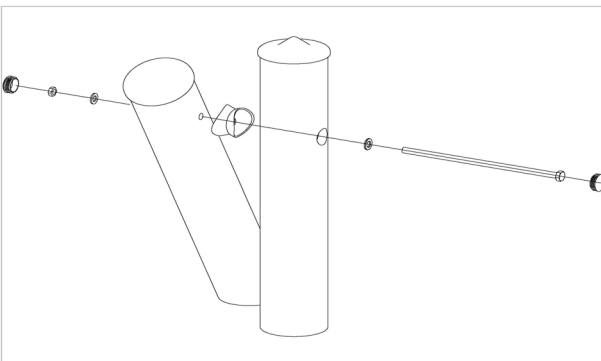
per SC	Total	K&K-Item	Marking
1 x	12 x	3400515	Oval head countersunk screw Torx Ø 6,3 x 32 galv.

**4 x SFAS1200004 Supporting cable for plank bridge at frame**



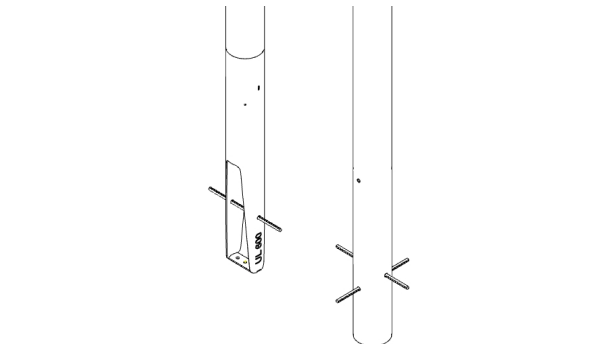
per SC	Total	K&K-Item	Marking
1 x	4 x	3430025	Washer Ø 13 DIN125 A2
1 x	4 x	3430051	Hexagon cap nut M12 DIN 986 A2
1 x	4 x	2030519	Fixing screw M12x45 for plank bridges

**4 x SFRS1200010 Robinia bridge-supporting post at vertical post**



per SC	Total	K&K-Item	Marking
2 x	8 x	3430129	Washer Ø 14 DIN1440 A2
1 x	4 x	3400486	Hexagon head cap screw M12 x 250 DIN931 A2
1 x	4 x	3430021	Lock nut M12 DIN985 A2
2 x	8 x	3300016	Grey domed plastic cover cap SL 36 G

**42 x SFAS1270001 Reinforcing steel bar for posts**



per SC	Total	K&K-Item	Marking
1 x	42 x	2130000	Reinforcing steel Ø 10 x 310 DIN 488



Item: **055600704**  
Climbing combination

Order:

1295402

Location:

Building Project:

**1 x SFWZ0000012 Lubricating metal (30 g box) incl. brush**



per SC	Total	K&K-Item	Marking
1 x	1 x	5300039	Lubricating metal box 30g
1 x	1 x	5200026	Brush for lubricating metal