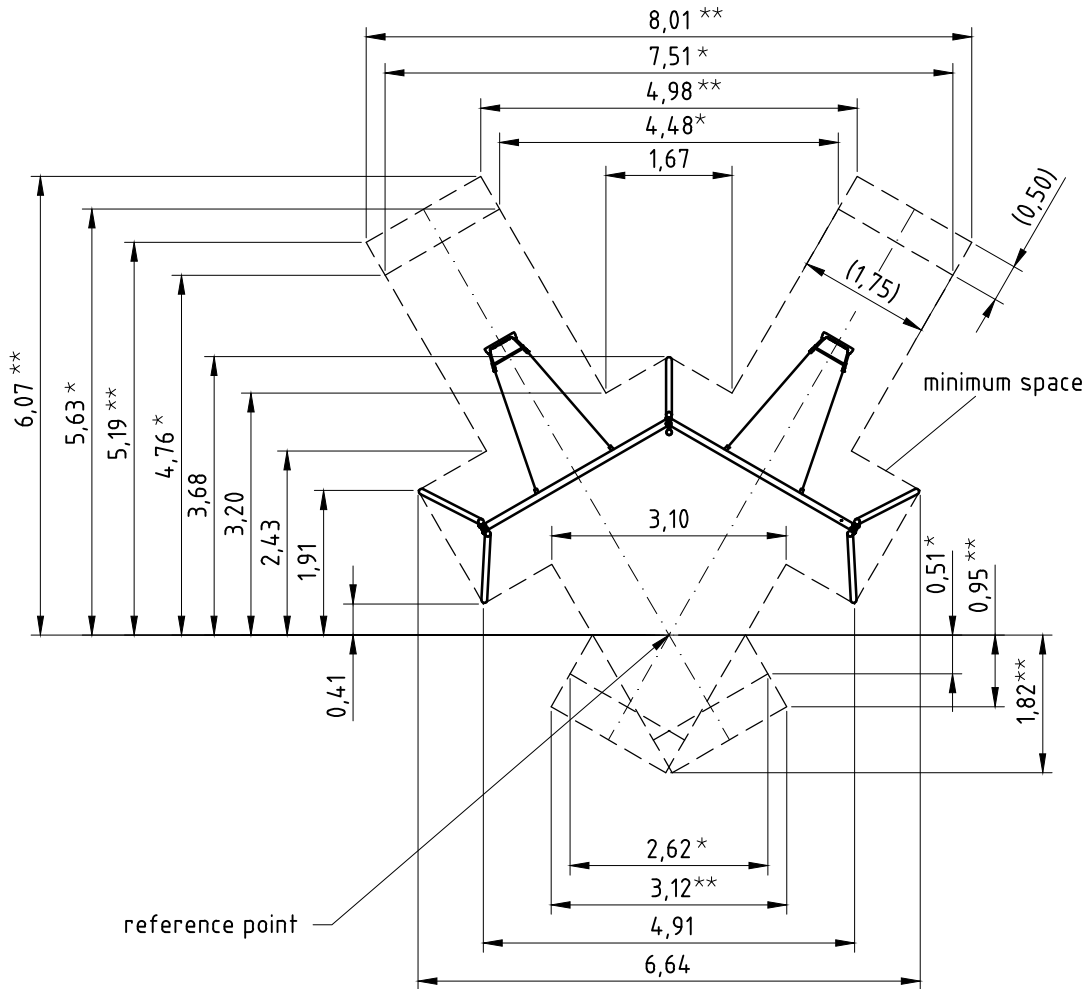


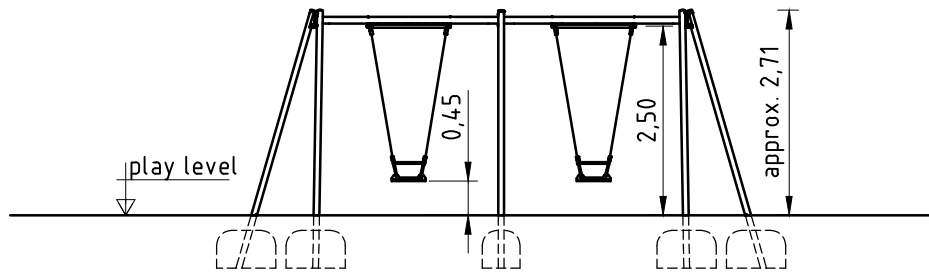
1. Assign location of equipment considering the minimum space requirement (impact area).
2. Excavate soil for foundations, according to drawing.
Please note: To achieve maximum stability and safe installation, a moderate level of soil solubility is required.
3. **Attention: Before fastening the posts to the swing crossbeam, slightly lubricate the screws with installation paste!**
4. Screw steel posts to crossbeam according to drawing.
Put assembled equipment into foundation holes and align it.
5. Grout foundations with compressed concrete C20/25, chamfer and round off the edges and cover with a surface which meets the requirements for impact attenuation so that the critical fall height of the surfacing shall be equal to, or greater than, the free height of fall of the equipment (acc. to EN 1176-1).
6. After concrete foundations have set, attach chains to chain adapters in swing axle: unscrew cheese-head screw (M8x20) inside adapter, insert last chain link and fix it with the screw. Attention: the cheese-head screw slightly has to be lubricated with installation paste! Please note that the cheese-head screw has to be tightened stoutly e.g. with an Allen key or a catch without overwinding the screw.
7. If necessary, shorten length of chain in order to ensure ground clearance of at least 0,45 m.
8. Check all screw connections according to maintenance instructions after 4-5 weeks and retighten, if necessary.

Please ensure that all special tools (e.g. special Allen key for secured Allen screws etc.) and all specific documents which are or may be useful for safety management acc. to EN 1176-7 (e.g. invoice, delivery note, order acknowledgement, installation instructions, maintenance instructions) are forwarded to the persons responsible .

minimum space:

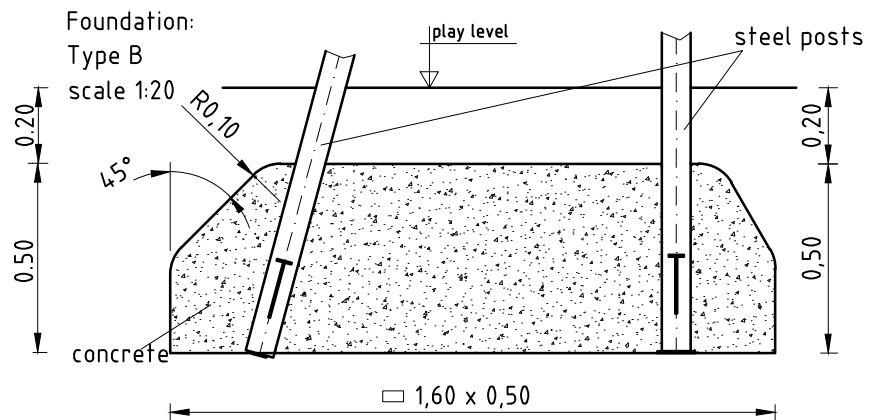
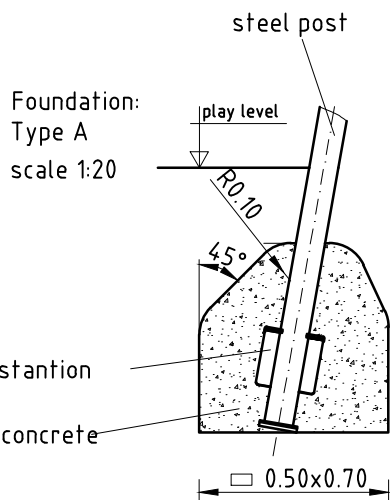
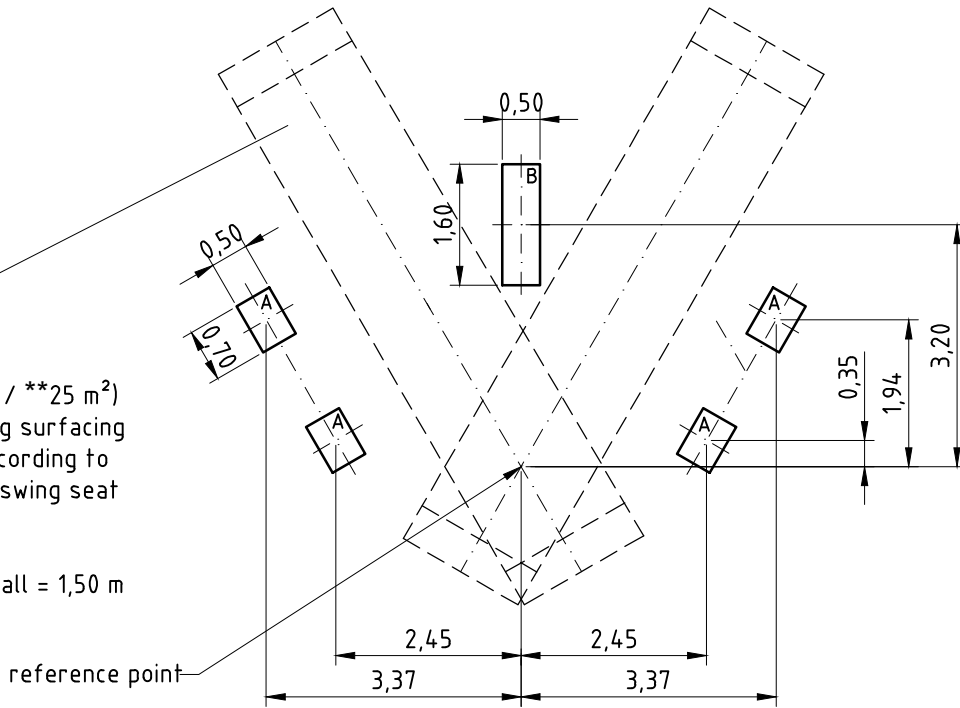


- * measure in case of synthetic surfacing with impact absorbing effect that is level with the surrounding area (cf. EN 1176-2).
- ** measure in case of natural surfacing with impact absorbing effect (cf. EN 1176-2).



impact area
(approx. *22 m² / **25 m²)
impact absorbing surfacing
below swing, according to
any position of swing seat
in use.

free height of fall = 1,50 m



* measure in case of synthetic surfacing with impact absorbing effect
that is level with the surrounding area (cf. EN 1176-2 / 4.10.2.1).

** measure in case of natural surfacing with impact absorbing effect (cf. EN 1176-2 / 4.10.2.1).