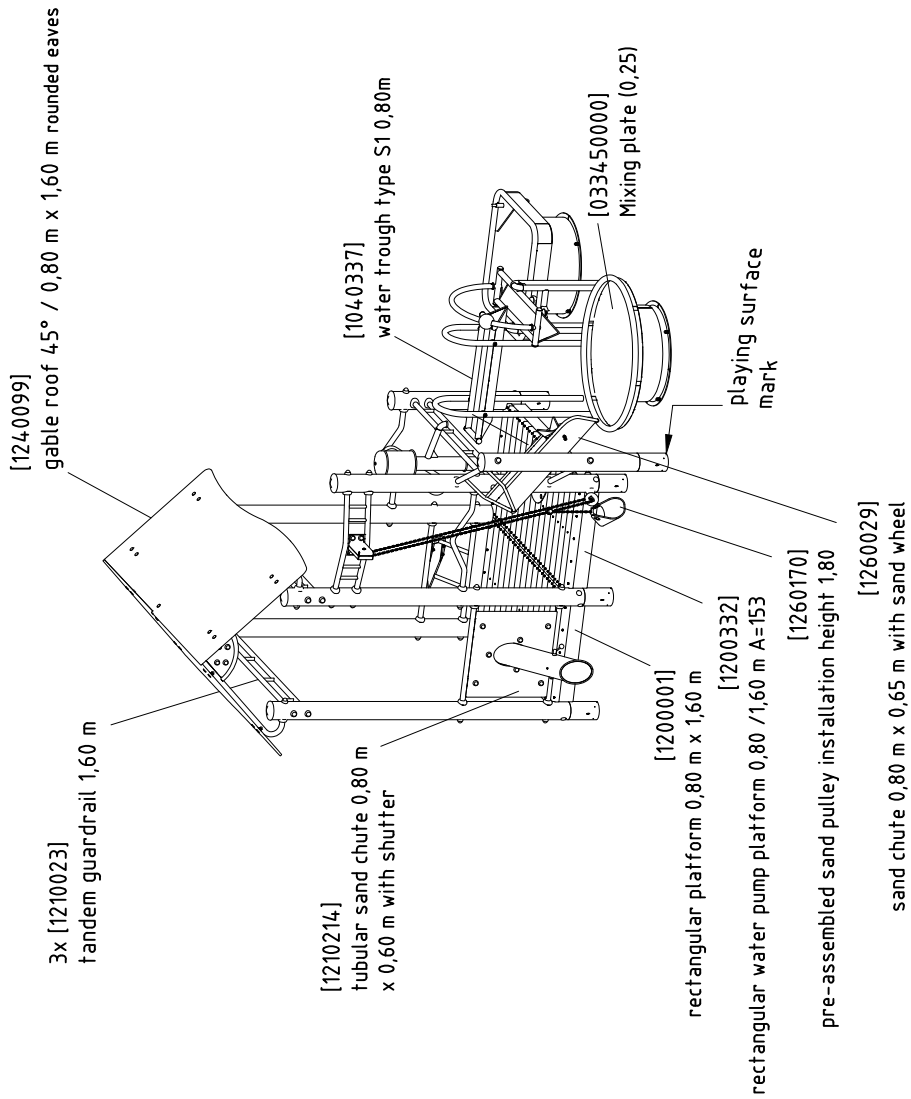


# Installation



dimension mark - maximum free height of fall

Item No.

034400500/700

Description

Water play structure

Scale

1:50

Date

10/22 EB

Page

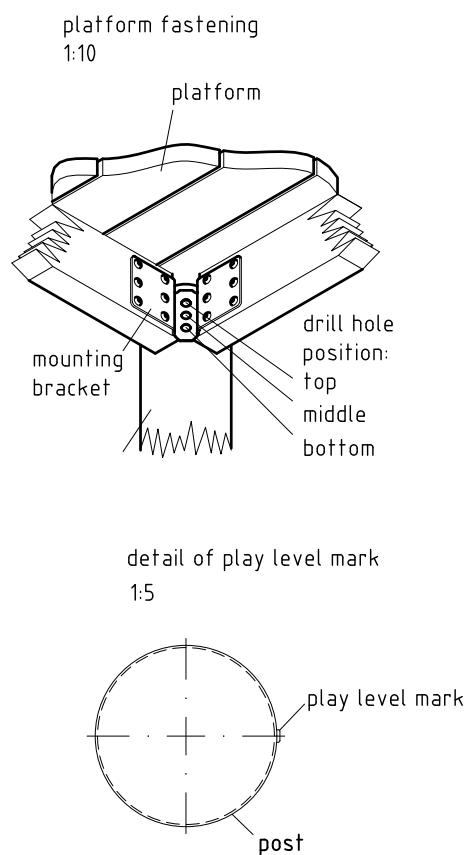
1/5

## Installation instructions

1. Assign a device location considering the space requirement (impact area).
2. Excavate soil for foundations, according to drawing.  
Please note: To achieve maximum stability and a safe installation, a moderate level of soil solubility is required.
3. Pour in a drain layer of gravel of approx. 10 cm thickness between the bottom of the posts and plain base of foundation.
4. Insert reinforcing steel into the corresponding holes of the posts.
5. Place posts type A according to the corresponding number (see foundation layout) into the respective foundation hole. Play level mark (=aluminium blind rivet) complies with the installation depth. Align every post by means of the play level mark facing into the same direction (see detail or foundation layout).
6. **For installation of the pre-assembled components and/or single parts, the screws slightly have to be lubricated with installation paste!**  
Screw together platform and posts by using the respective hole in the mounting brackets (according to "**chart for platform fastening**").  
**Tighten all screws after having aligned all components.**  
Screw connections see details in attached list.  
We recommend not to insert the protection caps enclosed before first maintenance as they are only suitable for one-time use.
7. Grout foundations with compressed concrete C20/25, chamfer and round x off the edges, cover the foundations with a surface which meets the requirement for impact attenuation so that its critical fall height is equal to or greater than the maximum free height of fall of the equipment (acc. to EN 1176-1).
8. Release for play after concrete foundations have set.
9. According to maintenance instructions, check all screw connections after 4-5 weeks and retighten, if necessary. Afterwards cover the screw heads with protection caps.

Please ensure that all special tools supplied (e.g. Allen key for secured Allen screws etc.) and all specific documents which are or may be useful for safety management acc. to EN 1176-7 (e.g. invoice, delivery note, order acknowledgement, installation instructions, maintenance instructions) are forwarded to the persons responsible.

**Necessarily insert all attachment parts before tightening the screws. It is NOT possible to insert them afterwards.**



Top view & impact area

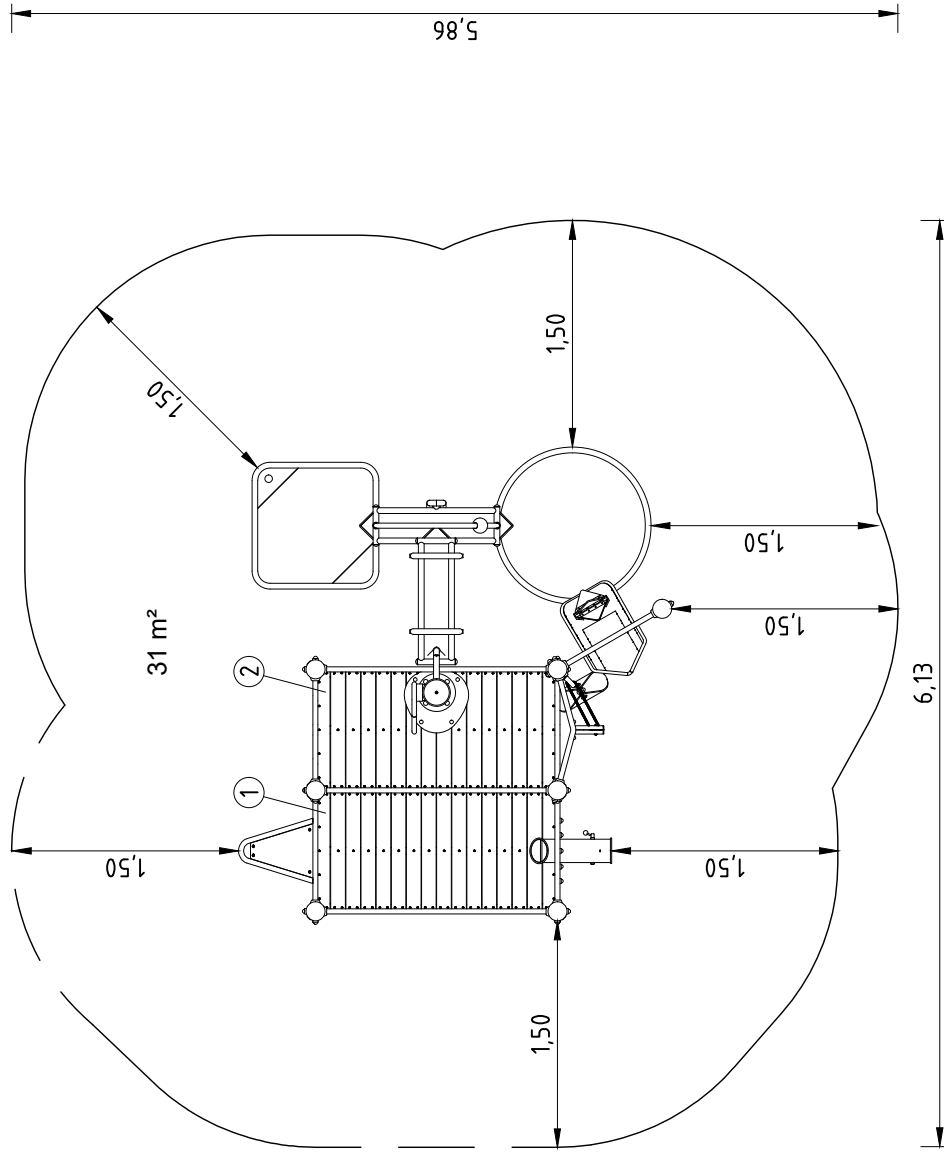
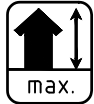


chart for platform fastenings

| No. | height | drill hole position in mounting bracket |        |        |
|-----|--------|---|--------|--------|
|     |        | top                                     | middle | bottom |
| (1) | 0,30 m | x                                       |        |        |
| (2) | 0,30 m |   | x      |        |

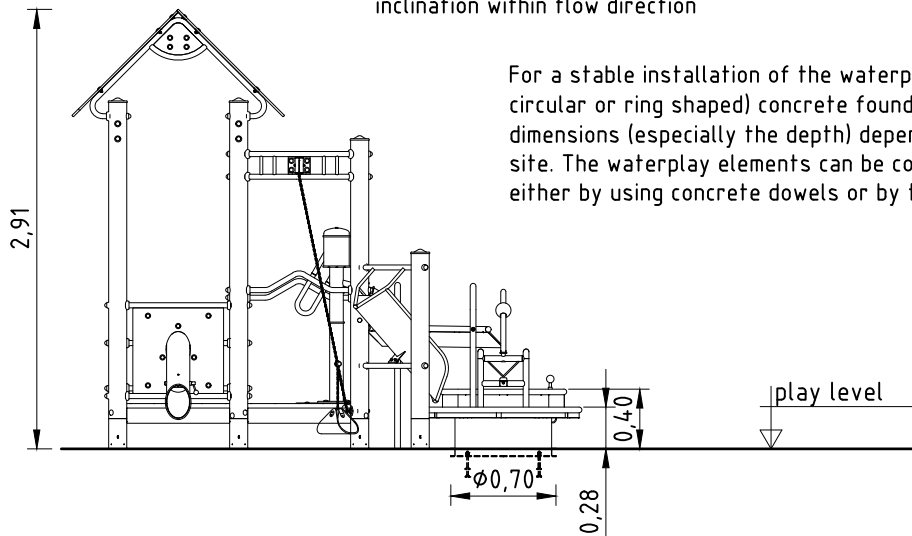
Minimum space  
6,13 x 5,84 x 2,91 m

## Front view

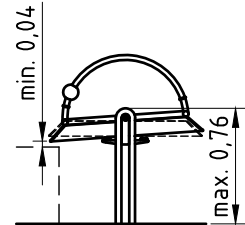


dimension mark - total height of the equipment

Fix water trough(s) with 1° inclination within flow direction



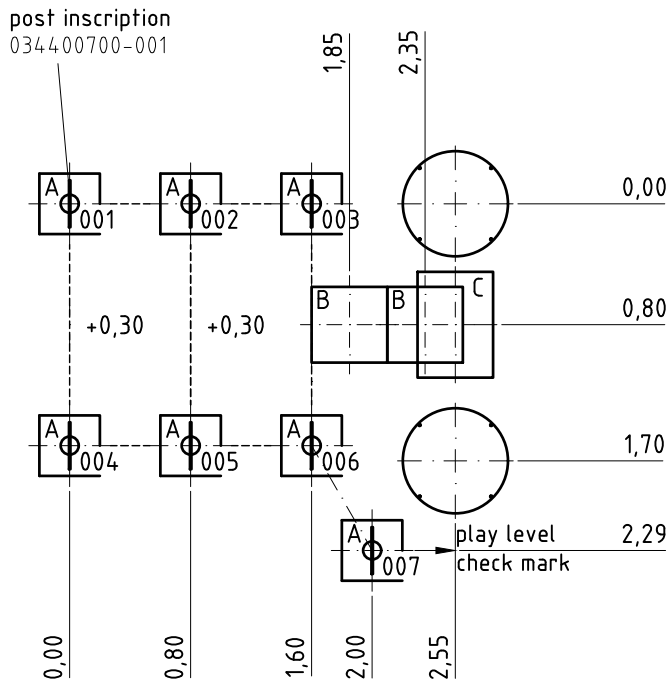
For a stable installation of the waterplay elements, additional (e.g. circular or ring shaped) concrete foundations are necessary. Their dimensions (especially the depth) depend on the soil conditions on site. The waterplay elements can be connected to the foundations either by using concrete dowels or by the stone bolts provided.



Please note:  
Keep to minimum clearance between inclined, loaded trough and top edge of water play equipment below!

Space occupied by equipment  
3,37 x 2,88 x 2,91 m

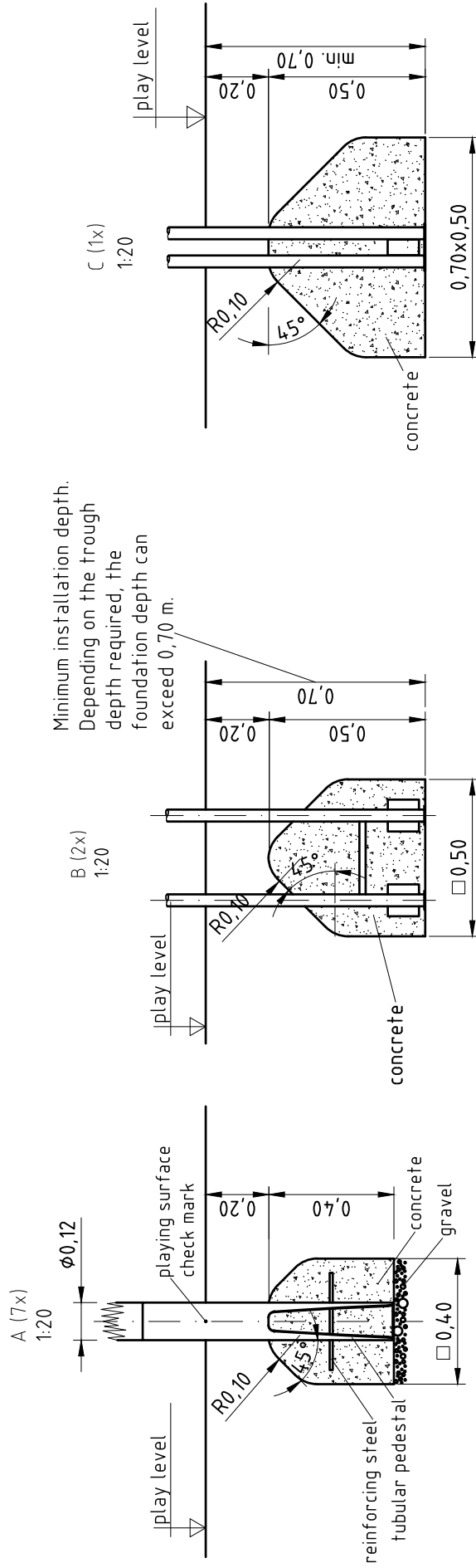
## Foundation plan



foundations (on site)  
7x 0,40 x 0,40 x 0,40 m  
2x 0,50 x 0,50 x 0,50 m  
1x 0,50 x 0,70 x 0,50 m

According to the foundation layout, some foundations converge or overlap slightly which permits to connect them.

(approximate) concrete needs  
0,9 m<sup>3</sup>



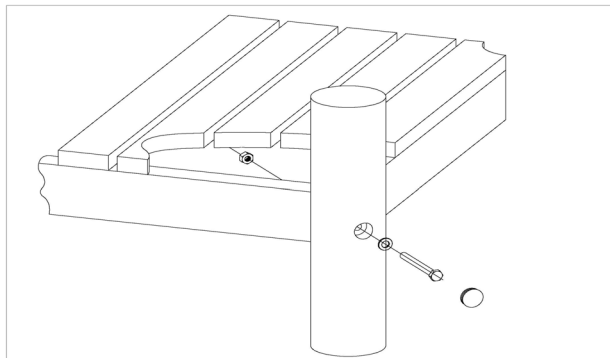
Item: **034400700**  
 Water Play Structure  
 Location:

Order:

1295005

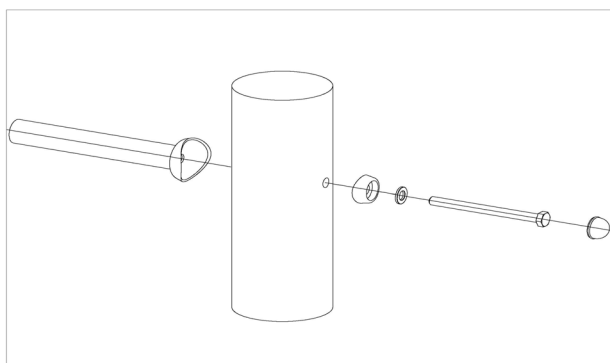
Building Project:

**8 x SFRS1200001 Platform at Robinia post, nut is platform-sided**



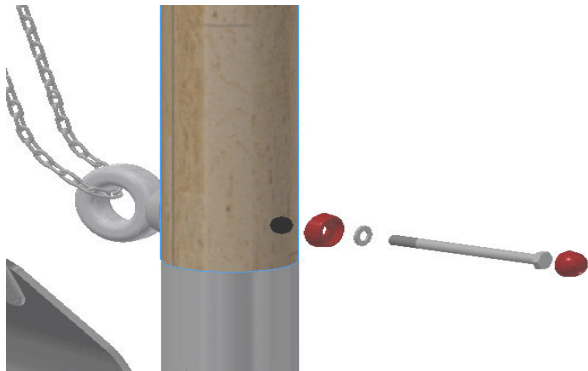
| per SC | Total | K&K-Item | Marking  |
|--------|-------|----------|--|
| 1 x    | 8 x   | 3430129  | Washer Ø 14 DIN1440 A2   |
| 1 x    | 8 x   | 3430021  | Lock nut M12 DIN985 A2   |
| 1 x    | 8 x   | 3300016  | Grey domed plastic cover cap SL 36 G                                       |
| 1 x    | 8 x   | 3400700  | Hexagon head screw M12 x 120 DIN931 A2 with screw security coating/FGB red |

**36 x SFRS1210001 Standard bolting of components to Robinia posts (non-countersunk drilling)**



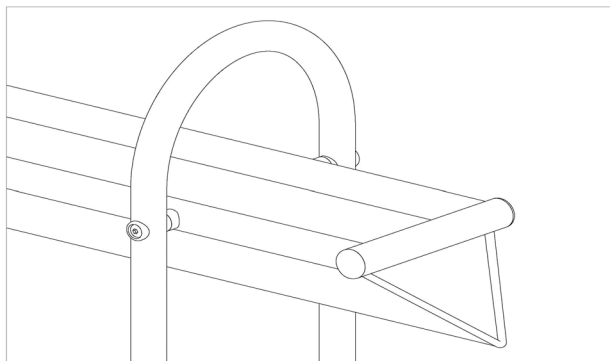
| per SC | Total | K&K-Item | Marking  |
|--------|-------|----------|--|
| 1 x    | 36 x  | 3300054  | Red protective screw cap - lower part, domed M12                               |
| 1 x    | 36 x  | 3300055  | Red protective screw cap - upper part, domed M12                               |
| 1 x    | 36 x  | 3430025  | Washer Ø 13 DIN125 A2  |
| 1 x    | 36 x  | 3400702  | Hexagon head cap screw M12 x 160 DIN931 A2 with screw security coating FGB red |

**1 x SFRS1260003 Fastening of chain of sand pulley to post**



| per SC | Total | K&K-Item | Marking  |
|--------|-------|----------|--|
| 1 x    | 1 x   | 3300055  | Red protective screw cap - upper part, domed M12                               |
| 1 x    | 1 x   | 3300054  | Red protective screw cap - lower part, domed M12                               |
| 1 x    | 1 x   | 3400702  | Hexagon head cap screw M12 x 160 DIN931 A2 with screw security coating FGB red |
| 1 x    | 1 x   | 3430025  | Washer Ø 13 DIN125 A2  |
| 1 x    | 1 x   | 1040731  | weld piece/post attachment/twist protection                                    |

**1 x SFXS1040006 Water trough (S) at support**



| per SC | Total | K&K-Item | Marking   |
|--------|-------|----------|---|
| 1 x    | 1 x   | 3400286  | Dome head security screw-M10x50-Resistorx T45 A |

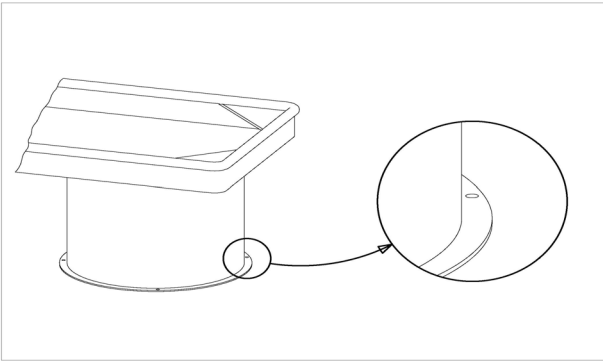
Item: **034400700**  
 Water Play Structure  
 Location:

Order:

1295005

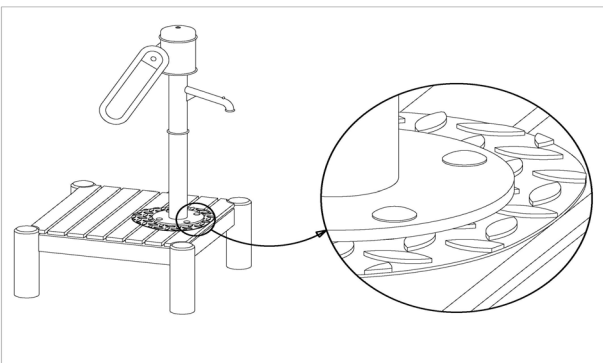
Building Project:

**8 x SFXS1040011 Cylinder base plate fastening to foundation**



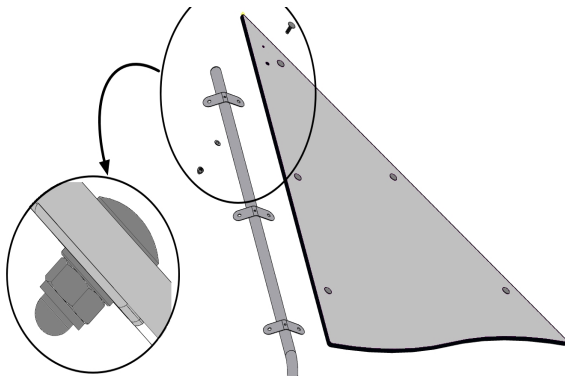
| per SC | Total | K&K-Item | Marking  |
|--------|-------|----------|--|
| 1 x    | 8 x   | 1040272  | Fastening set water play equipment M10x160 A2 stone bolt/washer/nuts |

**1 x SFXS1260001 Water pump fastening to platform**



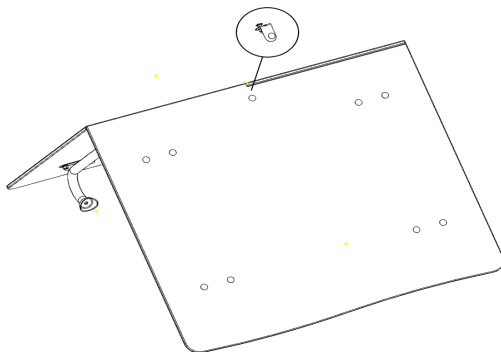
| per SC | Total | K&K-Item | Marking                                |
|--------|-------|----------|--|
| 1 x    | 1 x   | 3430051  | Hexagon cap nut M12 DIN 986 A2         |
| 1 x    | 1 x   | 3430025  | Washer Ø 13 DIN125 A2                  |
| 1 x    | 1 x   | 3400249  | Mushroom head screw M12 x 60 DIN603 A2 |

**16 x SFAS1240029 HPL panel fastening to roof pipe support**



| per SC | Total | K&K-Item | Marking                                       |
|--------|-------|----------|---|
| 1 x    | 16 x  | 3430014  | Washer Ø 10,5 DIN125 form B A2                |
| 1 x    | 16 x  | 3430011  | hexagon cap nut M10 DIN986 A2                 |
| 1 x    | 16 x  | 3400138  | mushroom head screw square neck M10x30 DIN 60 |

**1 x SFAS1240031 HPL panel at mounting brackets 90° (inner face)**



| per SC | Total | K&K-Item | Marking                                       |
|--------|-------|----------|---|
| 2 x    | 2 x   | 3430011  | hexagon cap nut M10 DIN986 A2                 |
| 2 x    | 2 x   | 3430014  | Washer Ø 10,5 DIN125 form B A2                |
| 1 x    | 1 x   | 6240001  | Corner plate for gable roof 90°               |
| 2 x    | 2 x   | 3400138  | mushroom head screw square neck M10x30 DIN 60 |

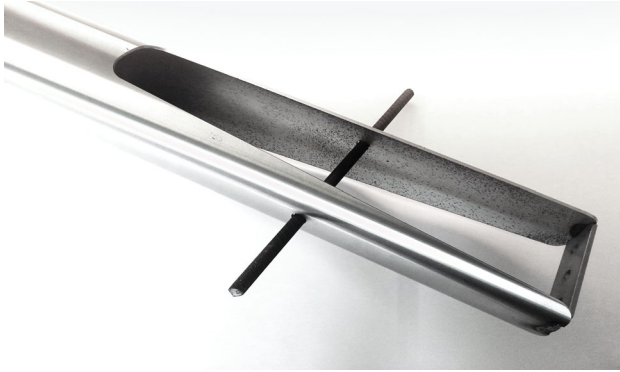
Item: **034400700**  
 Water Play Structure  
 Location:

Order:

1295005

Building Project:

**7 x SFAS1270001 Reinforcing steel bar for posts**



| per SC | Total | K&K-Item | Marking                              |
|--------|-------|----------|--------------------------------------|
| 1 x    | 7 x   | 2130000  | Reinforcing steel Ø 10 x 310 DIN 488 |

**1 x SFWZ0000002 Security TORX wrench TR45**



| per SC | Total | K&K-Item | Marking                      |
|--------|-------|----------|------------------------------|
| 1 x    | 1 x   | 3490033  | Allen key security TORX TR45 |

**1 x SFWZ0000012 Lubricating metal (30 g box) incl. brush**



| per SC | Total | K&K-Item | Marking                     |
|--------|-------|----------|-----------------------------|
| 1 x    | 1 x   | 5300039  | Lubricating metal box 30g   |
| 1 x    | 1 x   | 5200026  | Brush for lubricating metal |