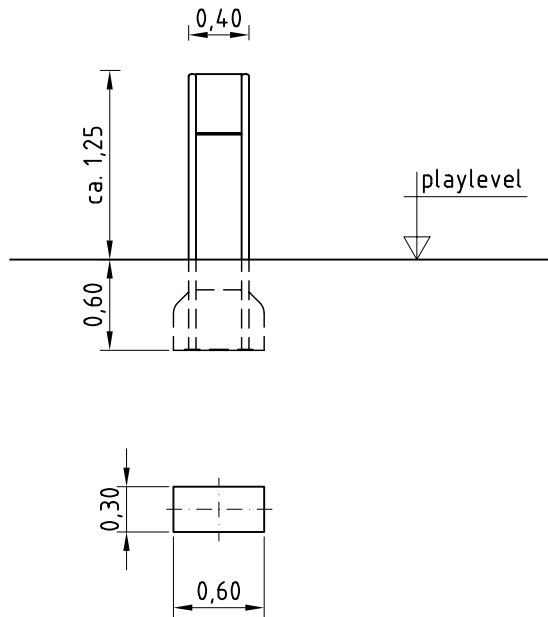


scale 1:20



scale 1:20

1. Assign location of equipment considering the space requirement. .
2. Excavate soil for foundations, according to drawing. Please note: To achieve a maximum of stability and a safe installation a normal level of soil solubility is required.
3. Put unit into hole of foundations and align with spirit level in both directions (vertical/horizontal).
4. Grout in foundations with compressed concrete C20/25 (=PG75), chamfer the edges and cover with 0,20 m soil.
5. Release for play after concrete foundations have set.

