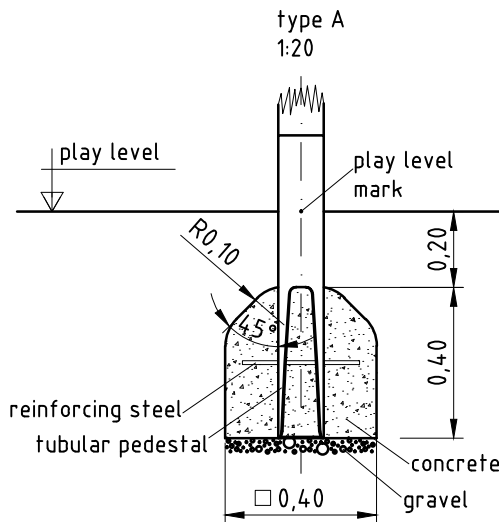
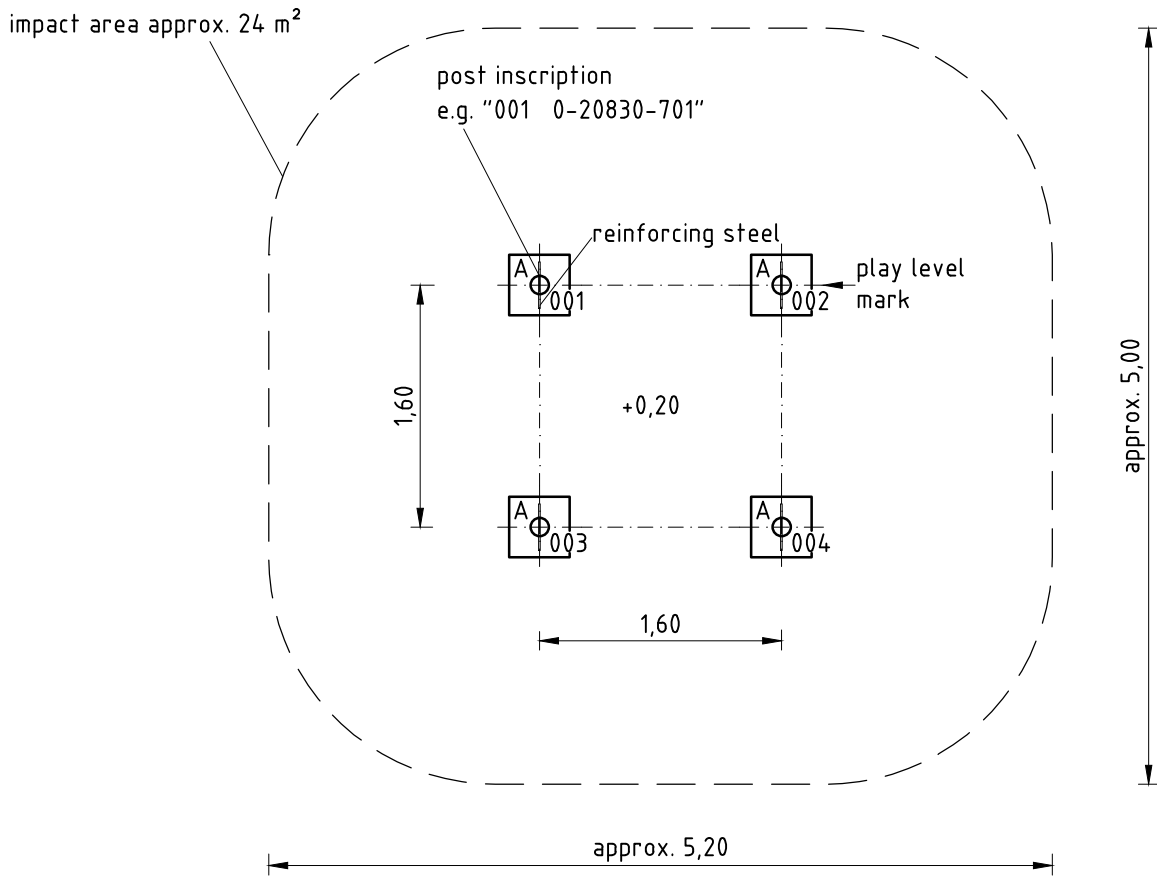
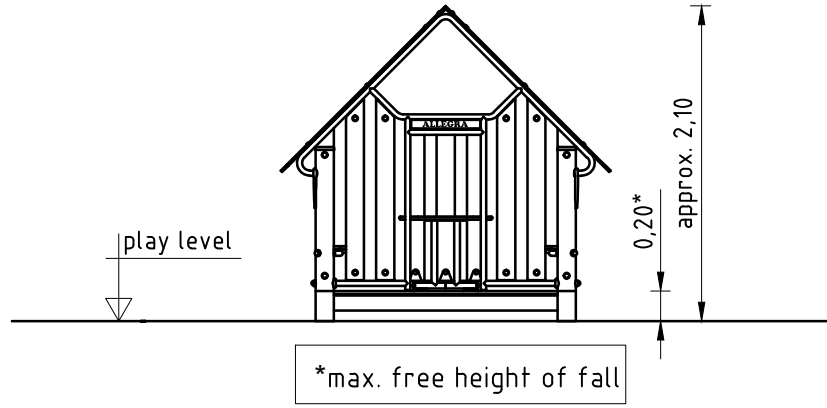


1. Assign a device location considering the space requirements (impact area).
2. Excavate soil for foundations, according to drawing.
Please note: To achieve maximum stability and a safe installation, a moderate level of soil solubility is required.
3. Pour in a drain layer of gravel of approx. 10 cm thickness between the bottom of the tubular pedestals and plain base of foundation.
4. Insert reinforcing steel into the corresponding holes of the tubular pedestals.
5. Place the pre-assembled alpine cabin with suitable hoisting devices and according to the respective number into the foundation holes. Play level mark (=aluminium blind rivet) complies with the installation depth. They face into the same direction. Align the alpine cabin by means of the play level mark (see detail or foundation layout).
6. Grout foundations with compressed concrete C20/25, chamfer and round off the edges, cover the foundations with a surface which meets the requirements for impact attenuation so that the critical fall height of the surfacing shall be equal to, or greater than, the free height of fall of the equipment (acc. to EN 1176-1).
7. Release for play after concrete foundations have set.
8. According to maintenance instructions, check all screw connections after 4-5 weeks and retighten, if necessary. Afterwards cover the screw heads with protection caps as follows: Insert grey protection caps into the countersunk drills (e.g. platform). The non-countersunk drills (e.g. for railings) have to be covered with the red protection caps by placing them onto the base part. Strongly pound them (e.g. by using a plastic mallet) until they audibly snap into the base part groove.
We recommend not to insert the protection caps enclosed before first maintenance as they are only suitable for one-time use.

Please ensure that all special tools supplied (e.g. Allen key for secured Allen screws etc.) and all specific documents which are or may be useful for safety management acc. to EN 1176-7 (e.g. invoice, delivery note, order acknowledgement, installation instructions, maintenance instructions) are forwarded to the persons responsible.



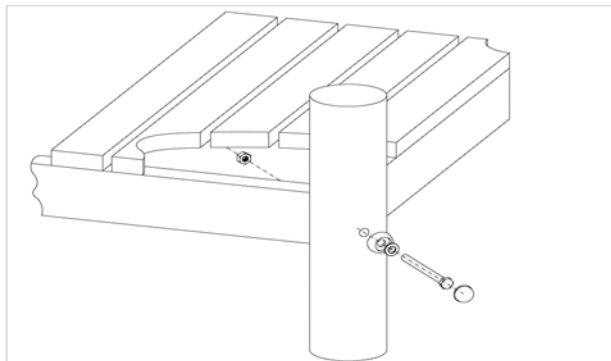
Item: **0-20830-701**
 K&K Alpine Cabin
 Location:

Order:

1298790

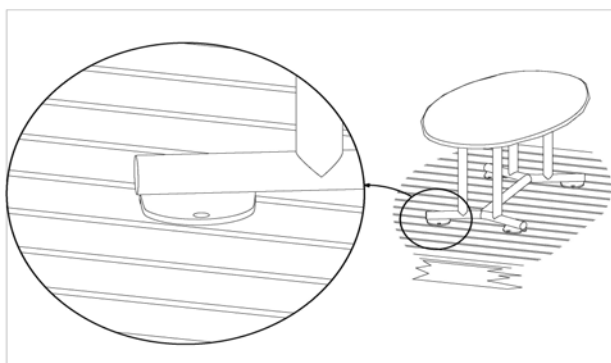
Building Project:

**4 x SFES1200014 Platform at stainless steel post/tube-pedestal
 (Hexagon screw with red cap/nut platform-site)**



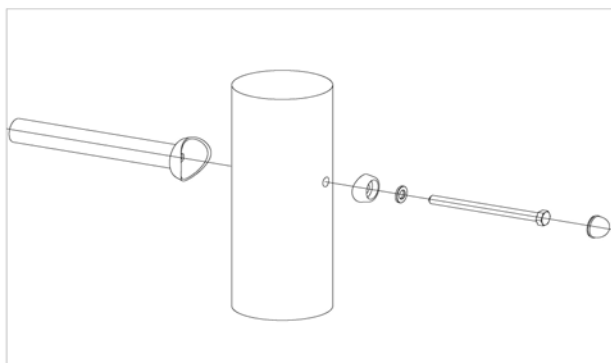
per SC	Total	K&K-Item	Marking
1 x	4 x	3430025	Washer Ø 13 DIN125 A2
1 x	4 x	3300055	Screw cap - upper part M12 P2 colour red/RAL 2002 PA6
1 x	4 x	3300054	Screw cap - lower part, domed M12 colour red/RAL 2002 PA6
1 x	4 x	3430021	Lock nut M12 DIN985 A2
1 x	4 x	3400363	Hexagon head cap screw M12 x 150 DIN931 A2

8 x SFAS1220001 Play table onto platform



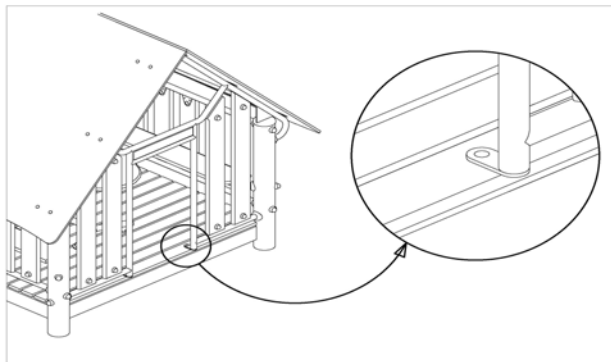
per SC	Total	K&K-Item	Marking
1 x	8 x	3430014	Washer Ø 10,5 DIN 125 B A2
1 x	8 x	3430011	Hexagon cap nut M10 DIN986 A2
1 x	8 x	3400286	Dome head security bolt M10x50 Resistorx A2

16 x SFRS1210001 Standard bolting for parapet, handrail, slide etc. at robinia posts



per SC	Total	K&K-Item	Marking
1 x	16 x	3300055	Screw cap - upper part M12 P2 colour red/RAL 2002 PA6
1 x	16 x	3300054	Screw cap - lower part, domed M12 colour red/RAL 2002 PA6
1 x	16 x	3430025	Washer Ø 13 DIN125 A2
1 x	16 x	3400702	Hexagon head cap screw M12 x 160 DIN931 A2 with screw security coating FGB red

2 x SFAS1210003 Connection gable wall entrance onto platform



per SC	Total	K&K-Item	Marking
1 x	2 x	3410056	Round head wood screw 6 x 30 A2 Torx 25/30 DIN 40096

Item: **0-20830-701**
K&K Alpine Cabin

Order:

1298790

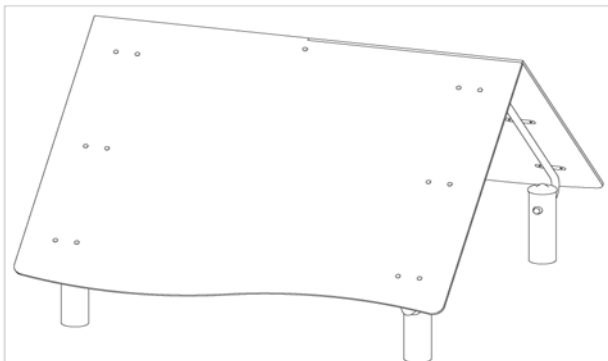
Location:

Building Project:

1 x SFAS1240006

Gable roof 1.6 m x 1.6 m

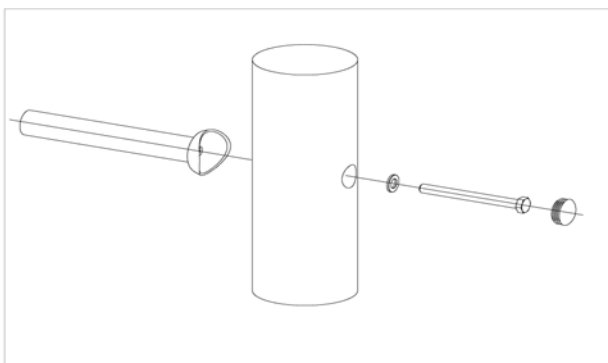
HPL plates at stay tubes and bolted down angle brackets on the inside



per SC	Total	K&K-Item	Marking
26 x	26 x	3430014	Washer Ø 10,5 DIN 125 B A2
1 x	1 x	6240001	Corner plate for gable roof 90°
26 x	26 x	3430011	Hexagon cap nut M10 DIN986 A2
26 x	26 x	3400138	Mushroom head screw square neck M10x30 DIN 60

4 x SFRS1230004

**Standard bolting of climbing bar, ramp etc.
to robinia posts with countersunk holes**



per SC	Total	K&K-Item	Marking
1 x	4 x	3430129	Washer Ø 14 DIN1440 A2
1 x	4 x	3300016	Grey domed plastic cover cap SL 36 G
1 x	4 x	3400701	Hexagon head cap screw M12 x 130 DIN931 A2 with screw retention coating/FGB red

4 x SFES1270007

**Reinforcing steel for stainless steel posts
or tubular pedestals**



per SC	Total	K&K-Item	Marking
1 x	4 x	2130000	Reinforcing steel Ø 10 x 310 DIN 488

1 x SFWZ0000002

Security TORX wrench TR45



per SC	Total	K&K-Item	Marking
1 x	1 x	3490033	Security TORX wrench TR45

Item: **0-20830-701**
K&K Alpine Cabin

Order:

1298790

Location:

Building Project:

1 x SFWZ0000012 Lubricating metal (30g box) incl. brush



per SC	Total	K&K-Item	Marking
1 x	1 x	5300039	Lubricating metal box à 30g
1 x	1 x	5200026	Brush for lubricating metal