

1. Assign a device location considering the space requirements (impact area). Slide direction recommended: north-east or in half-shade of trees.
2. Excavate soil for foundations, according to drawing. Please note: To achieve maximum stability and a safe installation, a moderate level of soil solubility is required.
3. Pour in a drain layer of gravel of approx. 10 cm thickness between the bottom of the posts and plain base of foundation.
4. Insert reinforcing steel into the corresponding holes of the posts.
5. Place posts type A according to the corresponding number (see foundation layout) into the respective foundation hole. Play level mark (=aluminium blind rivet) complies with the installation depth. Align every post by means of the play level mark facing into the same direction (see detail or foundation layout).

6. For installation of the pre-assembled components and/or single parts, the screws slightly have to be lubricated with installation paste!

Screw together platforms and posts by using the respective hole in the mounting brackets (according to "chart for platform fastenings").

Tighten all screws after having aligned all components.

Install the slide exit with an inclination of 5° in sliding direction.

Screw connections see details in attached list.

We recommend not to insert the protection caps enclosed before first maintenance as they are only suitable for one-time use (see description below).

7. Grout foundations with compressed concrete C20/25, chamfer and round off the edges, cover the foundations with a surface which meets the requirements for impact attenuation so that its critical fall height is equal to or greater than the maximum free height of fall of the equipment (acc. to EN 1176-1). The run-out section fall zone must have surfacing with a critical fall height of at least 1000 mm (acc. to EN 1176-3).
8. Release for play after concrete foundations have set.
9. According to maintenance instructions, check all screw connections after 4-5 weeks and retighten, if necessary. Afterwards cover the screw heads with protection caps as follows: Insert grey protection caps into the countersunk drills (e.g. for platforms). The non-countersunk drills (e.g. for railings or a slide) have to be covered with the red protection caps by placing them onto the base part. Strongly pound them (e.g. by using a plastic mallet) until they audibly snap into the base part groove.

Please ensure that all special tools supplied (e.g. Allen key for secured Allen screws etc.) and all specific documents which are or may be useful for safety management acc. to EN 1176-7 (e.g. invoice, delivery note, order acknowledgement, installation instructions, maintenance instructions) are forwarded to the persons responsible.

Necessarily insert all attachment parts before tightening the screws. It is NOT possible to insert them afterwards.

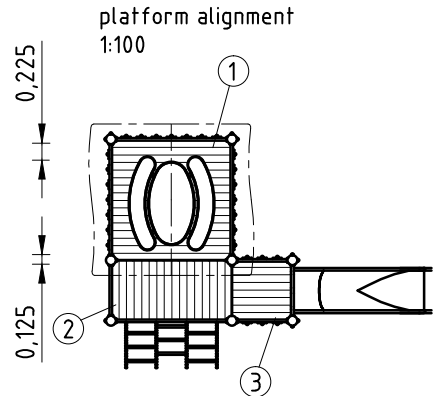
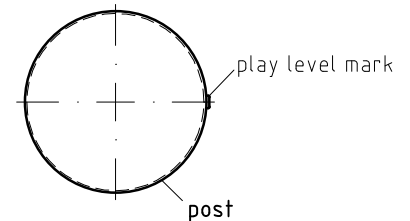


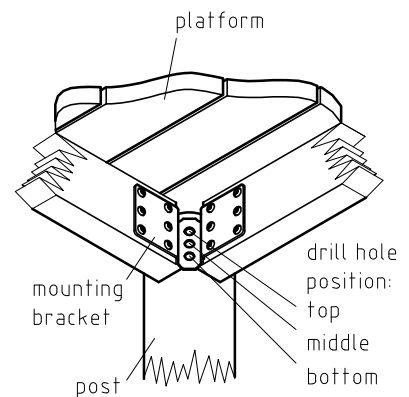
chart for platform fastenings

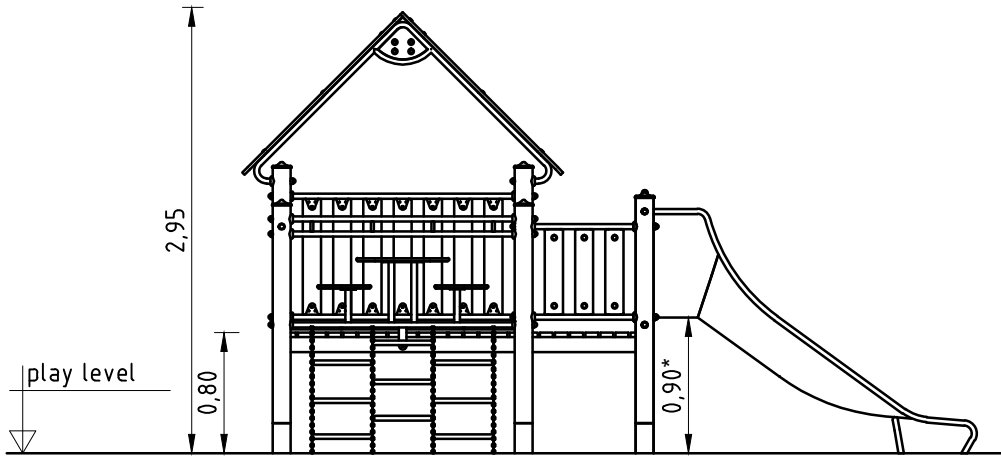
post No.	fastening hole		
	top	middle	bottom
1		x	
2	x		
3		x	

detail of play level mark 1:5

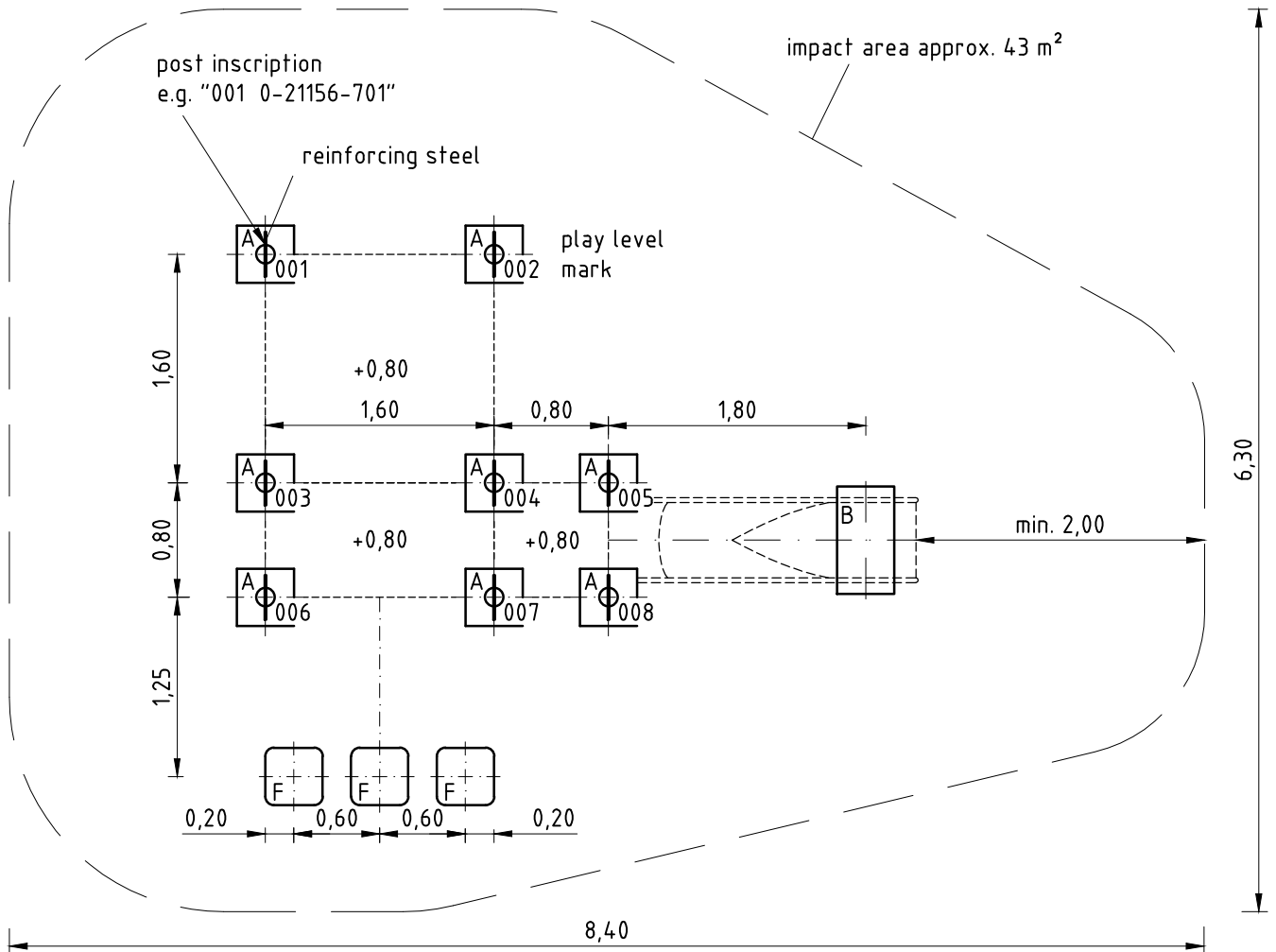


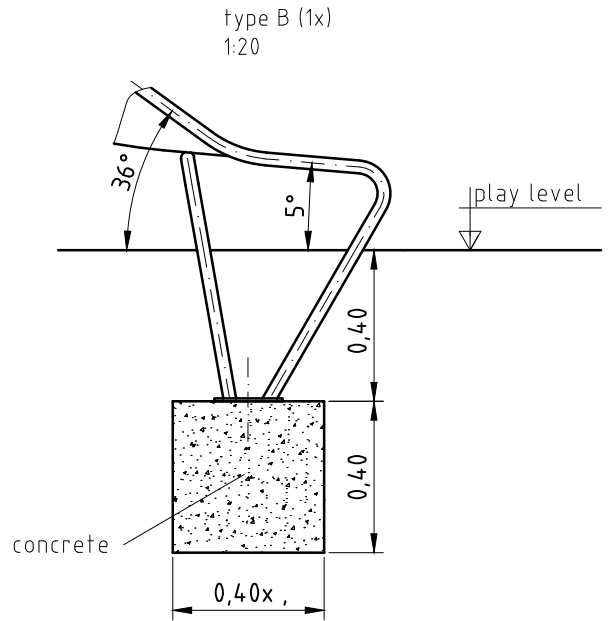
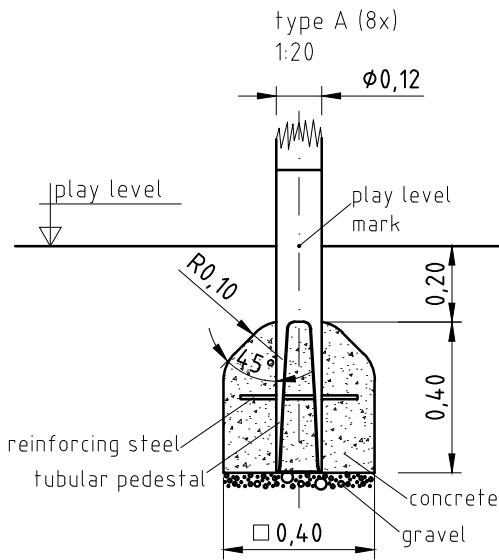
platform fastening 1:10



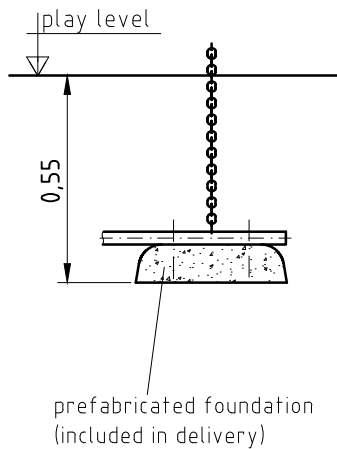


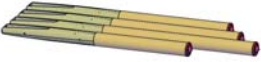





* max. free fall height




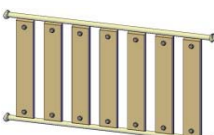
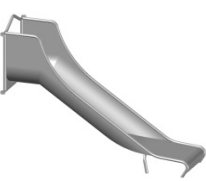
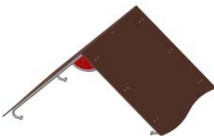



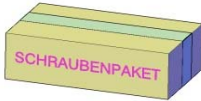


type F (3x)
1:20



item no.	quantity	description	image
	1	set of 8 laminated Robinia posts equipped with a stainless steel tubular pedestal short length = 800 mm / with bottom cut-outs and a stainless steel post cap / red RAL 2002	
1200000	1	square platform 0,80 m x 0,80 m	
1200001	1	rectangular platform 0,80 m x 1,60 m	
1200003	1	square platform 1,60 m x 1,60 m	
1230039	1	sloped chain ladder 1,60 m /platform height 0,80 m	
1210359	1	horizontal bar/ladder rung 0,80 m	

item no.	quantity	description	image
1210358	1	bowed guardrail 0,80 m	
1210023	1	tandem guardrail 1,60 m	
1210010	2	timber infill barrier, 0,80 m x 0,60 m	
1210059	3	timber infill barrier, 1,60 m x 0,80 m	
041409001	1	K&K Trough shaped attachment slide (0,80)	
1240038	1	gable roof 45° / 1,60 m x 1,60 m / brown HPL	

item no.	quantity	description	image
060120000	1	K&K (Oval) playing table	
1298806	1	fastening kit for 021156701	

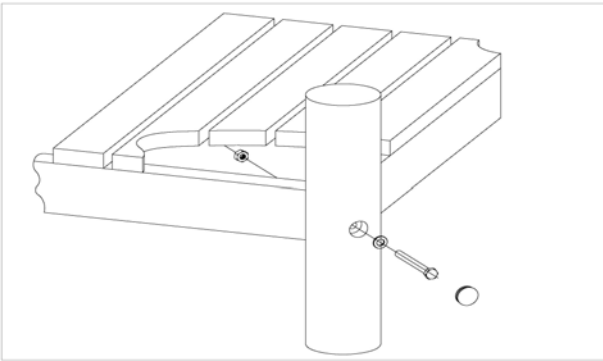
Item: **021156701**
 K&K Play structure
 Location:

Order:

1298806

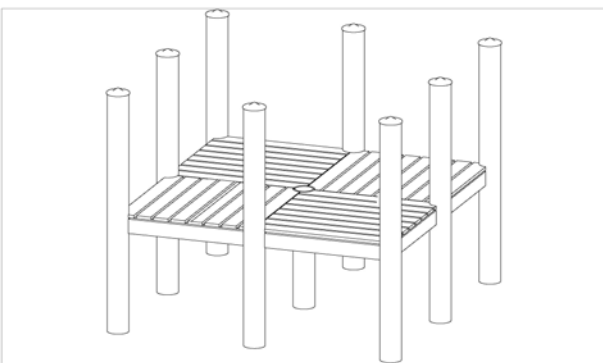
Building Project:

10 x SFRS1200001 Platform at robinia posts, nut on platform side



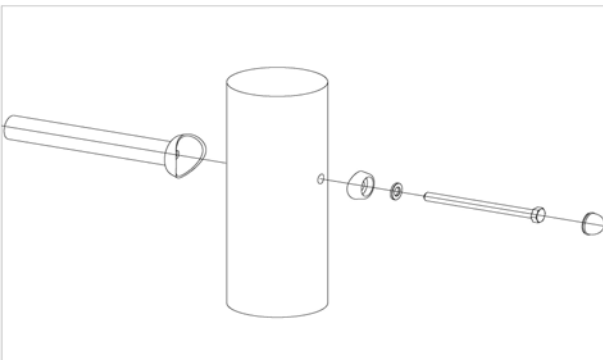
per SC	Total	K&K-Item	Marking
1 x	10 x	3400700	Hexagon head screw M12 x 120 DIN931 A2 with screw security coating/FGB red
1 x	10 x	3300016	Grey domed plastic cover cap SL 36 G
1 x	10 x	3430129	Washer Ø 14 DIN1440 A2
1 x	10 x	3430021	Lock nut M12 DIN985 A2

1 x SFRS1200002 2 platforms on equal height crosswise arranged at robinia posts



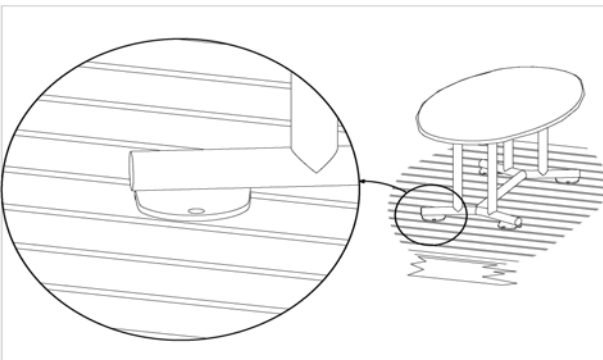
per SC	Total	K&K-Item	Marking
1 x	1 x	3430021	Lock nut M12 DIN985 A2
1 x	1 x	3430025	Washer Ø 13 DIN125 A2
1 x	1 x	3400363	Hexagon head cap screw M12 x 150 DIN931 A2

38 x SFRS1210001 Standard bolting for parapet, handrail, slide etc. at Robinia posts



per SC	Total	K&K-Item	Marking
1 x	38 x	3300055	Screw cap - upper part M12 P2 colour red/RAL 2002 PA6
1 x	38 x	3300054	Screw cap - lower part, domed M12 colour red/RAL 2002 PA6
1 x	38 x	3430025	Washer Ø 13 DIN125 A2
1 x	38 x	3400702	Hexagon head cap screw M12 x 160 DIN931 A2 with screw security coating FGB red

8 x SFAS1220001 Play table onto platform



per SC	Total	K&K-Item	Marking
1 x	8 x	3430011	Hexagon cap nut M10 DIN986 A2
1 x	8 x	3430014	Washer Ø 10,5 DIN 125 B A2
1 x	8 x	3400286	Dome head security bolt M10x50 Resistorx A2

Item: **021156701**
 K&K Play structure
 Location:

Order:

1298806

Building Project:

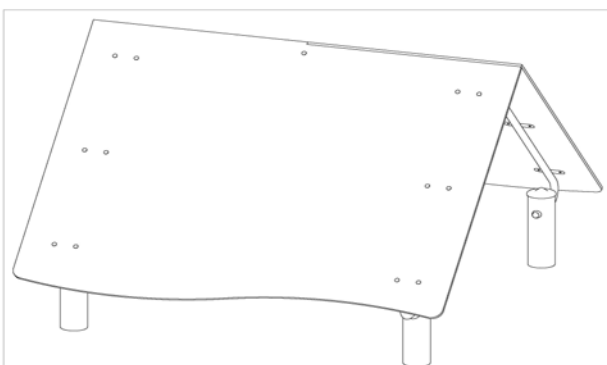
1 x SFWZ000002 Security TORX wrench TR45

per SC	Total	K&K-Item	Marking
1 x	1 x	3490033	Security TORX wrench T45



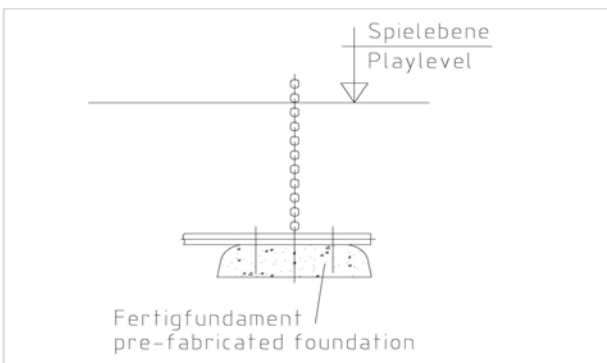
**1 x SFAS1240006 Gable roof 1.6 m x 1.6 m
 HPL plates at stay tubes and bolted down angle brackets on the inside**

per SC	Total	K&K-Item	Marking
1 x	1 x	6240001	Corner plate for gable roof 90°
26 x	26 x	3430011	Hexagon cap nut M10 DIN986 A2
26 x	26 x	3430014	Washer Ø 10,5 DIN 125 B A2
26 x	26 x	3400138	mushroom head screw square neck M10x30 DIN 60



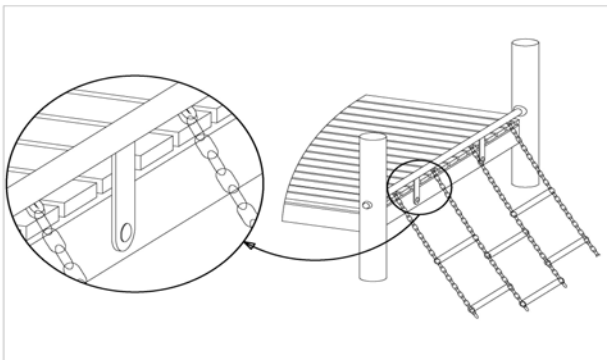
**3 x SFAS1230007 Connection pipe between chain ladder/space net/
 climbing net and prefabricated foundation (item N° 15150)**

per SC	Total	K&K-Item	Marking
2 x	6 x	3430025	Washer Ø 13 DIN125 A2
2 x	6 x	3400498	Hexagon head cap screw M12 x 55 DIN931 A2



1 x SFAS1230003 Chain ladder 1,60 m at platform joist

per SC	Total	K&K-Item	Marking
2 x	2 x	3430014	Washer Ø 10,5 DIN 125 B A2
2 x	2 x	3300056	Screw cap M 10 P1 (lower part) white RAL 9010 colour white, RAL 9010, PA6
2 x	2 x	3300057	Screw cover cap M 10 P1 (upper part) white colour white, RAL 9010, PA6
2 x	2 x	3430048	Lock nut M10 DIN 985 A2
2 x	2 x	3400416	Mushroom head screw M10 x 65 DIN603 A2



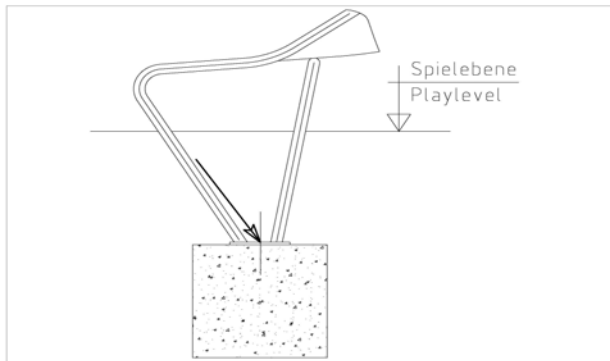
Item: **021156701**
 K&K Play structure
 Location:

Order:

1298806

Building Project:

1 x SFAS1070006 Slide run-out section (up to 2,00 m) on foundation stone bolt assembly



per SC	Total	K&K-Item	Marking
2 x	2 x	1070365	Set of stone bolts for slide run-out section M12x160

8 x SFES1270007 Reinforcing steel for tubular pedestals



per SC	Total	K&K-Item	Marking
1 x	8 x	2130000	Reinforcing steel Ø 10 x 310 DIN 488

2 x SFWZ0000012 Lubricating metal (30g box) incl. brush



per SC	Total	K&K-Item	Marking
1 x	2 x	5300039	Lubricating metal box 30g
1 x	2 x	5200026	Brush for lubricating metal