

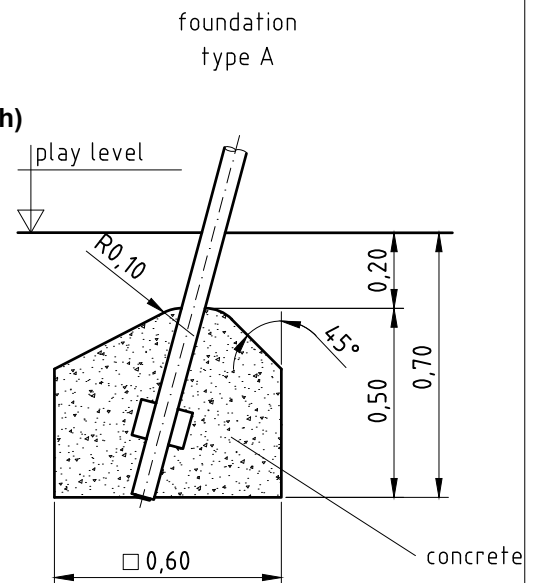
1. Assign location of equipment considering the space (falling space) requirement.
2. Excavate soil for foundations, according to drawing.
Please note: To achieve a maximum of stability and a safe installation a normal level of soil solubility is required.

3. Attention: For installation of the pre-assembled components and/or single parts the screws have to be lubricated thinly with installation paste!

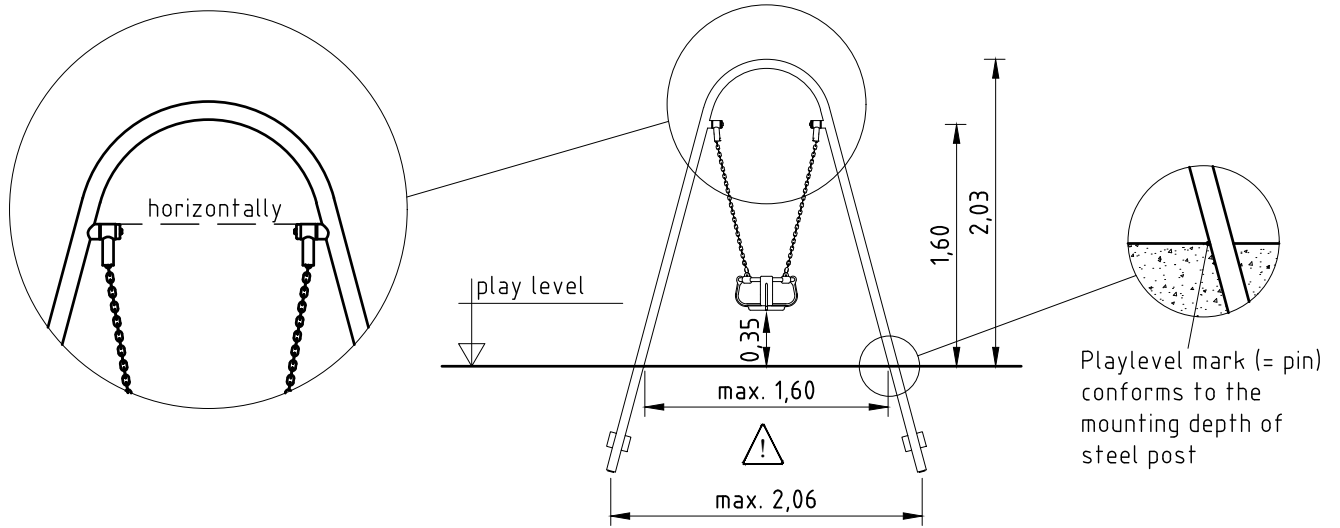
Mount swing scaffold, put it into the holes.
Align item upright and support it if necessary.

**Install swing axis and play level mark (Pin) horizontally.
(Due to manufacturing, the supports may be of different length)**

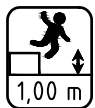
4. Grout in foundations with compressed concrete C20/25, chamfer the edges and cover with a surface which shall meet the requirements for impact attenuation so that the critical height of the surfacing shall be equal to or greater than the free height of fall of the equipment (acc. to EN 1176 - 1).
5. Attach chains to chain adapter after concrete foundations have set. Unscrew cheese.head screw (M8x20) inside adapter, insert last chain link and fix with screw.
Please note that the cheese-head screw has to be tightened e.g. with allen key or catch stoutly without overwinding the screw.
If necessary, cut length of chain in order to ensure minimum ground clearance of 0.35 m.
6. Check all screw connections according to maintenance instructions after 4-5 weeks and screw down again if necessary.



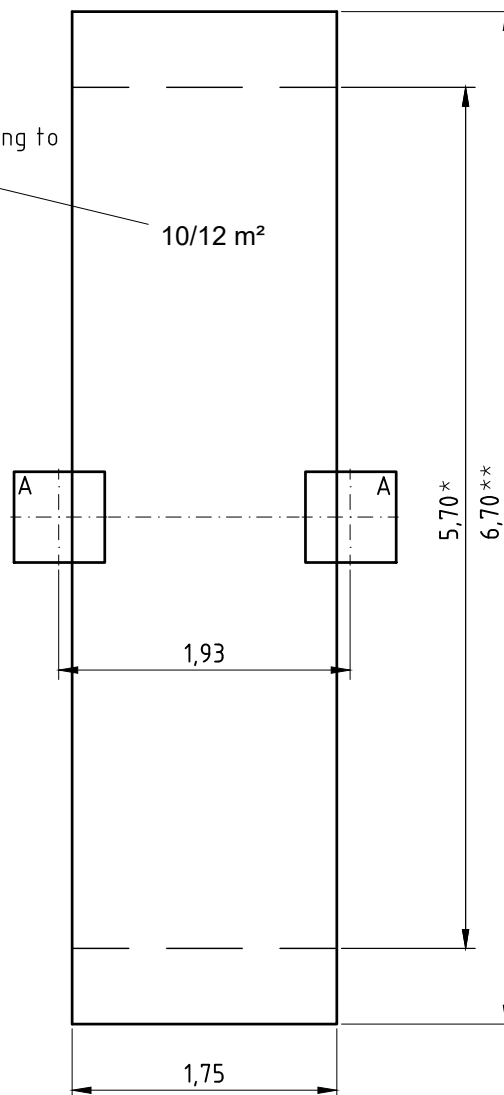
Please take care that all special tools (e.g. special Allen key for secured Allen screws etc.) and all specific documents which are or may be useful for safety management acc. to EN 1176-7 (e.g. invoice, delivery note, order acknowledgement, installation instructions, maintenance instructions) are forwarded to the responsible persons.



Impact area
Impact absorbing surfacing below swing, according to any position of swing seat in use.



maximum free height of fall



*) measure for synthetic surfacing with impact absorbing effect, level with the surrounding area (cf. EN 1176-2; 4.10.2.1). Within swinging direction, an additional flush area of 0,50m length free from obstacles must be provided

***) measure for natural surfacing with impact absorbing effect, normally loose fill (cf. EN 1176-2; 4.10.2.1)