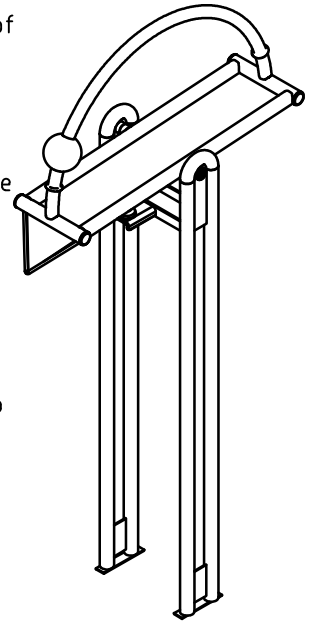
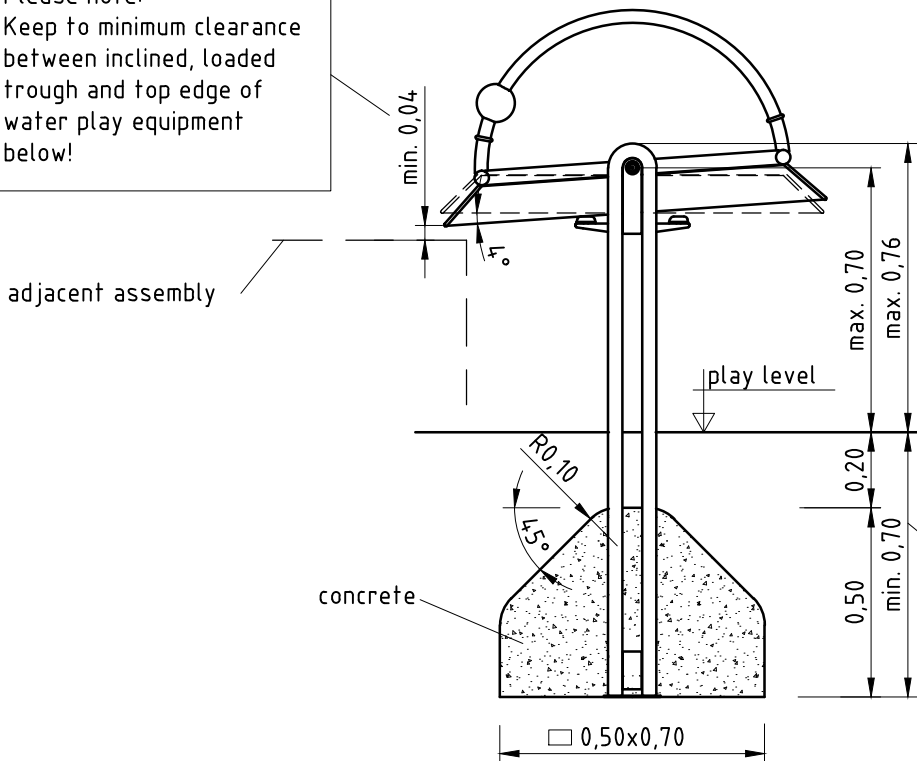


1. Assign a location for the equipment considering the (minimum) space requirements.
2. Excavate soil for foundation, according to drawing.
Please note: To achieve maximum stability and a safe installation, a moderate level of soil solubility is required.
3. Put assembly into foundation hole and align it.
Please note: - Ensure the minimum installation depth of 0,70 m!
- Avoid pinch points: minimum measure 40 mm!
4. Grout foundation with compressed concrete C20/25, chamfer the edges and cover the foundation with appropriate material.
5. Release for play after concrete foundation has set.
6. Check all screw connections according to maintenance instructions after 4-5 weeks and retighten, if necessary.



Please take care that all special tools (e.g. special Allen key for secured Allen screws etc.) and all specific documents which are or may be useful for safety management acc. to EN 1176-7 (e.g. invoice, delivery note, order acknowledgement, installation instructions, maintenance instructions) are forwarded to the responsible persons.

Please note:
Keep to minimum clearance between inclined, loaded trough and top edge of water play equipment below!



Minimum installation depth. Depending on the trough height required, the foundation depth can exceed 0,70 m.

space requirements approx. 11 m²
(single installation)

(Combinations with further devices result in a modified minimum space and a readapted impact area)

