

1. Assign a device location considering the space requirements (impact area). Slide direction recommended: north-east or in half-shade of trees.
2. Excavate soil for foundations, according to drawing. Please note: To achieve maximum stability and a safe installation, a moderate level of soil solubility is required.
3. Pour in a drain layer of gravel of approx. 10 cm thickness between the bottom of the posts and plain base of foundation.
4. Insert reinforcing steel into the corresponding holes of the posts.
5. Place posts type A according to the corresponding number (see foundation layout) into the respective foundation hole. Play level mark (=aluminium blind rivet) complies with the installation depth. Align every post by means of the play level mark facing into the same direction (see detail or foundation layout).

6. For installation of the pre-assembled components and/or single parts, the screws slightly have to be lubricated with installation paste!

Screw together platforms and posts by using the respective hole in the mounting brackets (according to "chart for platform fastenings").

Tighten all screws after having aligned all components.

Install the slide exit with an inclination of 5° in sliding direction.

Screw connections see details in attached list.

We recommend not to insert the protection caps enclosed before first maintenance as they are only suitable for one-time use (see description below).

7. Grout foundations with compressed concrete C20/25, chamfer and round off the edges, cover the foundations with a surface which meets the requirements for impact attenuation so that its critical fall height is equal to or greater than the maximum free height of fall of the equipment (acc. to EN 1176-1). The run-out section fall zone must have surfacing with a critical fall height of at least 1000 mm (acc. to EN 1176-3).
8. Release for play after concrete foundations have set.
9. According to maintenance instructions, check all screw connections after 4-5 weeks and retighten, if necessary. Afterwards cover the screw heads with protection caps.

Please ensure that all special tools supplied (e.g. Allen key for secured Allen screws etc.) and all specific documents which are or may be useful for safety management acc. to EN 1176-7 (e.g. invoice, delivery note, order acknowledgement, installation instructions, maintenance instructions) are forwarded to the persons responsible.

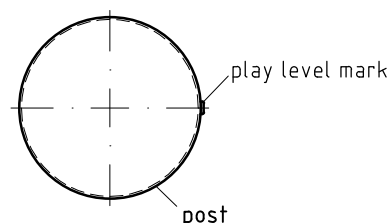
Necessarily insert all attachment parts before tightening the screws. It is NOT possible to insert them afterwards.

chart for platform fastenings

No.	height	drill hole position in mounting bracket		
		top	middle	bottom
①	2,80	x		
②	2,80			x
③	2,80			x
④	2,80	x		
⑤	2,80			x
⑥	2,80	x		

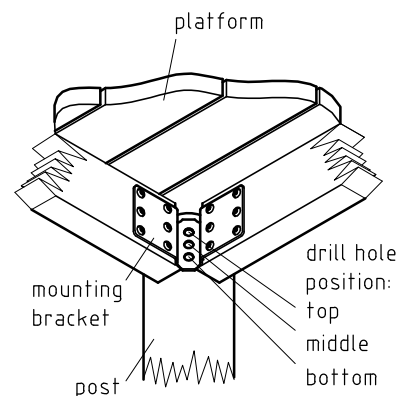
detail of play level mark

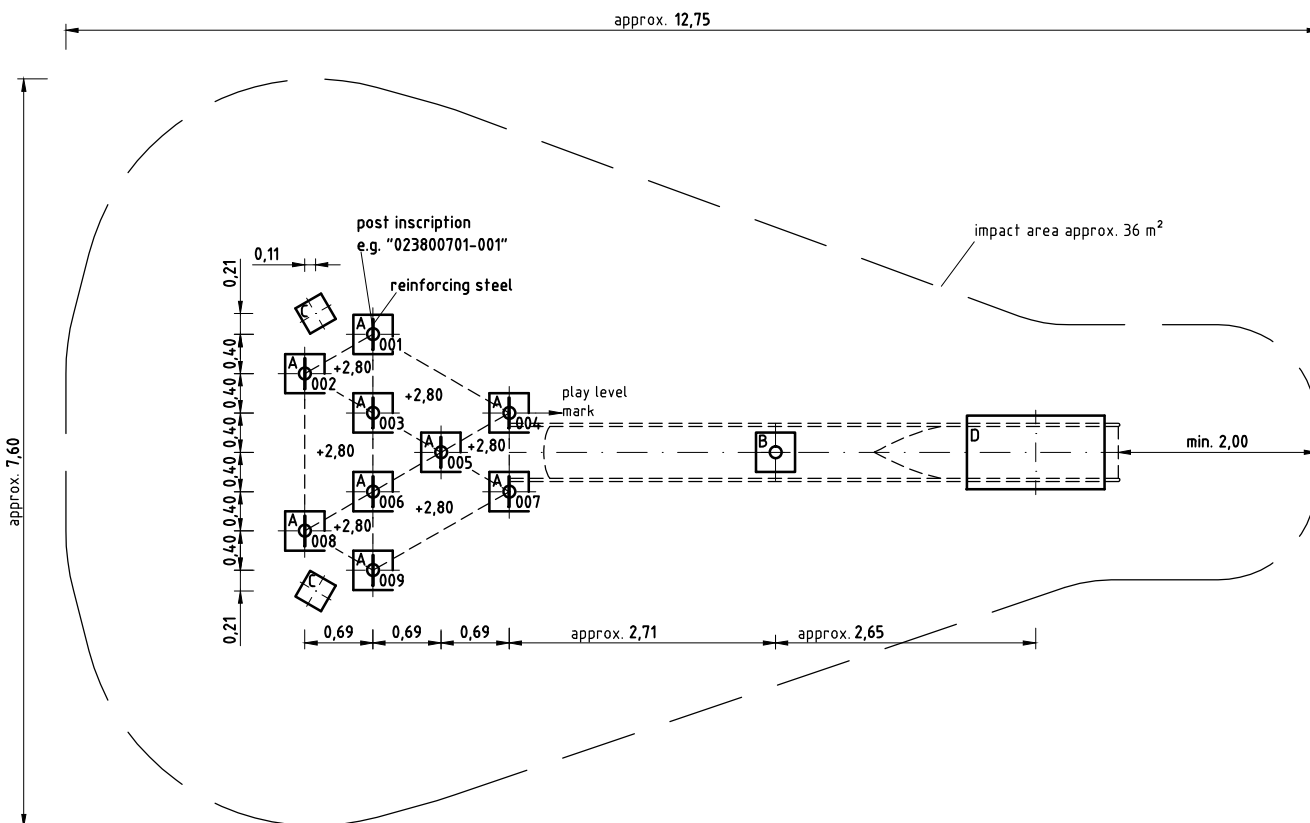
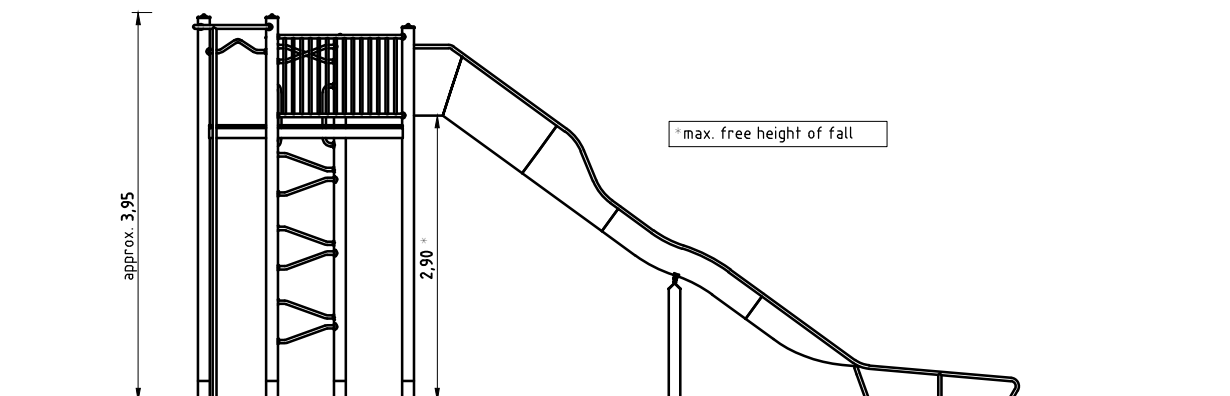
1:5



platform fastening

1:10



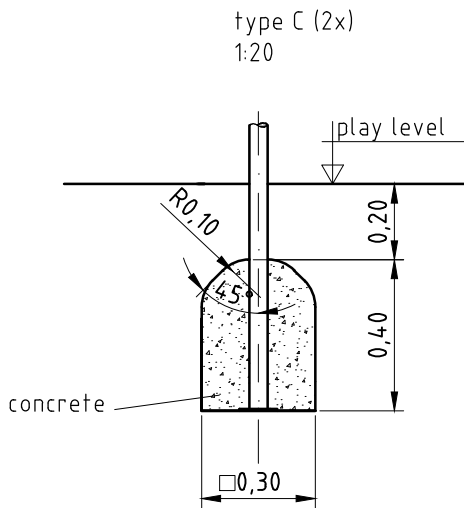
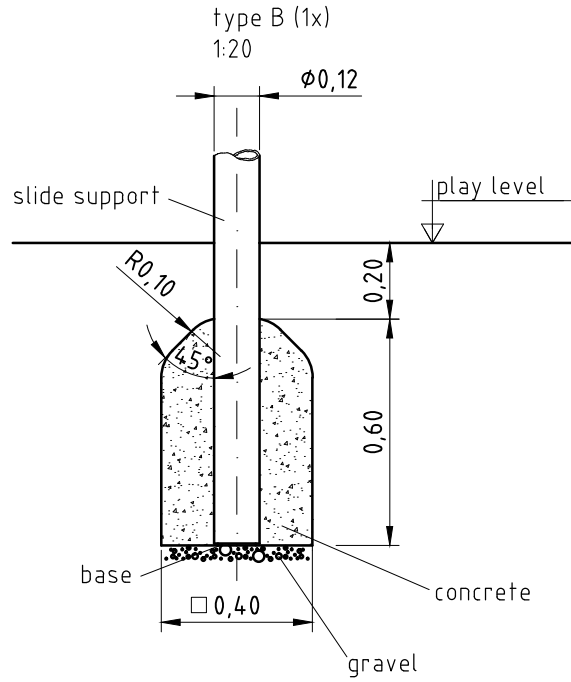
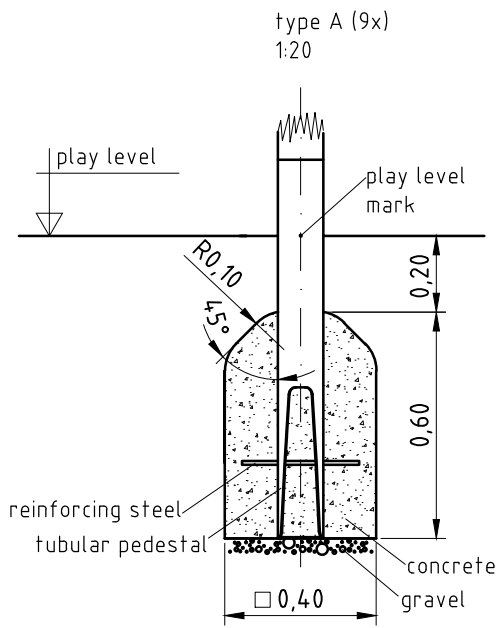


Please note:

Due to the format size, this installation is not to scale (apart from single details).

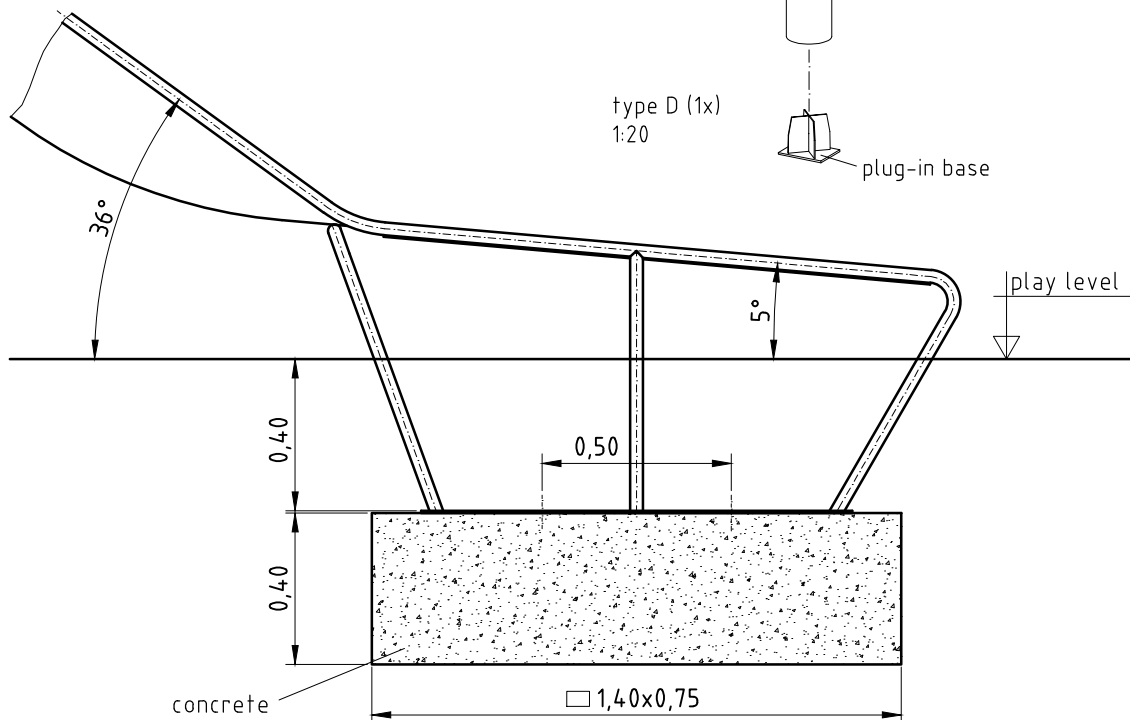
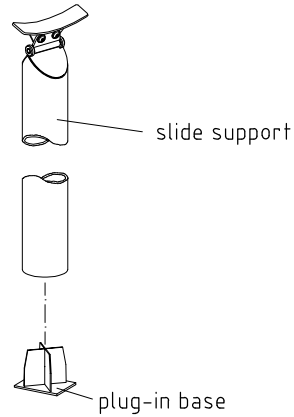
Please refer to the dimensions indicated.

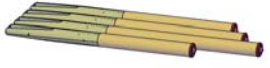





An installation documentation scale 1:50 can be submitted on request.








**Plug-in base for slide support
1:20**

to be mounted as follows:
If necessary, shorten stainless steel slide support to the required length (with adequate appliance e.g. angle grinder).
Insert base from below into the stainless steel post.



<u>parts list</u>		023800701	GB
item no.	quantity	description	image
	1	set of 9 laminated Robinia posts equipped with a stainless steel tubular pedestal short length = 800 mm / with bottom cut-outs and a stainless steel post cap / red RAL 2002	
1200017	3	trapezoid platform 0,80 m/1,60 m	
1200004	3	triangular platform 3 x 0,80 m	
1230160	2	climbing pole 3,80 m / horizontal arch	
1210361	11	stepped guardrail 0,80 m x 0,15 m	
1210358	2	bowed guardrail 0,80 m	

<u>parts list</u>		023800701	GB
item no.	quantity	description	image
1210047	3	vertical stainless steel handle 0,60 m	
1210207	3	stainless steel infill barrier 1,60 m x 0,80 m	
041429001	1	K&K Slide bedway (2,80)	
041700200	1	steel support total length 2,00 m Ø 120 x 3 mm	
1298837	1	fastening kit for 023800701	

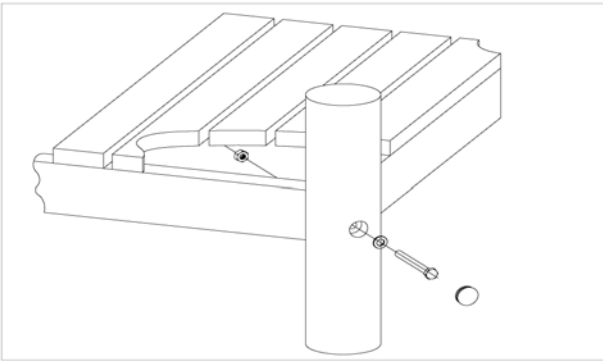
Item: **023800701**
 K&K Play structure
 Location:

Order:

1298837

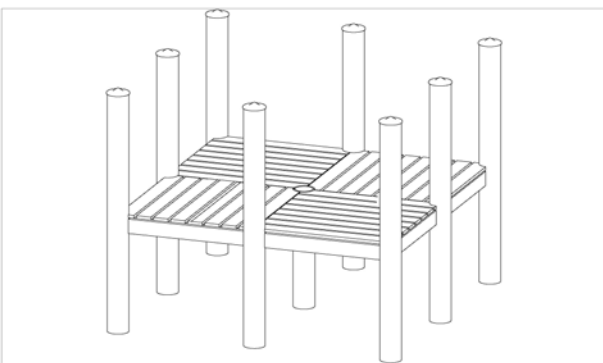
Building Project:

15 x SFRS1200001 Platform at robinia posts, nut on platform side



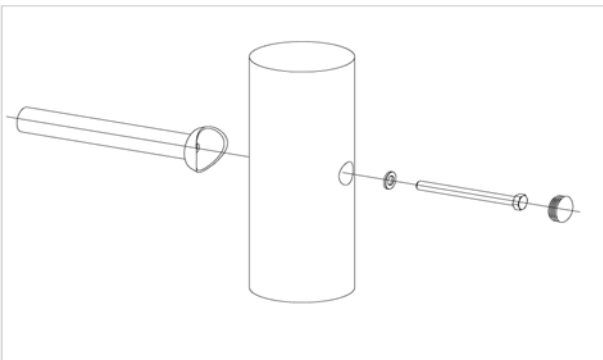
per SC	Total	K&K-Item	Marking
1 x	15 x	3400700	Hexagon head screw M12 x 120 DIN931 A2 with screw security coating/FGB red
1 x	15 x	3300016	Grey domed plastic cover cap SL 36 G
1 x	15 x	3430129	Washer Ø 14 DIN1440 A2
1 x	15 x	3430021	Lock nut M12 DIN985 A2

3 x SFRS1200002 2 platforms on equal height crosswise arranged at robinia posts



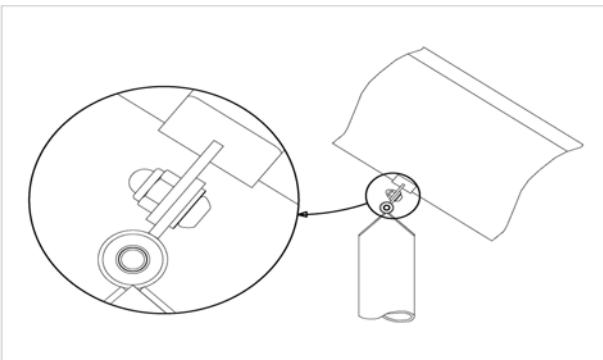
per SC	Total	K&K-Item	Marking
1 x	3 x	3430021	Lock nut M12 DIN985 A2
1 x	3 x	3430025	Washer Ø 13 DIN125 A2
1 x	3 x	3400363	Hexagon head cap screw M12 x 150 DIN931 A2

52 x SFRS1230004 Standard bolting of climbing bar, ramp etc. to robinia posts with countersunk holes



per SC	Total	K&K-Item	Marking
1 x	52 x	3300016	Grey domed plastic cover cap SL 36 G
1 x	52 x	3430129	Washer Ø 14 DIN1440 A2
1 x	52 x	3400701	Hexagon head cap screw M12 x 130 DIN931 A2 with screw retention coating/FGB red

1 x SFAS1070004 Slide support post below hill slide



per SC	Total	K&K-Item	Marking
2 x	2 x	3430025	Washer Ø 13 DIN125 A2
2 x	2 x	3400622	Dome head security bolt M12 x 25 PinHexagon A2 safety coated thread

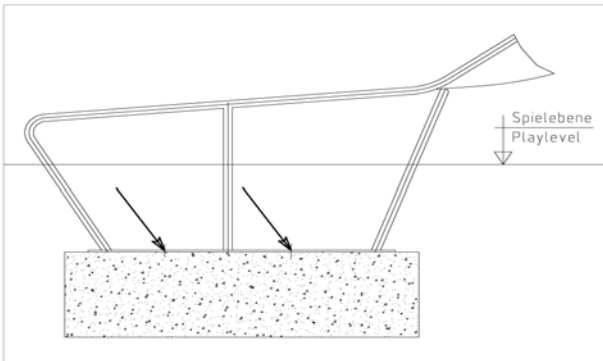
Item: **023800701**
 K&K Play structure
 Location:

Order:

1298837

Building Project:

1 x SFAS1070008 Slide run-out section (midi) stone bolt assembly



per SC	Total	K&K-Item	Marking
4 x	4 x	1070365	Set of stone bolts for slide run-out section M12x160

9 x SFES1270007 Reinforcing steel for tubular pedestals



per SC	Total	K&K-Item	Marking
1 x	9 x	2130000	Reinforcing steel Ø 10 x 310 DIN 488

1 x SFWZ0000005 Allen key security hex socket AF8



per SC	Total	K&K-Item	Marking
1 x	1 x	3490057	Allen key security hex socket AF8

1 x SFWZ0000009 Hexagon insert socket driver 10mm 1/2" with borehole for Pin



per SC	Total	K&K-Item	Marking
1 x	1 x	2030170	Hexagon insert socket driver 10 mm 1/2" with drill hole for Pin

Item: **023800701**
K&K Play structure

Order:

1298837

Location:

Building Project:

2 x SFWZ0000012 Lubricating metal (30g box) incl. brush



per SC	Total	K&K-Item	Marking
1 x	2 x	5300039	Lubricating metal box 30g
1 x	2 x	5200026	Brush for lubricating metal