

Installation instructions

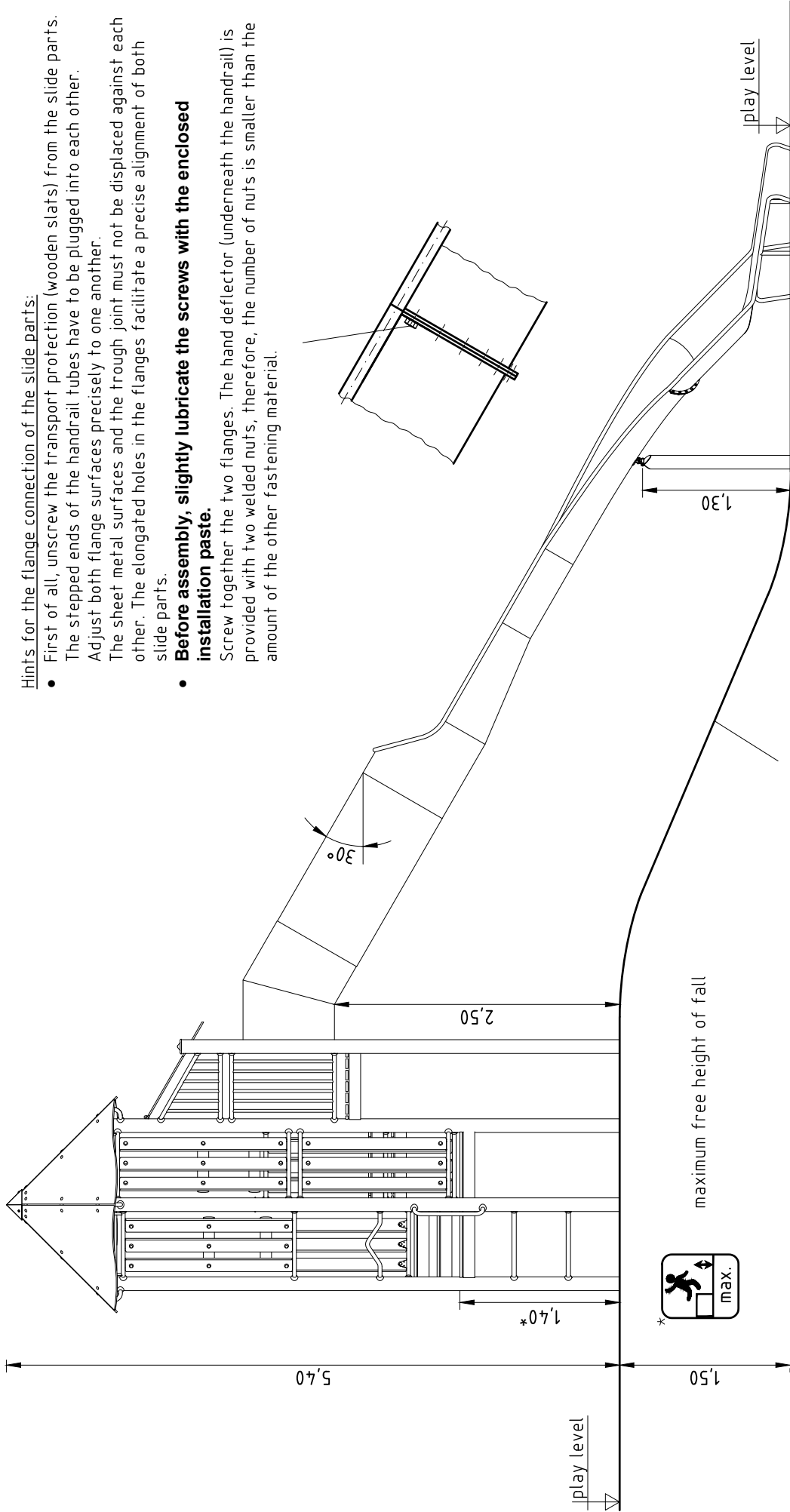
1. Assign a device location considering the space requirements (impact area).
Slide direction recommended: north-east or in half-shade of trees.
2. Excavate soil for foundations, according to drawing.
Please note: To achieve maximum stability and a safe installation, a moderate level of soil solubility is required.
3. Pour in a drain layer of gravel of approx. 10 cm thickness between the bottom of the posts and plain base of foundation.
4. Insert reinforcing steel into the corresponding holes of the posts.
5. Place posts type A according to the corresponding number (see foundation layout) into the respective foundation hole. Play level mark (=aluminium blind rivet) complies with the installation depth. Align every post by means of the play level mark facing into the same direction (see detail or foundation layout).
6. **For installation of the pre-assembled components and/or single parts, the screws slightly have to be lubricated with installation paste!**
Screw together platforms and posts by using the respective hole in the mounting brackets (according to "**chart for platform fastenings**").
Tighten all screws after having aligned all components.
Install the slide exit with the given inclination in sliding direction, so that rain water can drain off (see foundation detail).
Screw connections see details in attached list.
7. Grout foundations with compressed concrete C20/25, chamfer and round off the edges, cover the foundations with a surface which meets the requirements for impact attenuation so that the critical fall height of the surfacing is equal to, or greater than, the free height of fall of the equipment (acc. to EN 1176-1). The run-out section fall zone must have surfacing with a critical fall height of at least 1000mm (acc. to EN 1176-3).
8. Release for play after concrete foundations have set.
9. According to maintenance instructions, check all screw connections after 4-5 weeks and retighten, if necessary.

Please ensure that all special tools supplied (e.g. Allen key for secured Allen screws etc.) and all specific documents which are or may be useful for safety management acc. to EN 1176-7 (e.g. invoice, delivery note, order acknowledgement, installation instructions, maintenance instructions) are forwarded to the persons responsible.

Necessarily insert all attachment parts before tightening the screws. It is NOT possible to insert them afterwards.



dimension mark - total height of the equipment



Hints for the flange connection of the slide parts:

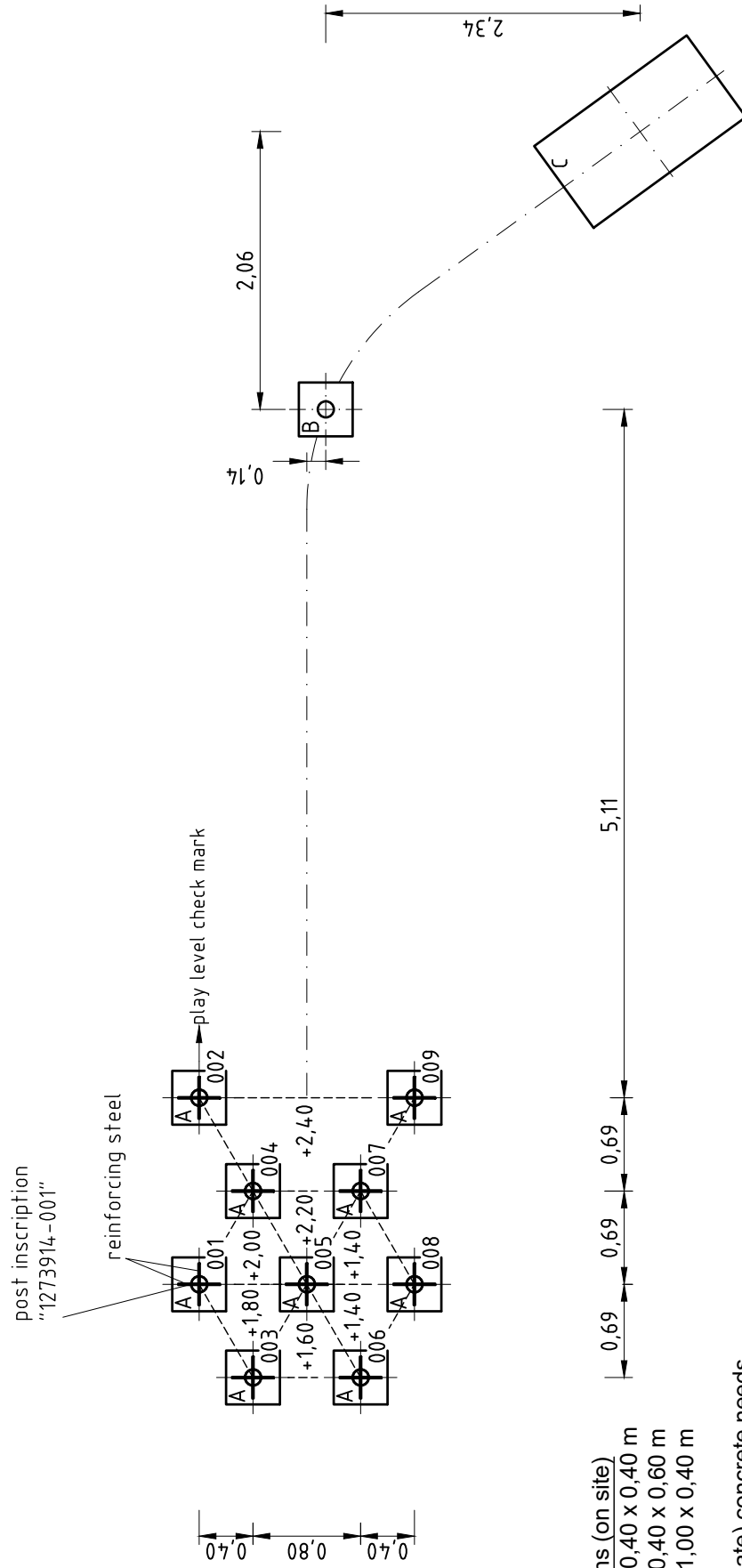
- First of all, unscrew the transport protection (wooden slats) from the slide parts. The stepped ends of the handrail tubes have to be plugged into each other. Adjust both flange surfaces precisely to one another. The sheet metal surfaces and the trough joint must not be displaced against each other. The elongated holes in the flanges facilitate a precise alignment of both slide parts.
- **Before assembly, slightly lubricate the screws with the enclosed installation paste.** Screw together the two flanges. The hand deflector (underneath the handrail) is provided with two welded nuts, therefore, the number of nuts is smaller than the amount of the other fastening material.

Exemplary course of the hill

Please consider planning specification and/or the instructions of architect on site. Cut slide supports acc. to requirements or dig deeper acc. to course of the hill.

Space occupied by equipment
10,30 x 4,41 x 5,40 m

Foundation plan



foundations (on site)
 9x 0,40 x 0,40 x 0,40 m
 1x 0,40 x 0,40 x 0,60 m
 1x 0,75 x 1,00 x 0,40 m

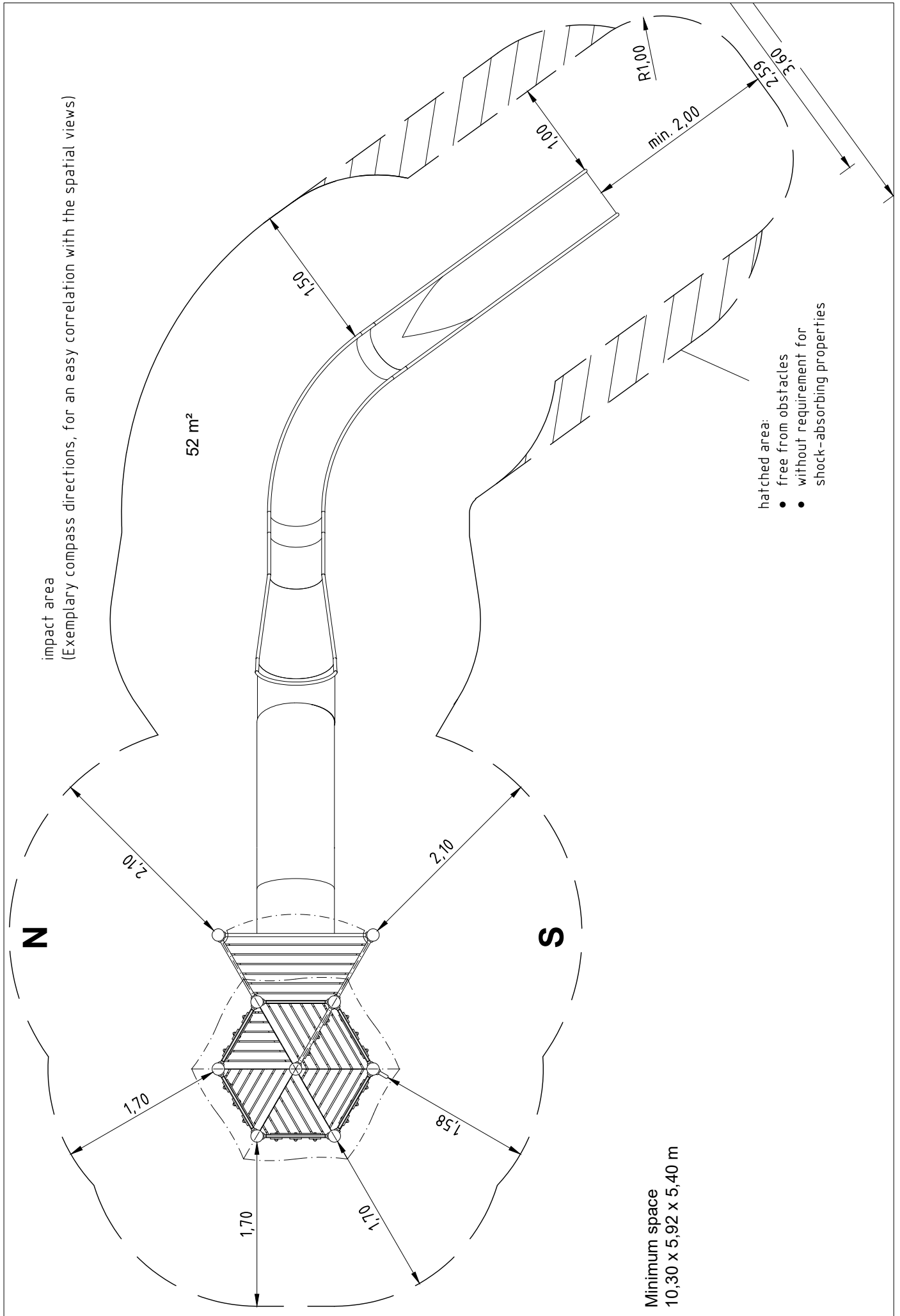
(approximate) concrete needs
 1,1 m³

5,11

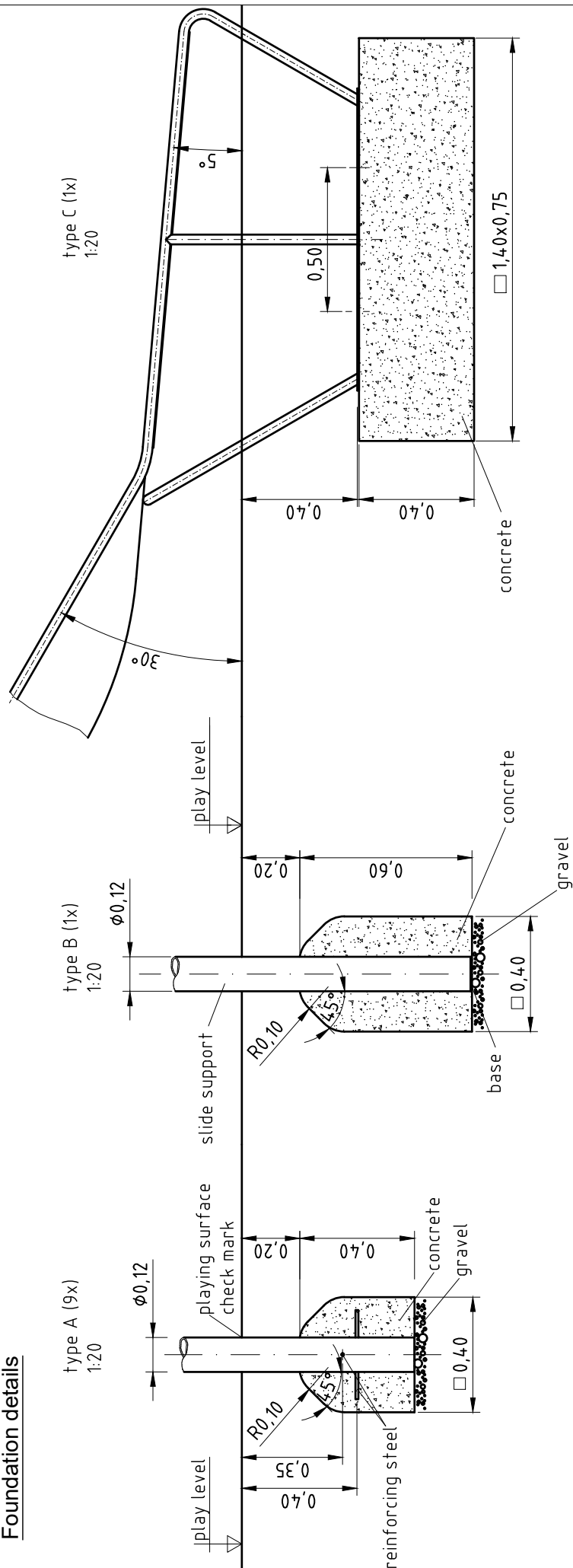
0,69

0,69

0,69



Foundation details



platform orientation/numbers
1:100

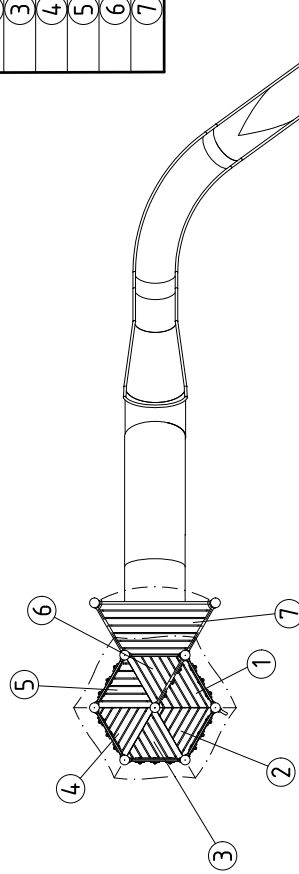
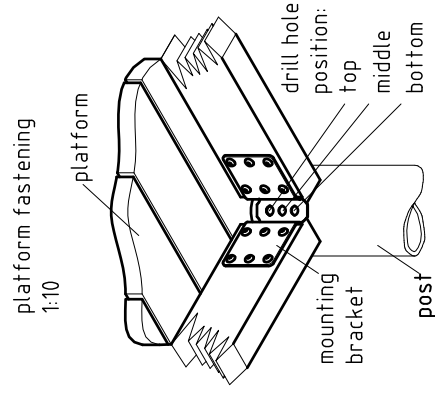
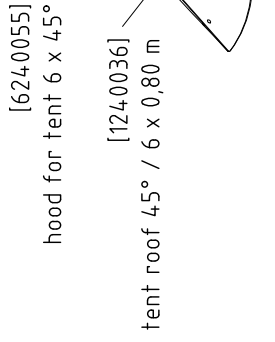


chart for platform fastenings

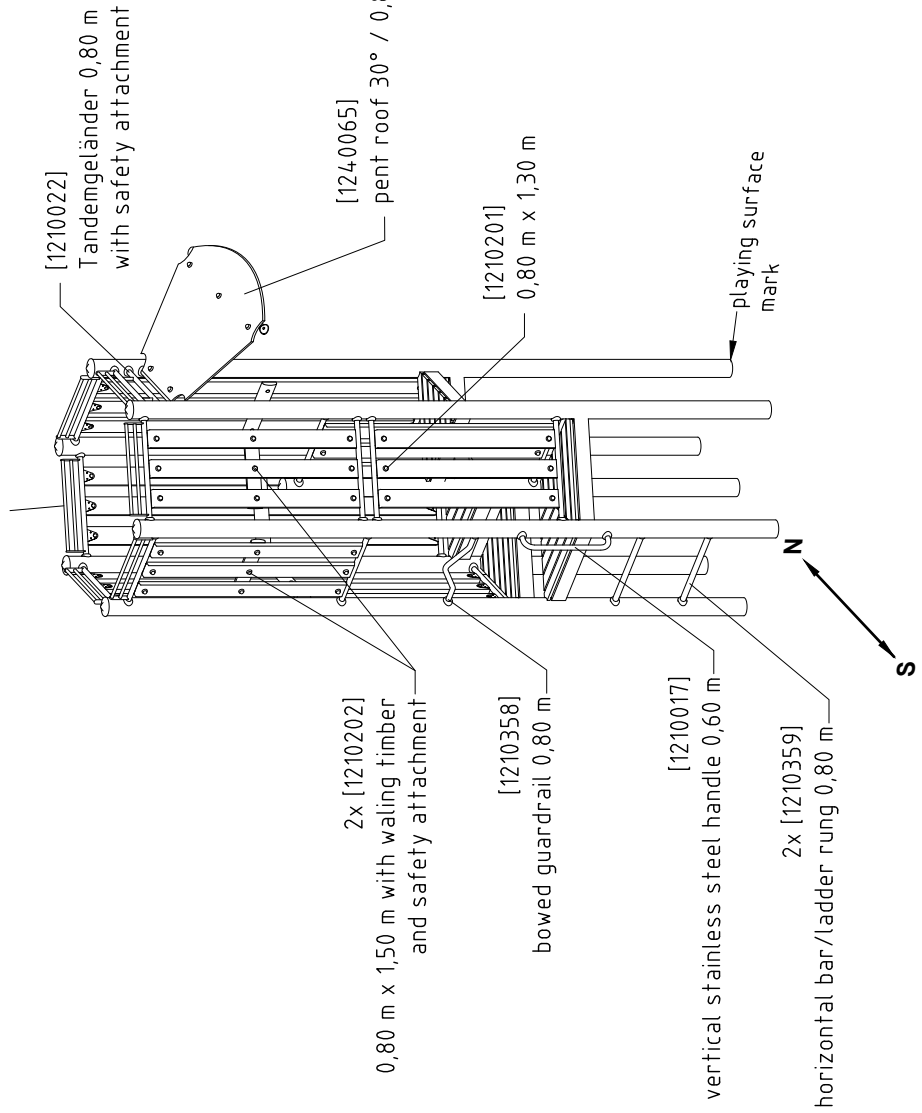
No.	height	drill hole position in mounting bracket		
		top	middle	bottom
1	1,40	x		
2	1,40			x
3	1,60		x	
4	1,80		x	
5	2,00		x	
6	2,20		x	
7	2,40		x	

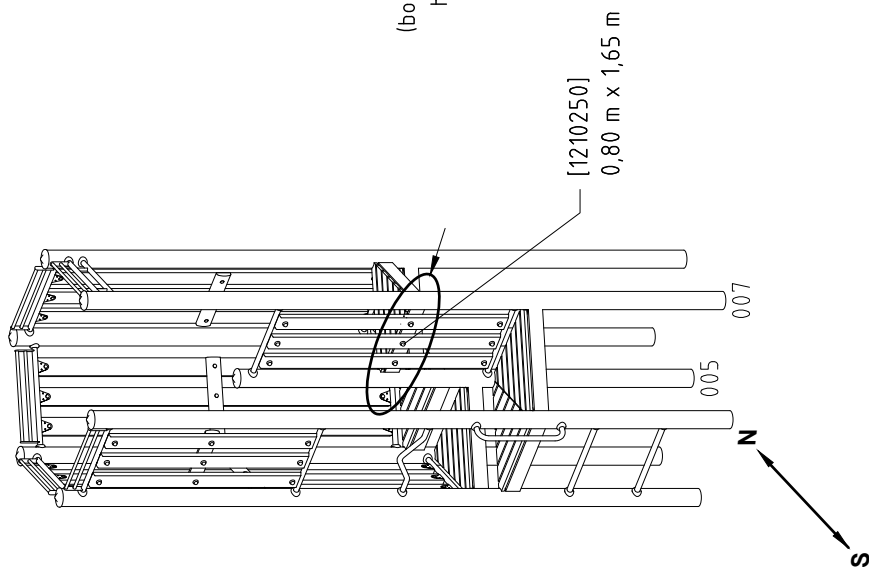


2x graphic representation of the hexagon tower, on the left view to the north, opposite direction on the right



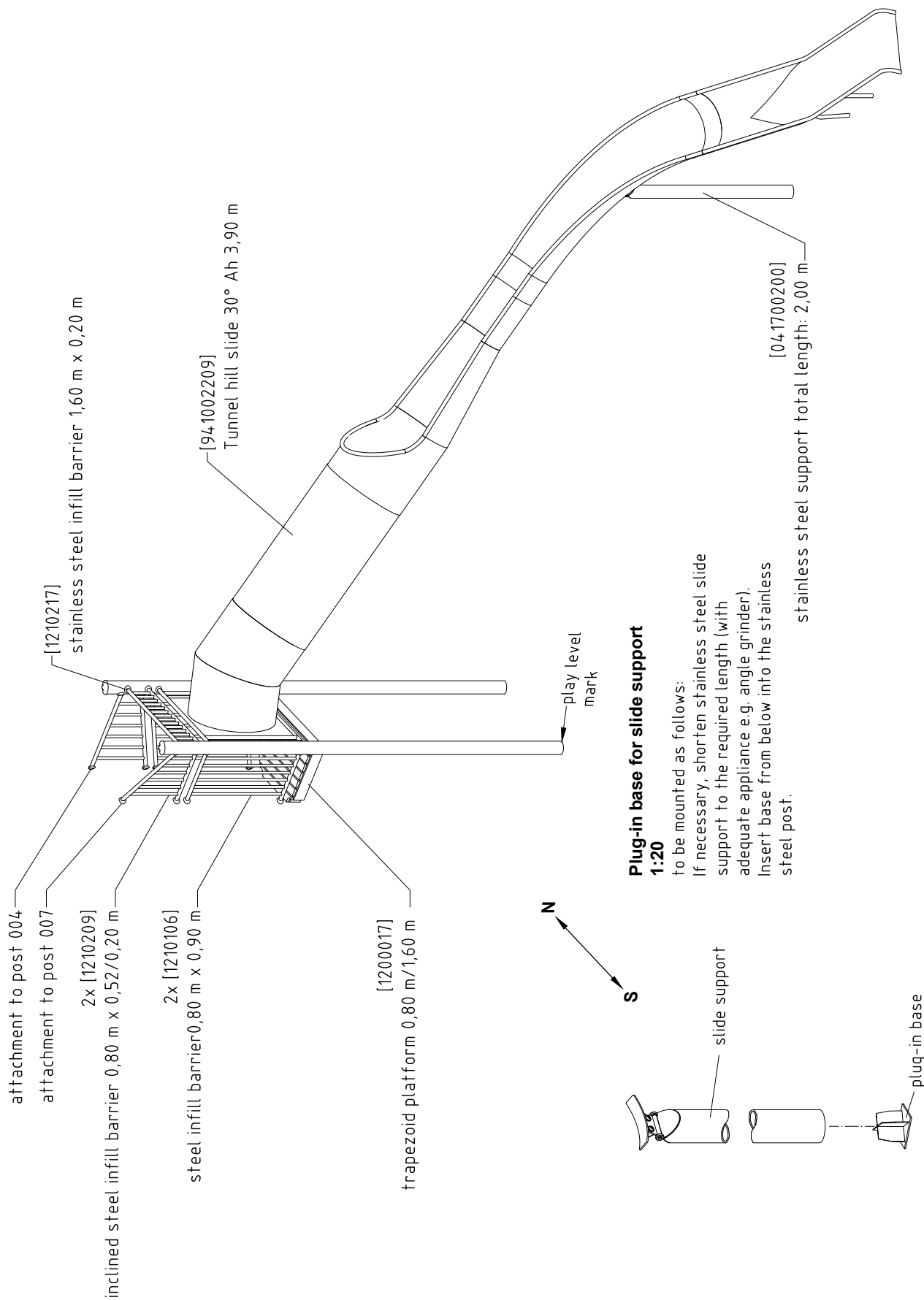
set of timber balustrades beneath the roof of the hexagonal tower, each one with safety attachment welded on top





fastening of a timber infill barrier to adjoining platform joist

Prepare combined central drilling holes in the barrier planks and the platform joist and screw together both parts!



Item: **041300500**
Slide tower (3,90)

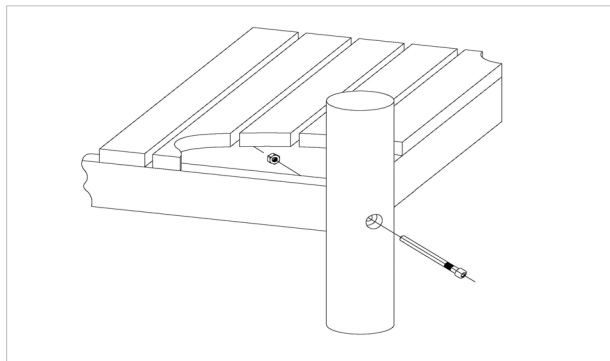
Order:

1294884

Location:

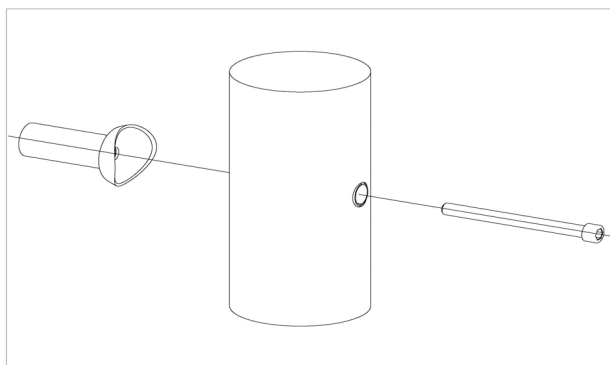
Building Project:

22 x SFES1200001 Platform fastening to stainless steel post, nut on the side of the platform



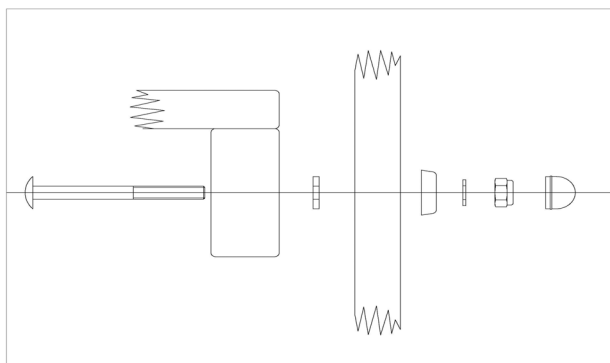
per SC	Total	K&K-Item	Marking
1 x	22 x	3430021	Lock nut M12 DIN985 A2
1 x	22 x	2030651	Cheese head screw with pin M12 x 125

72 x SFES1210001 Standard bolting of attachment parts (except platforms) to stainless steel posts



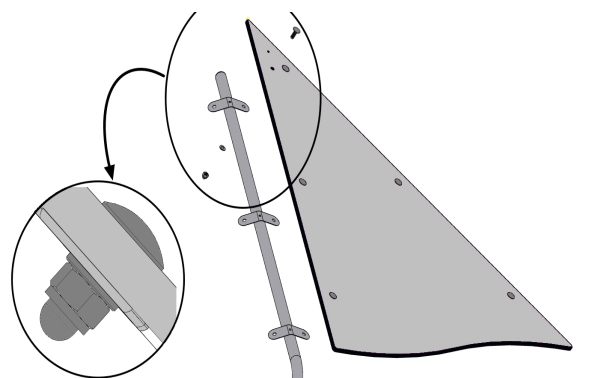
per SC	Total	K&K-Item	Marking
1 x	72 x	2030168	Cheese head screw with pin M12x140

3 x SFXS1210002 Waling timber for parapet fastening to platforms



per SC	Total	K&K-Item	Marking
1 x	3 x	3300057	white protective screw cap - upper part, M10
1 x	3 x	3430048	Lock nut M10 DIN985 A2
1 x	3 x	3300056	white protective screw cap - lower part, M10
1 x	3 x	3430014	Washer Ø 10,5 DIN125 form B A2
1 x	3 x	3430108	washer Ø 10,5 DIN 7349 A2
1 x	3 x	3400651	Mushroom head screw M10 x 95 DIN603 A2

36 x SFAS1240029 HPL panel fastening to roof pipe support



per SC	Total	K&K-Item	Marking
1 x	36 x	3430011	hexagon cap nut M10 DIN986 A2
1 x	36 x	3430014	Washer Ø 10,5 DIN125 form B A2
1 x	36 x	3400138	mushroom head screw square neck M10x30 DIN 60

Item: **041300500**
Slide tower (3,90)

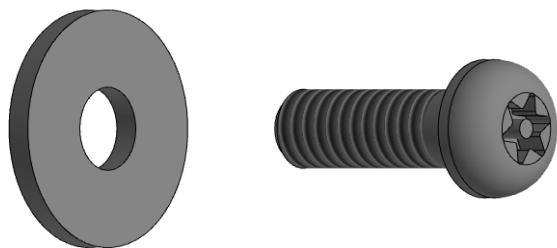
Order:

1294884

Location:

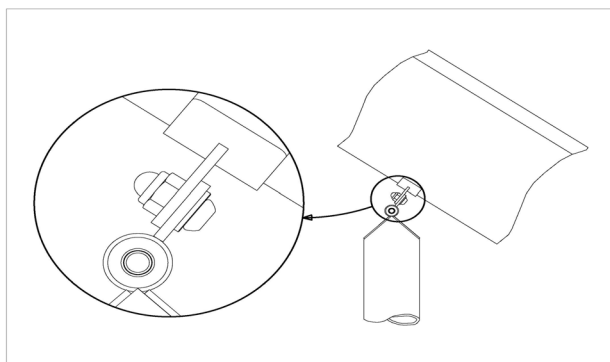
Building Project:

3 x SFAS1240032 Roof hood fastening on HPL panels



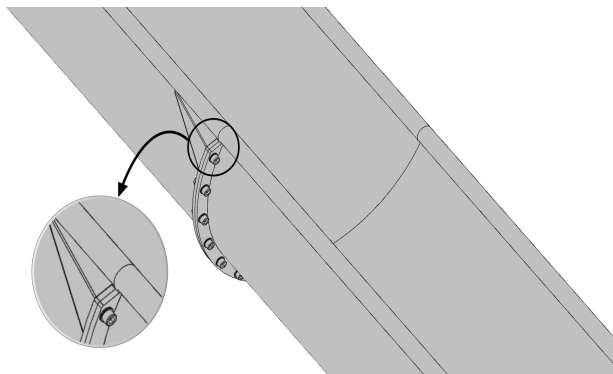
per SC	Total	K&K-Item	Marking
1 x	3 x	3430102	Washer Ø 8.4 DIN9021 A2
1 x	3 x	3400673	Dome head screw M8x20 A2 Security Torx TR40

2 x SFAS1070004 Slide support post below hill slide



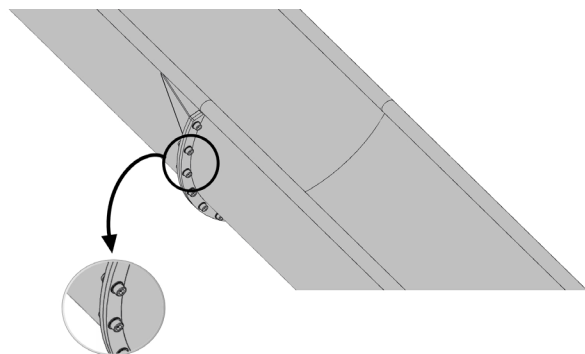
per SC	Total	K&K-Item	Marking
1 x	2 x	3430025	Washer Ø 13 DIN125 A2
1 x	2 x	3400622	Dome head security bolt M12x25 PinHexagon A2 safety coated thread

2 x SFAS1070013 Flange connection of hill slide sections



per SC	Total	K&K-Item	Marking
1 x	2 x	3430014	Washer Ø 10,5 DIN125 form B A2
1 x	2 x	3400162	Cheese head screw M10 x 30 DIN912 A2

11 x SFAS1070012 Flange connection of hill slide sections



per SC	Total	K&K-Item	Marking
2 x	22 x	3430014	Washer Ø 10,5 DIN125 form B A2
1 x	11 x	3430011	hexagon cap nut M10 DIN986 A2
1 x	11 x	3400162	Cheese head screw M10 x 30 DIN912 A2

Item: **041300500**
Slide tower (3,90)

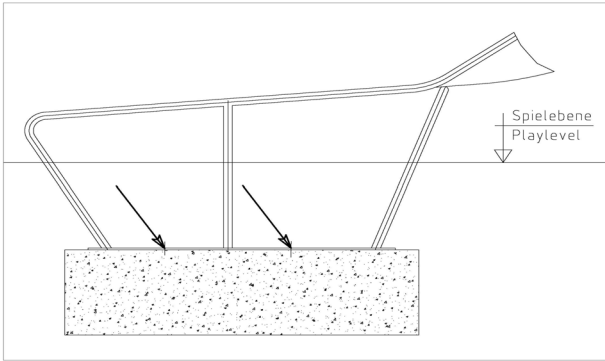
Order:

1294884

Location:

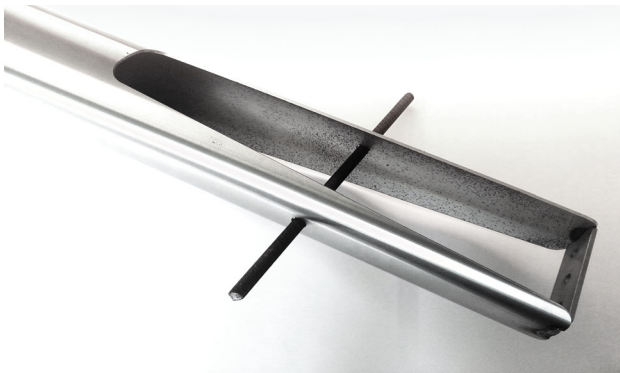
Building Project:

4 x SFXS1070008 Slide run-out section (midi) stone bolt assembly



per SC	Total	K&K-Item	Marking
1 x	4 x	1070365	Set of stone bolts for slide run-out section M12x160

18 x SFAS1270001 reinforcing steel bar for posts



per SC	Total	K&K-Item	Marking
1 x	18 x	2130000	Reinforcing steel Ø 10 x 310 DIN 488

1 x SFWZ0000001 Security TORX wrench TR40



per SC	Total	K&K-Item	Marking
1 x	1 x	3490081	Security TORX wrench TR40

1 x SFWZ0000005 Allen key security hex socket AF8



per SC	Total	K&K-Item	Marking
1 x	1 x	3490057	Allen key security hex socket AF8

Item: **041300500**
Slide tower (3,90)

Order:

1294884

Location:

Building Project:

1 x SFWZ000009 Hexagon insert socket driver 10mm 1/2"
with borehole for Pin



per SC	Total	K&K-Item	Marking
1 x	1 x	2030170	Hexagon insert socket driver 10 mm 1/2" with drill hole for Pin

1 x SFWZ000014 Lubricating metal, bag (4 g)



per SC	Total	K&K-Item	Marking
1 x	1 x	5300024	Metaflux fitting lubricant 2x4 g