



Item

057012000
Balance exerciser

(exemplary colour illustration)

Mounting instructions

1. for installation as *permanently installed public **playground equipment*** according to **EN 1176** (Page: 1)
2. for installation as *permanently installed outdoor **fitness equipment*** according to **EN 16630** (Page: 2)



The delivered product is labelled with a round sticker stating the standard intended for use (EN 16630 or EN 1176).

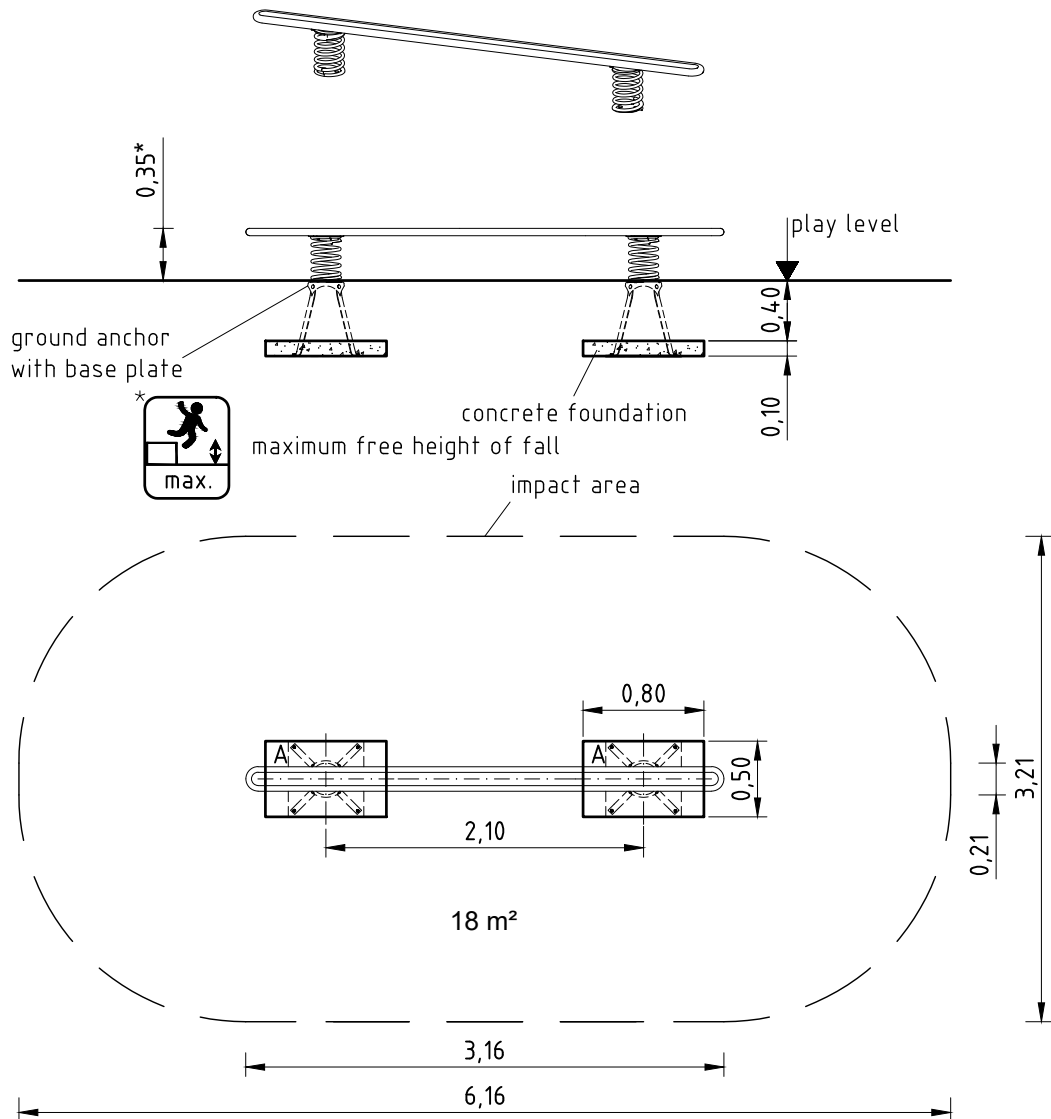


Mounting instructions for installation as permanently installed public **playground equipment** according to **EN 1176**

www.kaiser-kuehne.com T. +49 (0) 42 54 / 93 15-0

© Kaiser & Kühne Freizeitgeräte D-27324 Eystrup

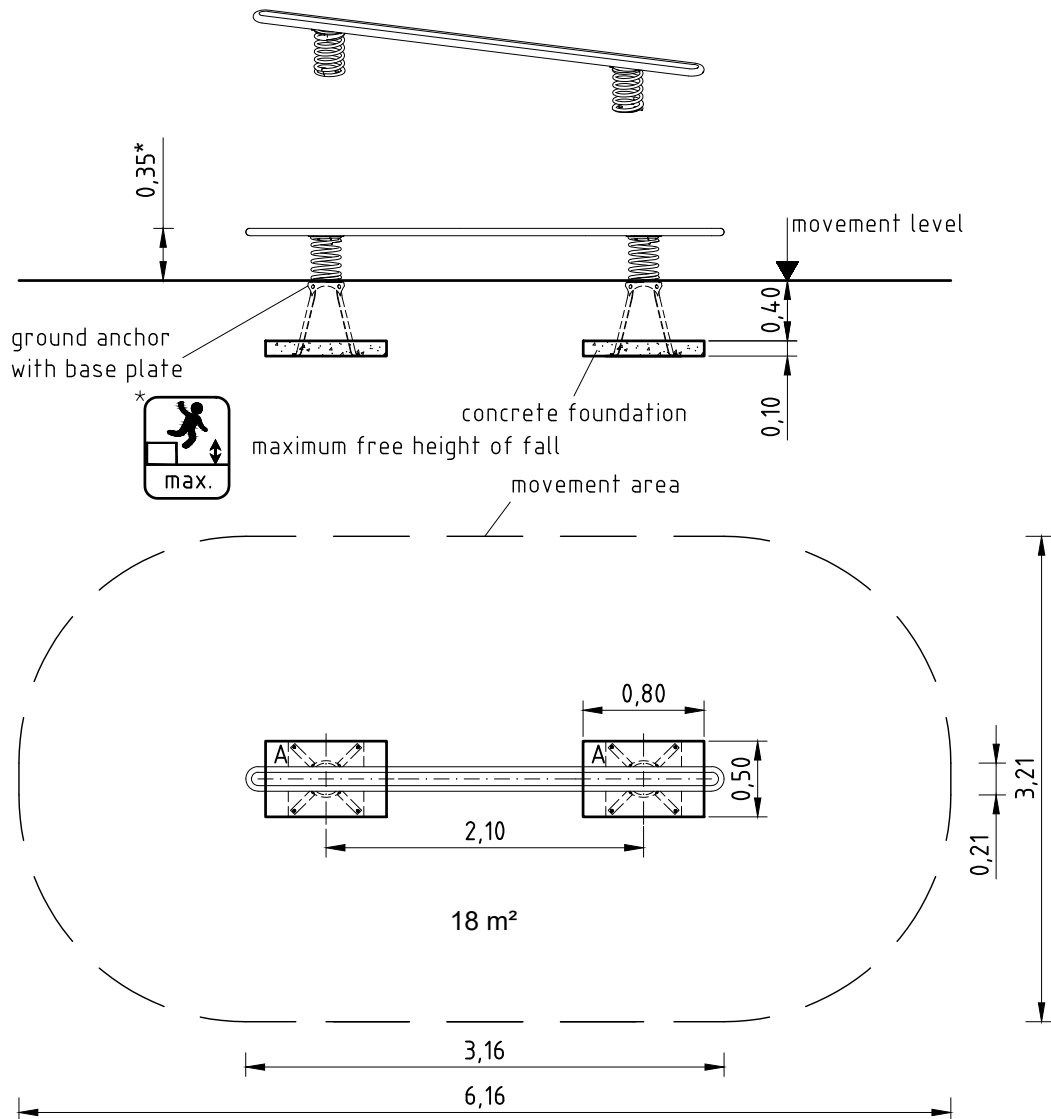
Installation



1. Assign a location for the equipment considering the space requirement (impact area).
2. Excavate soil for foundations, according to drawing. Please note: To achieve maximum stability and a safe installation, a moderate level of soil solubility is required.
3. Put the pre-assembled unit into the holes and align it by using a spirit level.
4. With light soil (e.g. sand, bark mulch, fine gravel), it is essential to cover the ground anchors and base plates with compressed concrete C20/25 as specified. The soil characteristics of the area surrounding the equipment must have an appropriate level of shock absorption corresponding to the free height of fall (according to EN 1176-1).
5. Release for play after concrete foundations have set.

Please take care that all special tools (e.g. special Allen key for secured Allen screws etc.) and all specific documents which are or may be useful for safety management according to EN 1176-7 (e.g. invoice, delivery note, order acknowledgement, installation and maintenance instructions) are forwarded to the responsible persons.

Mounting instructions for installation as permanently installed outdoor **fitness equipment** according to **EN 16630**



1. Assign a location for the equipment considering the space requirement (movement area).
2. Excavate soil for foundations, according to drawing. Please note: To achieve maximum stability and a safe installation, a moderate level of soil solubility is required.
3. Put support posts into the respective hole of foundation. Movement level mark complies with the mounting depth of the posts.
4. Grout foundations with compressed concrete C20/25, chamfer and round off the edges. The soil characteristics of the area surrounding the equipment must have an appropriate level of shock absorption corresponding to the free height of fall (according to EN 1176-1).
5. Release for play after concrete foundations have set.

Please take care that all special tools (e.g. special Allen key for secured Allen screws etc.) and all specific documents which are or may be useful for a safety management (e.g. invoice, delivery note, order acknowledgement, installation and maintenance instructions) are forwarded to the responsible persons.