

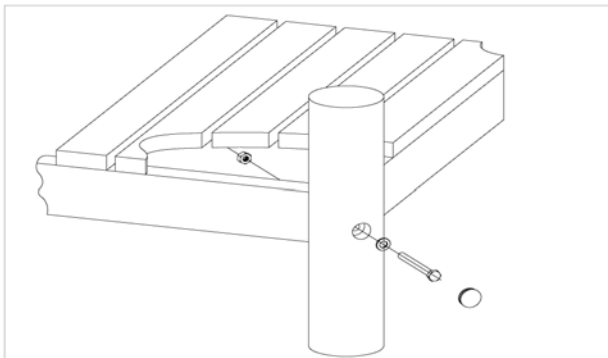
Installation

Item No.	Description	Scale	Date	Page
0-33155-702	K&K House for water pump	1:20	12/16 EB	1

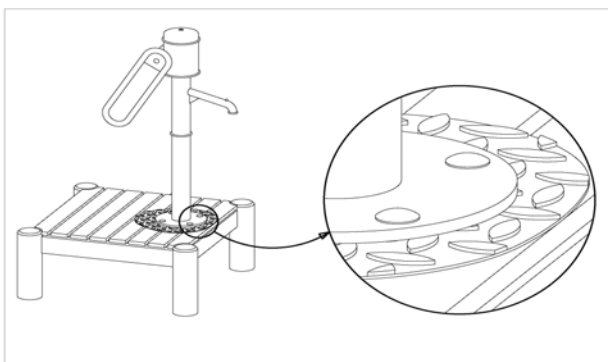
Item: 033155702
Order:

1298888

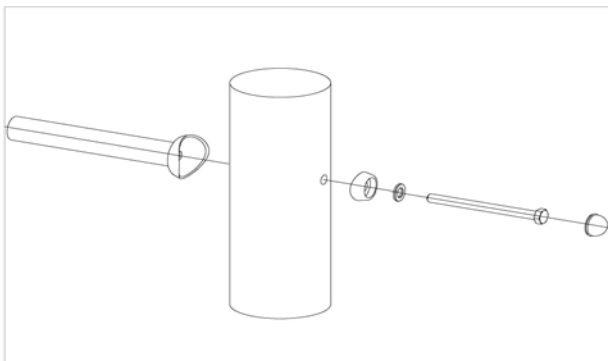
K&K House for pump with handle

Location:
Building Project:
4 x SFRS1200001 Platform at robinia posts, nut on platform side


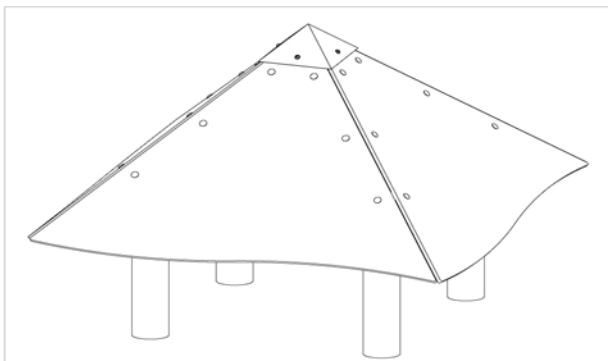
per SC	Total	K&K-Item	Marking
1 x	4 x	3400700	Hexagon head screw M12 x 120 DIN931 A2 with screw security coating/FGB red
1 x	4 x	3300016	Grey domed plastic cover cap SL 36 G
1 x	4 x	3430129	Washer Ø 14 DIN1440 A2
1 x	4 x	3430021	Lock nut M12 DIN985 A2

1 x SFAS1260001 Water pump onto platform


per SC	Total	K&K-Item	Marking
4 x	4 x	3430051	Hexagon cap nut M12 DIN 986 A2
4 x	4 x	3430025	Washer Ø 13 DIN125 A2
4 x	4 x	3400249	Mushroom head screw M12 x 60 DIN603 A2

8 x SFRS1210001 Standard bolting for parapet, handrail, slide etc. at Robinia posts


per SC	Total	K&K-Item	Marking
1 x	8 x	3300055	Screw cap - upper part M12 P2 colour red/RAL 2002 PA6
1 x	8 x	3300054	Screw cap - lower part, domed M12 colour red/RAL 2002 PA6
1 x	8 x	3430025	Washer Ø 13 DIN125 A2
1 x	8 x	3400702	Hexagon head cap screw M12 x 160 DIN931 A2 with screw security coating FGB red

1 x SFAS1240007 Tent roof 4 x 0,80 m with hood


per SC	Total	K&K-Item	Marking
24 x	24 x	3430011	Hexagon cap nut M10 DIN986 A2
24 x	24 x	3430014	Washer Ø 10,5 DIN 125 B A2
4 x	4 x	3400673	Dome head security screw M8 x 20 Resistorx A2
4 x	4 x	3430102	Washer Ø 8.4 DIN9021 A2
24 x	24 x	3400138	mushroom head screw square neck M10x30 DIN 60

Item: **033155702**

Order:

1298888

K&K House for pump with handle

Location:

Building Project:

4 x SFES1270007 Reinforcing steel for tubular pedestals



per SC	Total	K&K-Item	Marking
1 x	4 x	2130000	Reinforcing steel Ø 10 x 310 DIN 488

1 x SFWZ0000001 Security TORX wrench TR40



per SC	Total	K&K-Item	Marking
1 x	1 x	3490081	Security TORX wrench TR40

1 x SFWZ0000012 Lubricating metal (30g box) incl. brush



per SC	Total	K&K-Item	Marking
1 x	1 x	5300039	Lubricating metal box 30g
1 x	1 x	5200026	Brush for lubricating metal