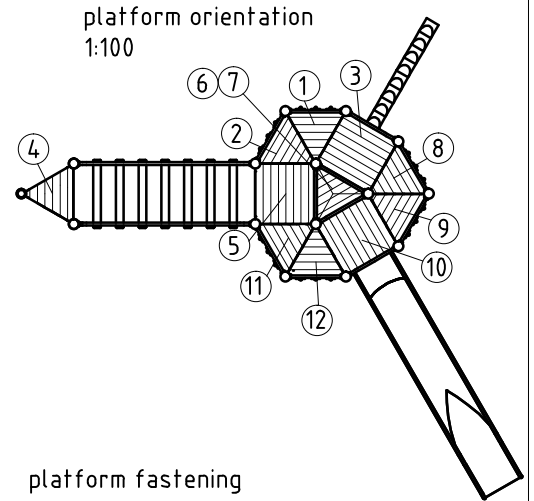


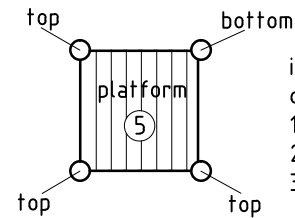
1. Assign a device location considering the space requirements (impact area). Slide direction recommended: north-east or in half-shade of trees.
2. Excavate soil for foundations, according to drawing.  
Please note: To achieve maximum stability and a safe installation, a moderate level of soil solubility is required.
3. Pour in a drain layer of gravel of approx. 10 cm thickness between the bottom of the steel posts and plain base of foundation.
4. Insert reinforcing steel into the corresponding holes of the steel posts.
5. Place posts type A (see foundation layout) according to the corresponding number into the respective foundation hole. Play level mark (=aluminium blind rivet) complies with the installation depth. Align every post by means of the play level mark facing into the same direction (see detail or foundation layout).
6. **For installation of the pre-assembled components and/or single parts, the screws slightly have to be lubricated with installation paste!**  
Screw together platforms and posts by using the respective hole in the mounting brackets (according to chart).  
**Tighten all screws after having aligned all components.**  
Install the slide exit with an inclination of 5° in sliding direction.  
Screw connections see details in list of screw connections attached.
7. Grout foundations with compressed concrete C20/25, chamfer and round off the edges, cover the foundations with a surface which meets the requirements for impact attenuation so that the critical fall height of the surfacing is equal to, or greater than, the free height of fall of the equipment (acc. to EN 1176-1). The run-out section fall zone must have surfacing with a critical fall height of at least 1000 mm (acc. to EN 1176-3).
8. Release for play after concrete foundations have set.
9. According to maintenance instructions, check all screw connections after 4-5 weeks and retighten, if necessary.

Please ensure that all special tools supplied (e.g. Allen key for secured Allen screws etc.) and all specific documents which are or may be useful for safety management acc. to EN 1176-7 (e.g. invoice, delivery note, order acknowledgement, installation instructions, maintenance instructions) are forwarded to the persons responsible.

**Necessarily insert all attachment parts before tightening the screws.  
It is NOT possible to insert them afterwards.**



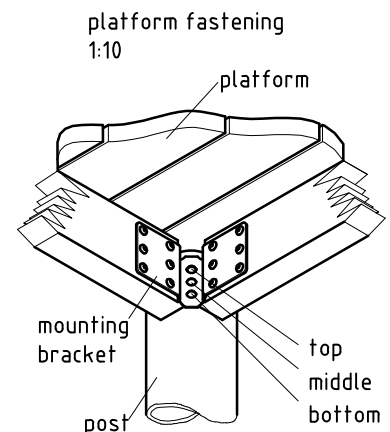
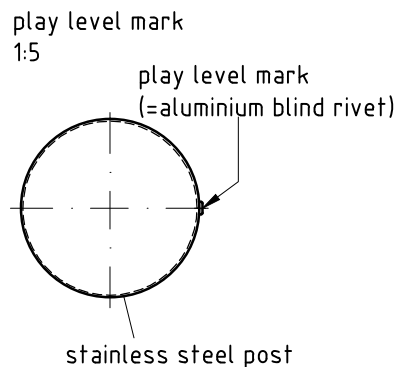
platform fastening 1:50

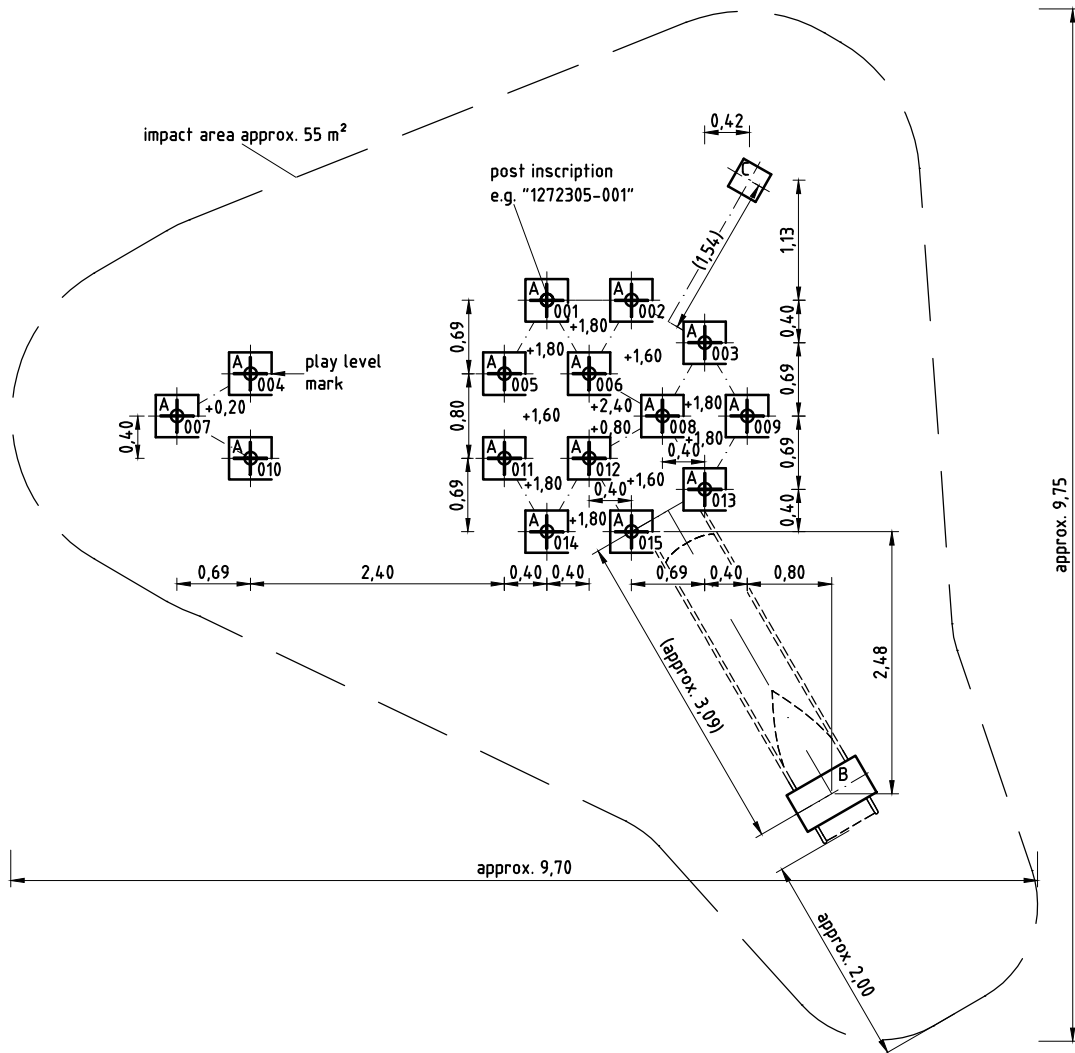
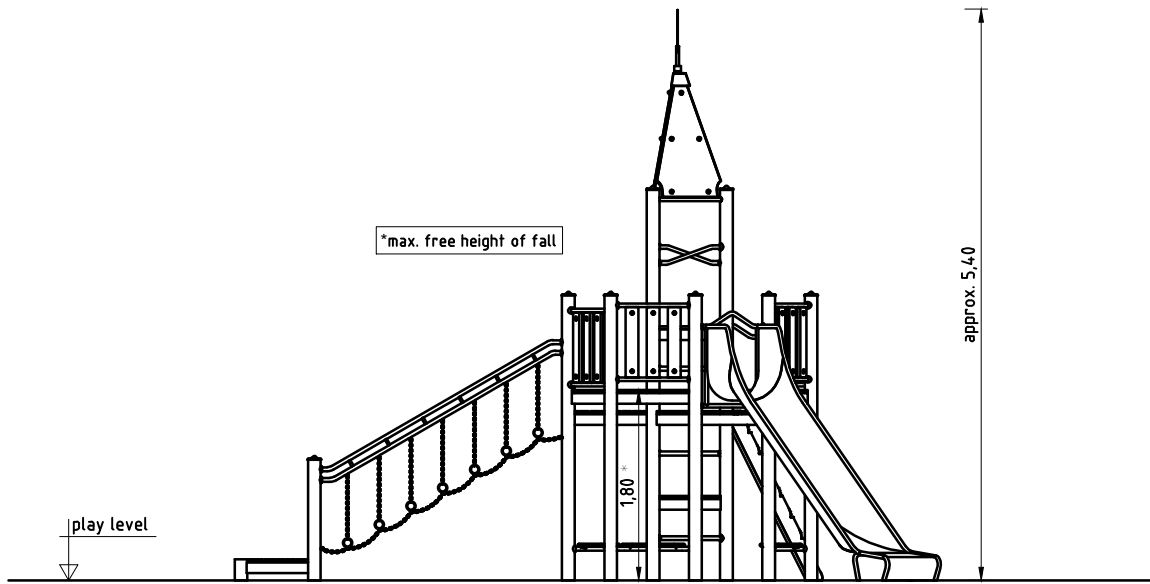


- installation order of square platforms:
1. platform no. 5
  2. platform no. 3
  3. platform no. 10

chart for platform fastening

platform-no	fastening hole		
	top	middle	bottom
1	x		
2			x
3	x		
4		x	
5	x		x
6		x	
7		x	
8	x		
9			x
10			x
11	x		
12			x



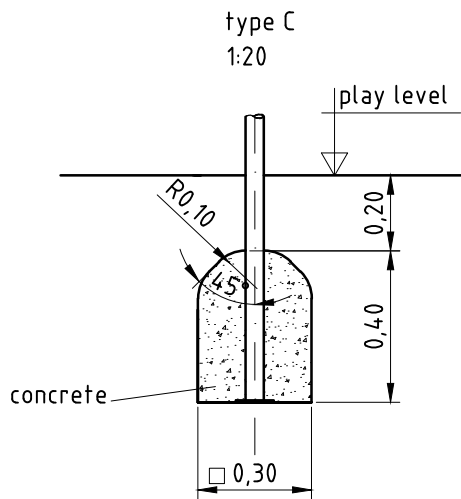
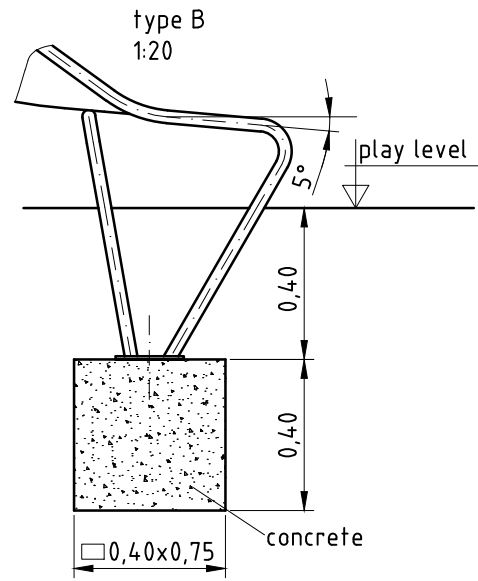
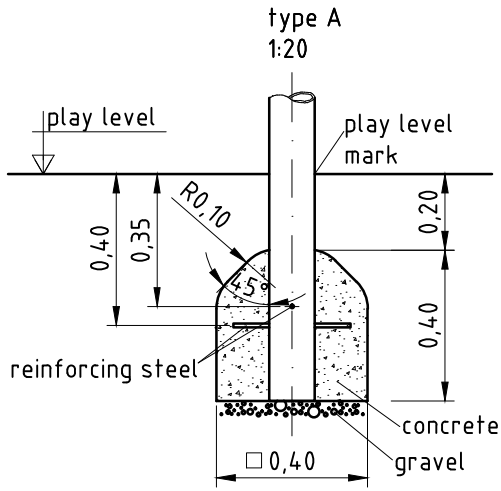


**Please note:**

Due to the format size, this installation is not to scale (apart from single details).

Please refer to the dimensions indicated.

An installation documentation scale 1:50 can be submitted on request.



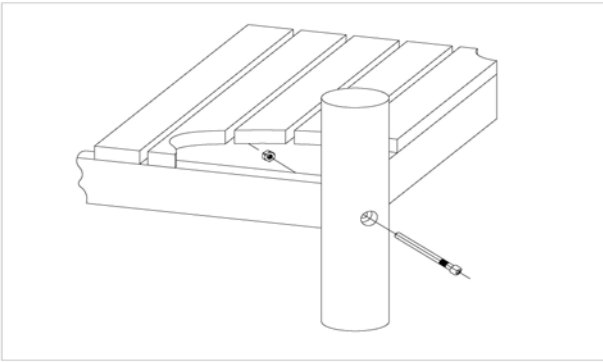
**Item: 0-23131-503**  
 K&K Play structure

Order:

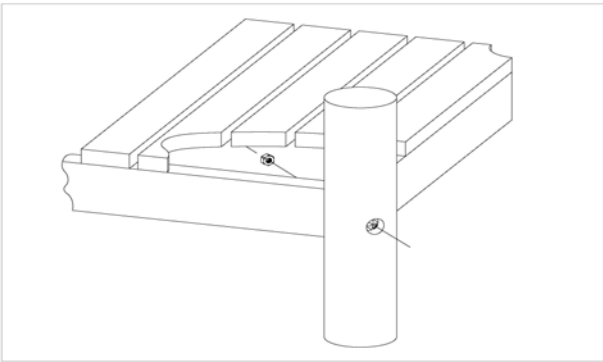
1296309

Location:

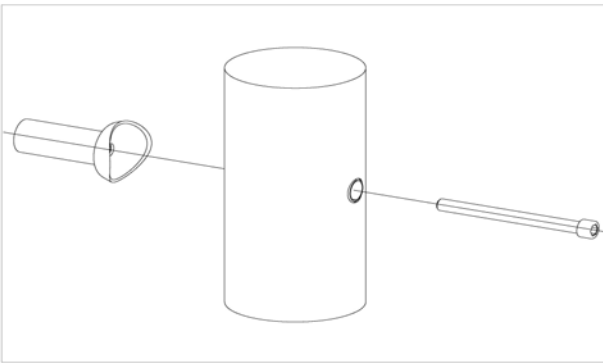
Building Project:

**36 x SFES1200001 Fixing of platform at stainless steel post nut on platform site**


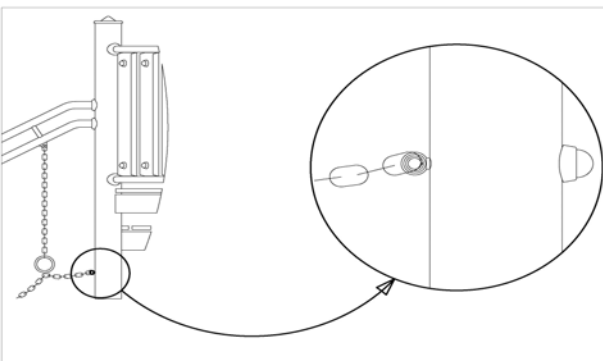
per SC	Total	K&K-Item	Marking
1 x	36 x	3430021	Lock nut M12 DIN985 A2
1 x	36 x	2030651	Cheese head screw M12 x 125 with pin and blue colour mark

**3 x SFES1200004 Platform at stainless steel posts factory setting bolt**


per SC	Total	K&K-Item	Marking
1 x	3 x	3430021	Lock nut M12 DIN985 A2

**62 x SFES1210001 Standard bolting of add-on pieces for fastening of ES120 add-on pieces at steel posts (except platforms)**


per SC	Total	K&K-Item	Marking
1 x	62 x	2030168	Cheese head screw M12x140 with pin for fastening of ES120-add-on pieces at steel posts (except platforms)

**4 x SFRS1200009 Timber-course connecting chain for totter bridge/ totter bow to posts**


per SC	Total	K&K-Item	Marking
1 x	4 x	3430021	Lock nut M12 DIN985 A2
1 x	4 x	3300055	Screw cap - upper part M12 P2 colour red/RAL 2002 PA6
1 x	4 x	3430025	Washer Ø 13 DIN125 A2
1 x	4 x	3300054	Screw cap - lower part, domed M12 colour red/RAL 2002 PA6

Item: **0-23131-503**  
K&K Play structure

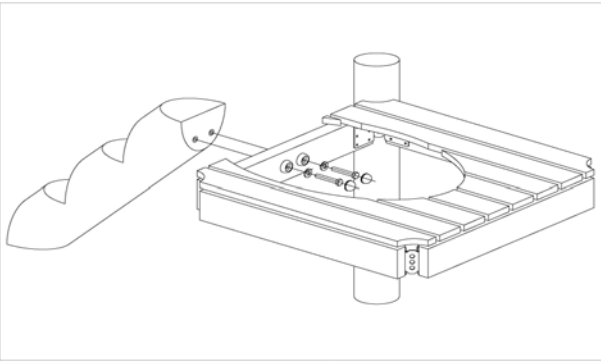
Order:

1296309

Location:

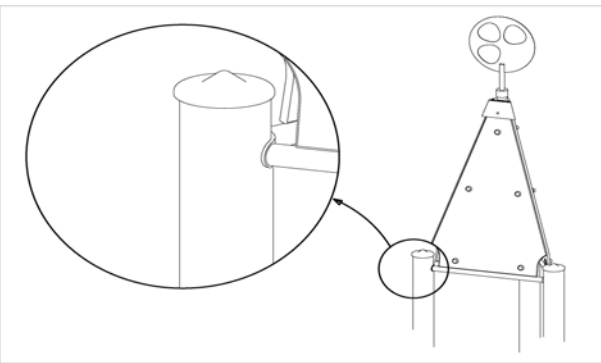
Building Project:

**1 x SFAS1230004 Ascending trunk at platform stringer**



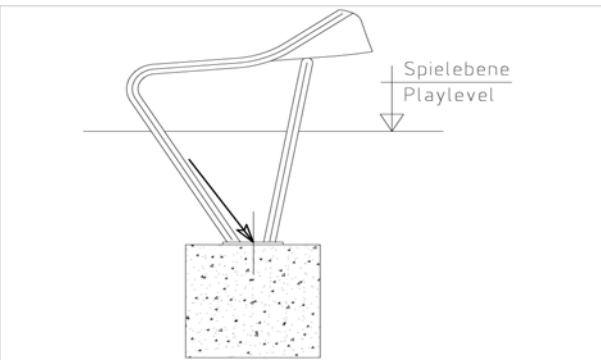
per SC	Total	K&K-Item	Marking
2 x	2 x	3430025	Washer Ø 13 DIN125 A2
2 x	2 x	3400414	Hexagon head cap screw M12 x 75 DIN931 A2
2 x	2 x	3300055	Screw cap - upper part M12 P2 colour red/RAL 2002 PA6
2 x	2 x	3300045	Screw cover cap, flat, M 12 PA6 P1 (lower part) colour: red/RAL 2002

**3 x SFES1240002 Roof frame of spire roof 80° with wind mobile at stainless steel posts**



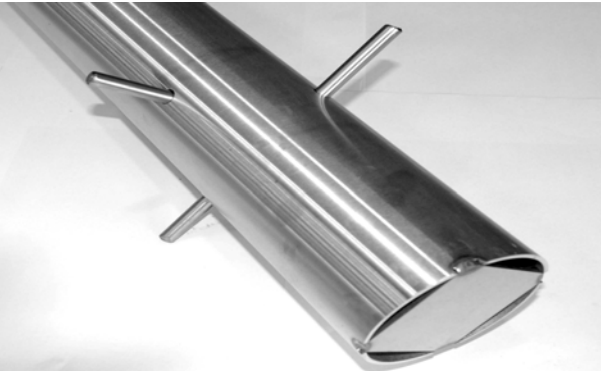
per SC	Total	K&K-Item	Marking
1 x	3 x	3430051	Hexagon cap nut M12 DIN 986 A2
1 x	3 x	3430025	Washer Ø 13 DIN125 A2
1 x	3 x	2030169	Cheese head screw M12 x 130 with pin intended to connect ES120-platform onto support post

**1 x SFAS1070006 Slide run-out section (up to 2,00 m) on foundation stone bolt assembly**



per SC	Total	K&K-Item	Marking
2 x	2 x	1070365	Set of stone bolts for slide run-out section M12x160

**15 x SFES1270001 Reinforcing steel for stainless steel posts**



per SC	Total	K&K-Item	Marking
2 x	30 x	2130000	Reinforcing steel Ø 10 x 310 DIN 488

Item: **0-23131-503**  
K&K Play structure

Order:

1296309

Location:

Building Project:

**1 x SFWZ000009 Hexagon insert socket driver 10mm 1/2"**  
**with borehole for Pin**



per SC	Total	K&K-Item	Marking
1 x	1 x	2030170	Hexagon insert socket driver 10 mm 1/2" with drill hole for Pin

**2 x SFWZ000012 Lubricating metal (30g box) incl. brush**



per SC	Total	K&K-Item	Marking
1 x	2 x	5300039	Lubricating metal box à 30g
1 x	2 x	5200026	Brush for lubricating metal