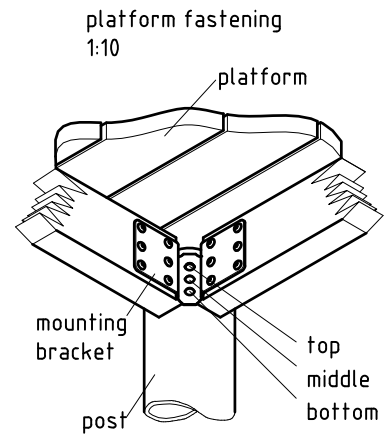
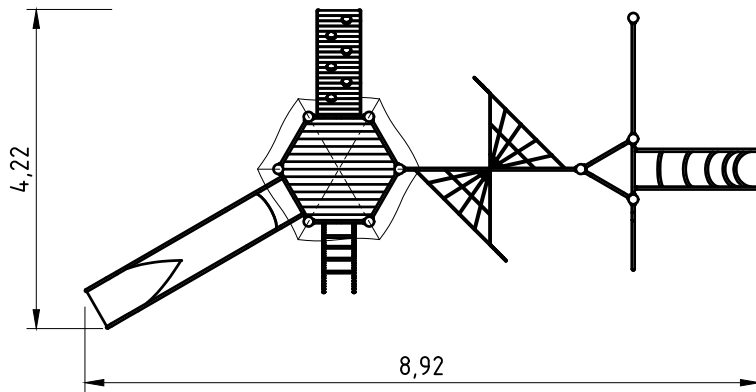


Installation

Item-No.	Description	Scale	Date	Page
0-21775-503	K&K Play structure	1:50	06/19 EB	1/5

platform orientation
1:100



1. Assign a device location considering the space requirements (impact area).
Slide direction recommended: north-east or in half-shade of trees.
2. Excavate soil for foundations, according to drawing.
Please note: To achieve maximum stability and a safe installation, a moderate level of soil solubility is required.
3. Pour in a drain layer of gravel of approx. 10 cm thickness between the bottom of the posts and plain base of foundation.
4. Insert reinforcing steel into the corresponding holes of the posts.
5. Place posts type A according to the corresponding number (see foundation layout) into the respective foundation hole. Play level mark (=aluminium blind rivet) complies with the installation depth. Align every post by means of the play level mark facing into the same direction (see detail or foundation layout).
- 6. For installation of the pre-assembled components and/or single parts, the screws slightly have to be lubricated with installation paste!**
Screw together platform and posts by using the middle hole in the mounting brackets.
Tighten all screws after having aligned all components.
Install the slide exit with an inclination of 5° in sliding direction so that rain water can drain off.
Screw connections see details in attached list.
7. Grout foundations with compressed concrete C20/25, chamfer and round off the edges, cover the foundations with a surface which meets the requirements for impact attenuation so that the critical fall height of the surfacing is equal to, or greater than, the free height of fall of the equipment (acc. to EN 1176-1). The run-out section fall zone must have surfacing with a critical fall height of at least 1000mm (acc. to EN 1176-3).
8. Release for play after concrete foundations have set.
9. According to maintenance instructions, check all screw connections after 4-5 weeks and retighten, if necessary.

Please ensure that all special tools supplied (e.g. Allen key for secured Allen screws etc.) and all specific documents which are or may be useful for safety management acc. to EN 1176-7 (e.g. invoice, delivery note, order acknowledgement, installation instructions, maintenance instructions) are forwarded to the persons responsible.

Necessarily insert all attachment parts before tightening the screws. It is NOT possible to insert them afterwards.

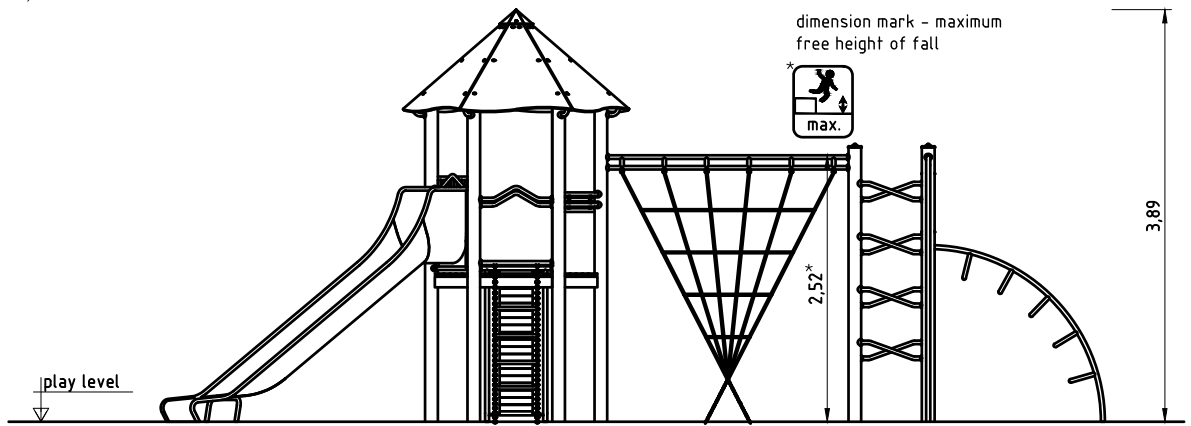
Front view

Space occupied by equipment
8,92 x 4,22 x 3,89 m

dimension mark - total height of the equipment



dimension mark - maximum free height of fall



Foundation layout

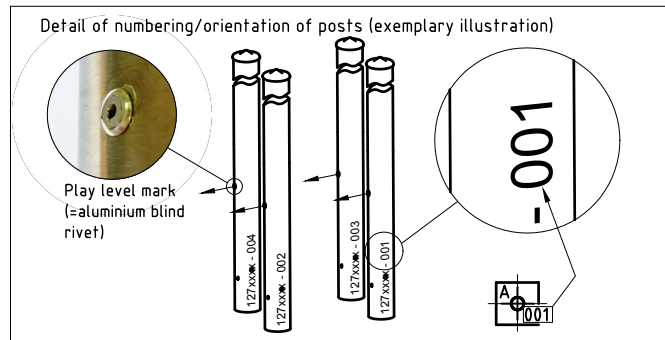
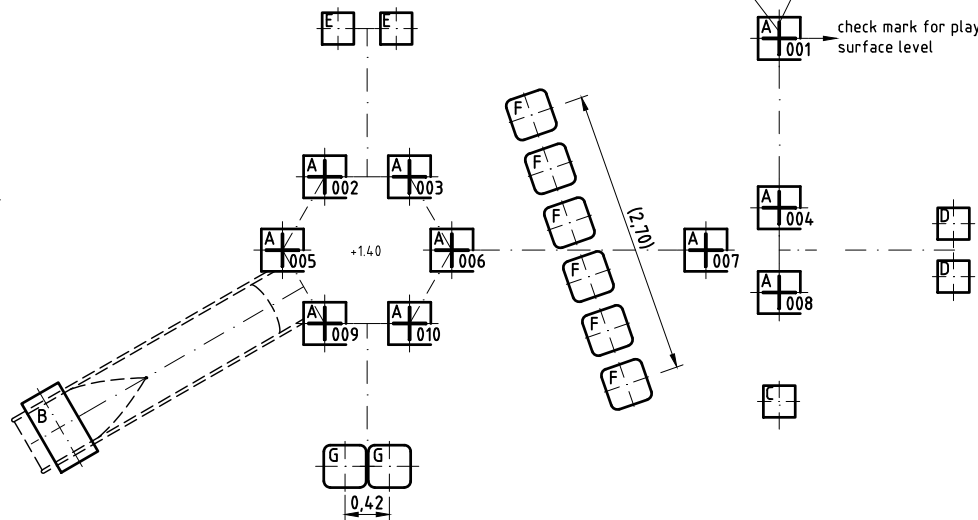
Foundations (on site)
10 x 0,40 x 0,40 x 0,40 m
5 x 0,30 x 0,30 x 0,40 m
1 x 0,40 x 0,75 x 0,40 m

(approximate) concrete needs
1 m³

post inscription e.g. "001 0-21775-703"

reinforcing steel

check mark for playing surface level

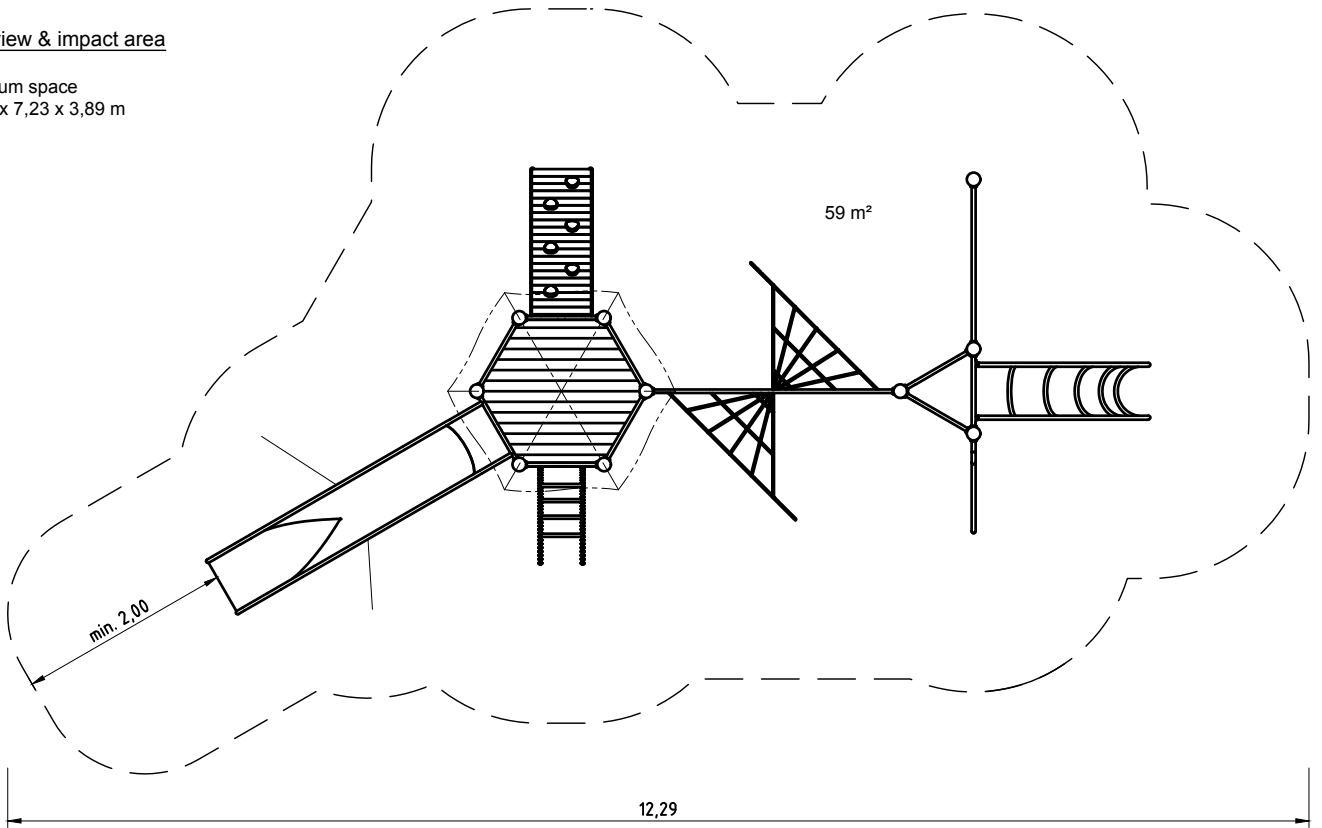


Please note:

Due to the format size, this installation is not to scale (apart from single details).
Please refer to the dimensions indicated.
An installation documentation scale 1:50 can be submitted on request.

Top view & impact area

Minimum space
12,29 x 7,23 x 3,89 m

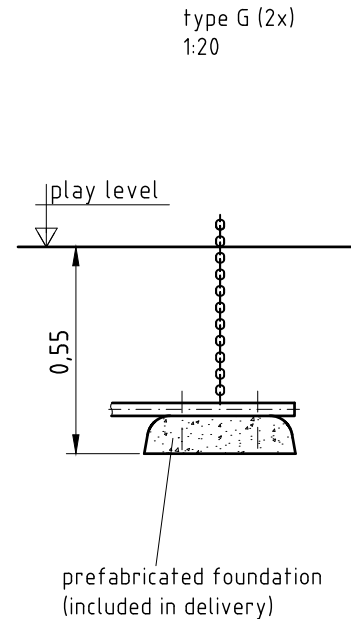
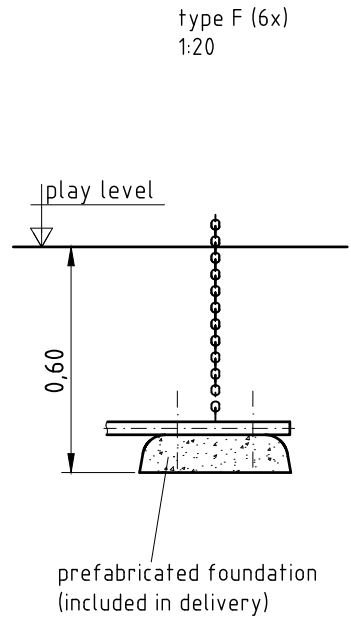
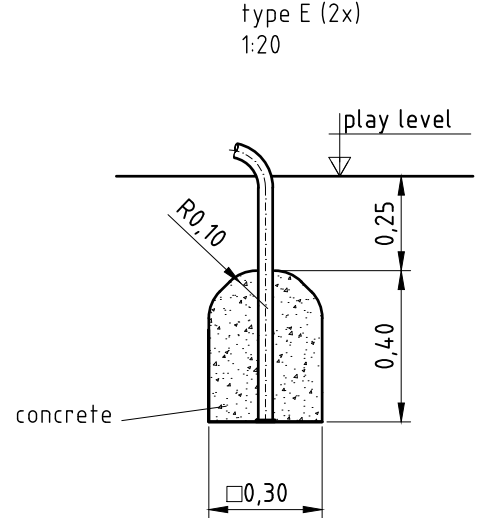
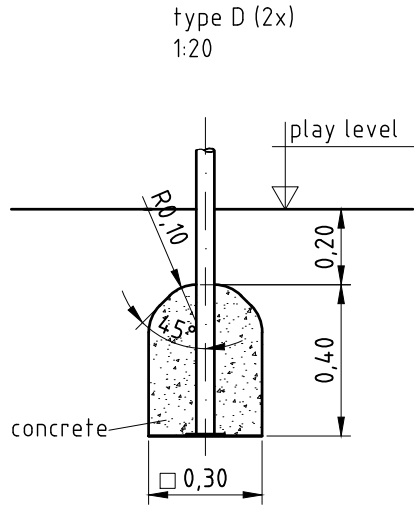
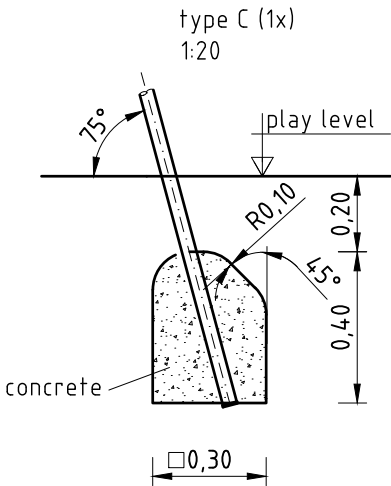
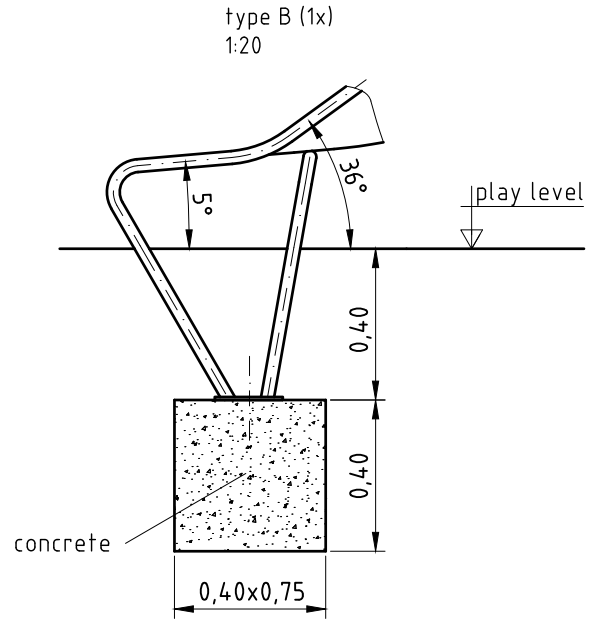
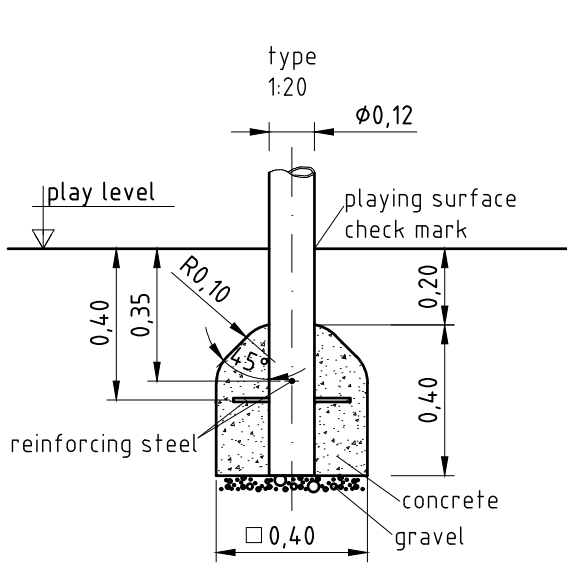



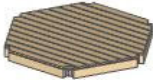




Please note:

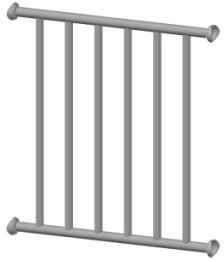





Due to the format size, this installation is not to scale (apart from single details).


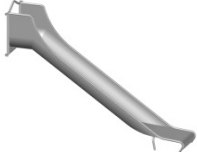

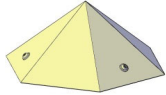
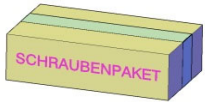
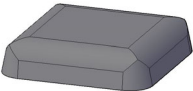
Please refer to the dimensions indicated.

An installation documentation scale 1:50 can be submitted on request.



<u>Parts list</u>		021775503	GB
item no.	quantity	description	image
1273419	1	set of 10 pcs. of stainless steel posts with stainless steel post cap / blue RAL 5015	
1200006	1	hexagonal platform 6 x 0,80	
1210022	2	tandem guardrail 0,80 m	
1210358	2	bowed guardrail 0,80 m	
1210359	1	horizontal bar/ladder rung 0,80 m	
1210361	8	stepped handrail 0,80 m x 0,15 m	

<u>Parts list</u>		021775503	GB
item no.	quantity	description	image
1210042	1	stainless steel infill barrier 0,80 m x 0,80 m	
1230090	1	Black spatial climbing net 2,40m, height 2,50m	
1210360	1	stainless steel horizontal bar 1,60 m	
1230123	1	sloped chain ladder 0,80 installation height 1,40	
1230406	1	inclined climbing pole / 2,50 m / 15°	
1230100	1	climb up ramp 0,80 m platform height 1,40 m	

<u>Parts list</u>		021775503	GB
item no.	quantity	description	image
1230088	1	arch-shaped ladder 0,80 platform height 1,40 m	
041415001	1	K&K Trough-shaped attachment slide (1,40)	
1240072	1	tent roof 45° / 6 x 0,80 m / blue HPL	
6240055	1	hood for tent roof 6 x 45°	
1292923	1	fastening kit	
015150	8	pre-fabricated concrete foundation for spatial climbing net and chain ladder	

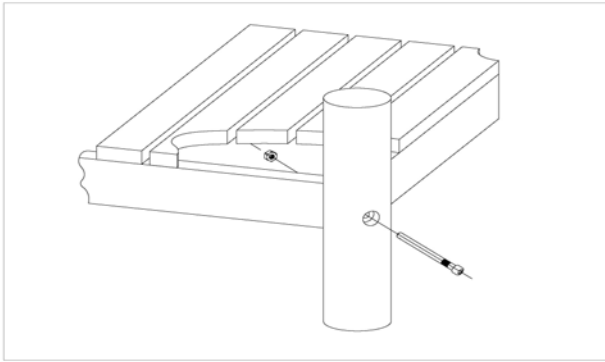
Item: **0-21775-502**
 K&K Play structure
 Location:

Order:

1292923

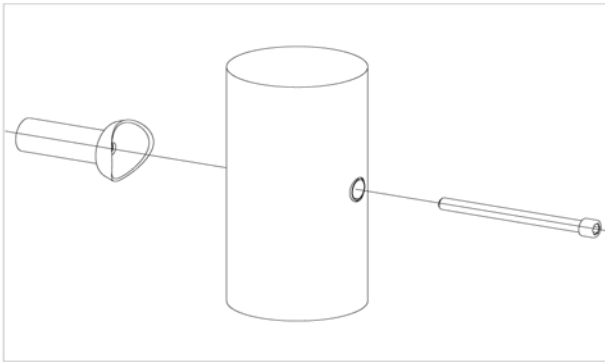
Building Project:

6 x SFES120001 Fixing of platform at stainless steel post nut on platform site



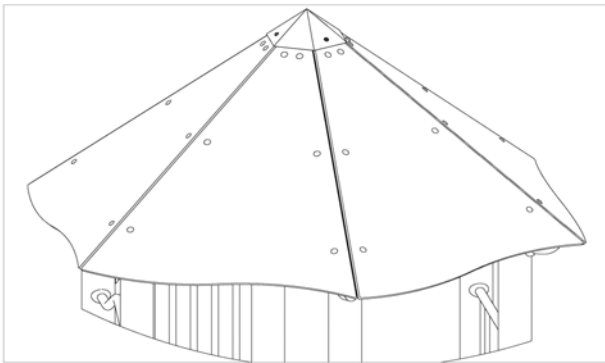
per SC	Total	K&K-Item	Marking
1 x	6 x	3430021	Safety nut M12 DIN985 A2
1 x	6 x	2030651	Cheese head screw M12 x 125 with pin and blue colour mark

57 x SFES1210001 Standard bolting of add-on pieces intended to connect ES120-add-on pieces (except platforms) at support post



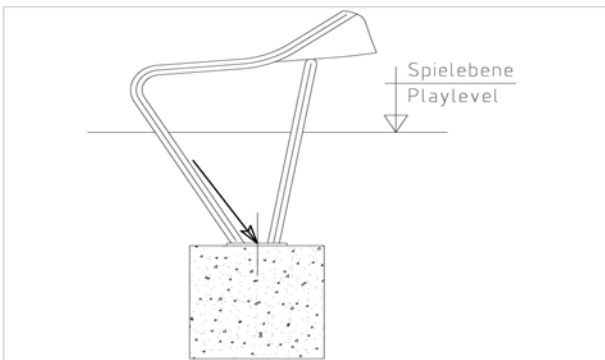
per SC	Total	K&K-Item	Marking
1 x	57 x	2030168	Cheese head screw M12x140 with pin Intended to connect ES120-add-on pieces (except platforms) at support post

1 x SFAS1240013 Tent roof 6 x 0,80 m with roof hood HPL plates on metal supports and roof hood fastening



per SC	Total	K&K-Item	Marking
36 x	36 x	3430011	Hexagon cap nut M10 DIN986 A2
36 x	36 x	3430014	Washer Ø 10,5 DIN 125B A2
3 x	3 x	3400673	Dome head security bolt M8 x 20 Resistorx A2
3 x	3 x	3430102	Washer Ø 8.4 DIN9021 A2
36 x	36 x	3400138	Mushroom head screw M10 x 30 DIN 603 A2

1 x SFAS1070006 Slide-run-out-section (up to 2.00 m) on foundation



per SC	Total	K&K-Item	Marking
2 x	2 x	1070365	Stonescrew set for slide-runout M12 x 160

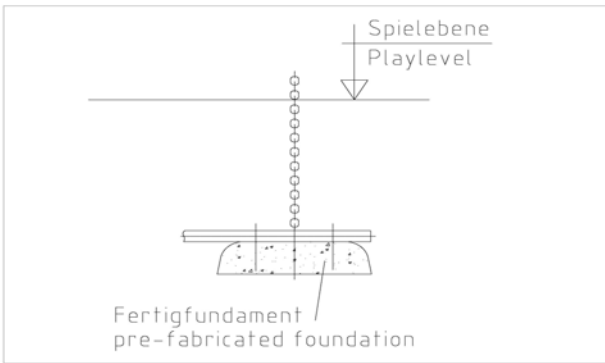
Item: **0-21775-502**
 K&K Play structure
 Location:

Order:

1292923

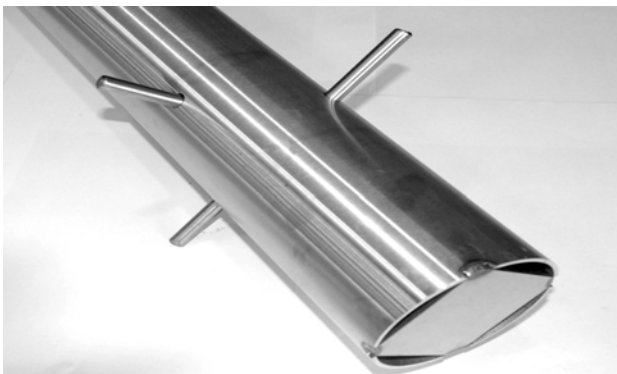
Building Project:

8 x SFAS1230007 Connection pipe between chain ladder/space net and prefab foundation (item n° 15150)



per SC	Total	K&K-Item	Marking
2 x	16 x	3430025	Washer Ø 13 DIN125 A2
2 x	16 x	3400498	Hexagon head cap screw M12 x 55 DIN931 A2

10 x SFES1270001 Reinforcing steel for stainless steel post



per SC	Total	K&K-Item	Marking
2 x	20 x	2030199	Reinforcing steel ES120 Ø 12 x 250 1.4301

1 x SFWZ0000001 Allen key TORX T40 with drill hole for Pin



per SC	Total	K&K-Item	Marking
1 x	1 x	3490081	Allen key TORX T 40 with drill hole for Pin

1 x SFWZ0000009 Hexagon insert socket driver 10mm 1/2" with borehole for Pin



per SC	Total	K&K-Item	Marking
1 x	1 x	2030170	Hexagon insert socket driver 10 mm 1/2" with drill hole for Pin

Item: **0-21775-502**
K&K Play structure

Order:

1292923

Location:

Building Project:

2 x SFWZ0000012 Lubricating metal (30g box) incl. brush



per SC	Total	K&K-Item	Marking
1 x	2 x	5300039	Lubricating metal box à 30g
1 x	2 x	5200026	Brush for lubricating metal