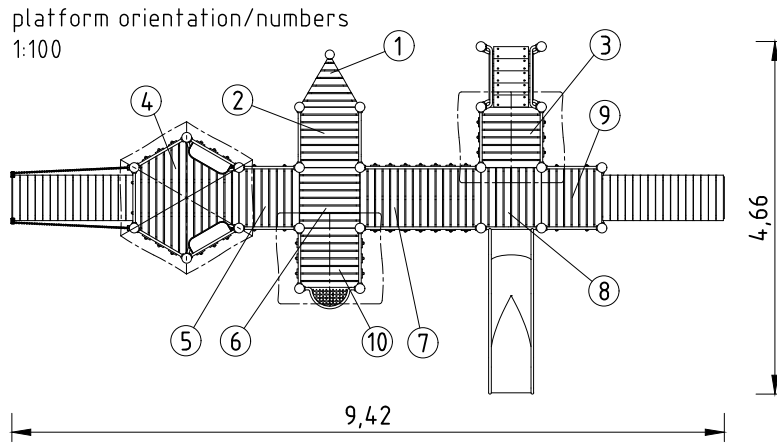


Installation instructions

1. Assign a device location considering the space requirements (impact area).
Slide direction recommended: north-east or in half-shade of trees.
2. Excavate soil for foundations, according to drawing.
Please note: To achieve maximum stability and a safe installation, a moderate level of soil solubility is required.
3. Pour in a drain layer of gravel of approx. 10 cm thickness between the bottom of the posts and plain base of foundation.
4. Insert reinforcing steel into the corresponding holes of the posts.
5. Place posts type A according to the corresponding number (see foundation layout) into the respective foundation hole. Play level mark (=aluminium blind rivet) complies with the installation depth. Align every post by means of the play level mark facing into the same direction (see detail or foundation layout).
6. **For installation of the pre-assembled components and/or single parts, the screws slightly have to be lubricated with installation paste!**
Screw together platforms and posts by using the respective hole in the mounting brackets (according to "**chart for platform fastenings**").
Tighten all screws after having aligned all components.
Install the slide exit with an inclination of 5° in sliding direction so that rain water can drain off.
Screw connections see details in attached list.
7. Grout foundations with compressed concrete C20/25, chamfer and round off the edges, cover the foundations with a surface which meets the requirements for impact attenuation so that the critical fall height of the surfacing is equal to, or greater than, the free height of fall of the equipment (acc. to EN 1176-1). The run-out section fall zone must have surfacing with a critical fall height of at least 1000mm (acc. to EN 1176-3).
8. Release for play after concrete foundations have set.
9. According to maintenance instructions, check all screw connections after 4-5 weeks and retighten, if necessary.

Please ensure that all special tools supplied (e.g. Allen key for secured Allen screws etc.) and all specific documents which are or may be useful for safety management acc. to EN 1176-7 (e.g. invoice, delivery note, order acknowledgement, installation instructions, maintenance instructions) are forwarded to the persons responsible.

Necessarily insert all attachment parts before tightening the screws. It is NOT possible to insert them afterwards.



platform fastening
1:10

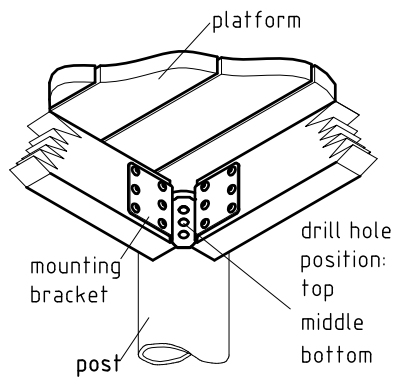
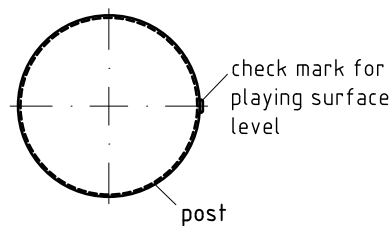


chart for platform fastenings

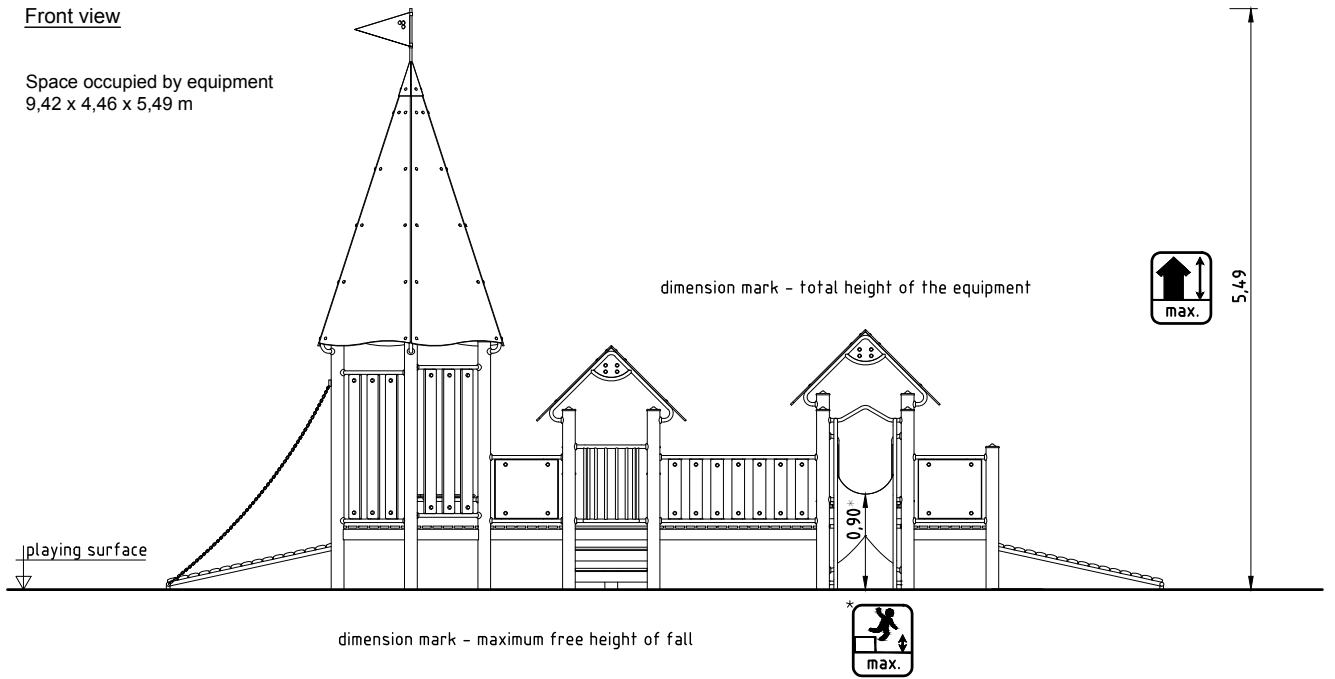
No.	height	drill hole position in mounting bracket		
		top	middle	bottom
①	0,20		x	
②	0,40		x	
③	0,80		x	
④	0,60	x		
⑤	0,60		x	
⑥	0,60	x		
⑦	0,60		x	
⑧	0,80	x		
⑨	0,60		x	
⑩	0,60		x	

detail of check mark
1:5

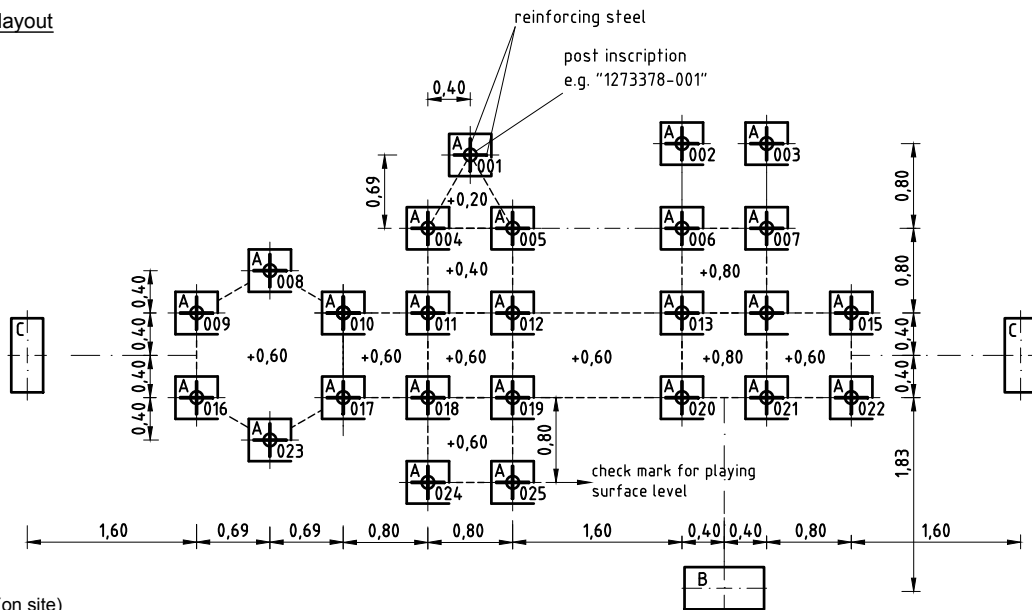


Front view

Space occupied by equipment
9,42 x 4,46 x 5,49 m



Foundation layout



Foundations (on site)
25x 0,40 x 0,40 x 0,40 m
1x 0,40 x 0,75 x 0,40 m
2x 0,30 x 0,70 x 0,40

(approximate) concrete needs
1,8 m³

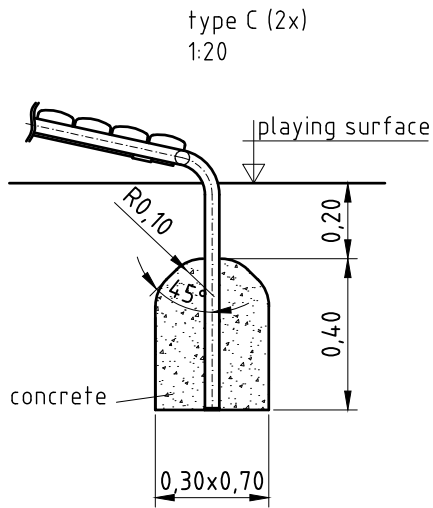
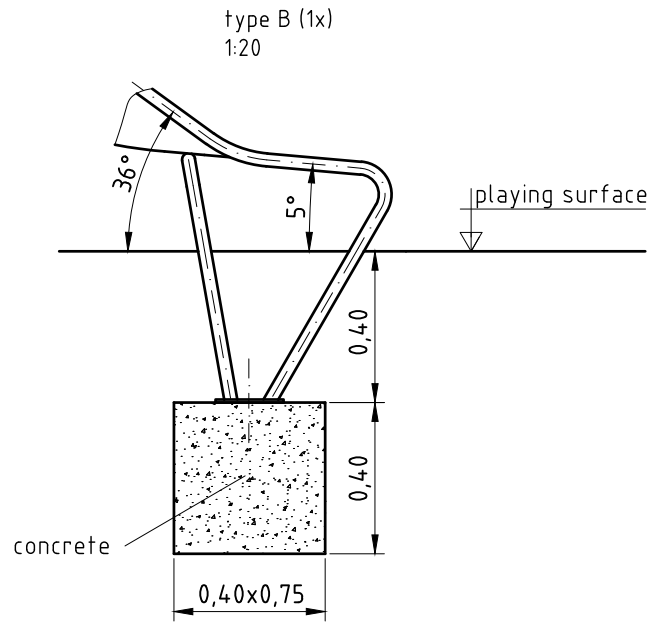
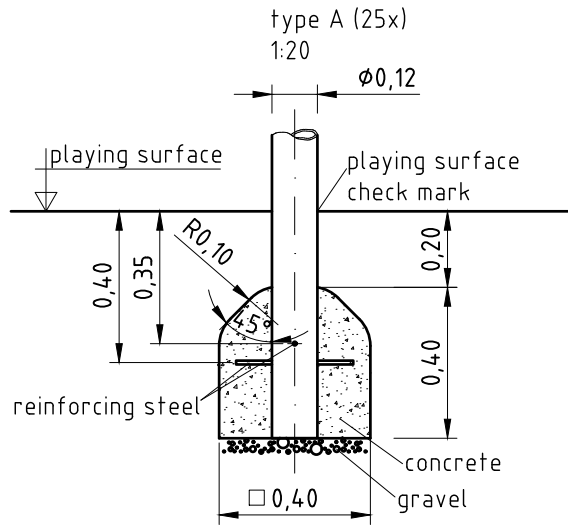
Please note:

Due to the format size, this installation is not to scale (apart from single details).

Please refer to the dimensions indicated.

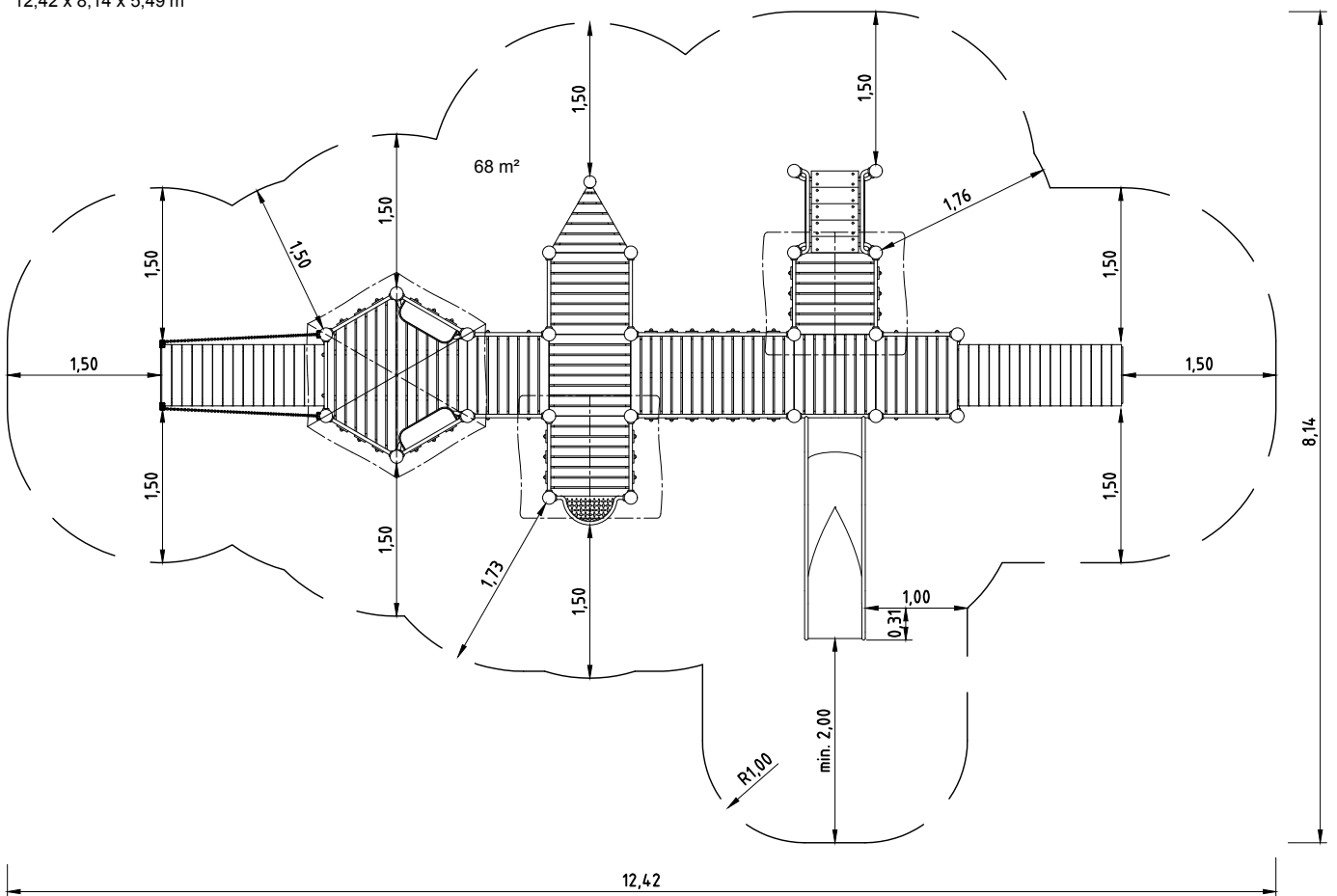
An installation documentation scale 1:50 can be submitted on request.

Foundation details



Top view & impact area

Minimum space
12,42 x 8,14 x 5,49 m

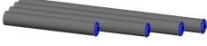



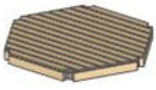




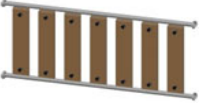

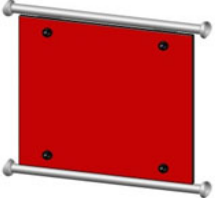


Please note:


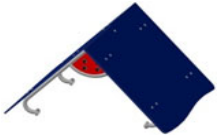

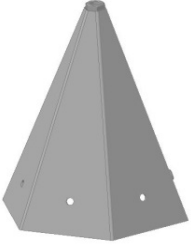
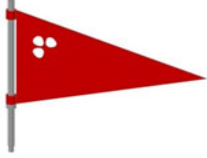

Due to the format size, this installation is not to scale (apart from single details).




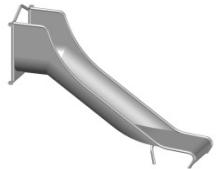
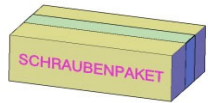
Please refer to the dimensions indicated.

An installation documentation scale 1:50 can be submitted on request.

<u>parts list</u>		021212503	GB
item no.	quantity	description	image
1273378	1	set of 25 stainless steel posts with stainless steel post cap / blue RAL 5015	
1200004	1	triangular platform 3 x 0,80 m	
1200000	7	square platform 0,80 m x 0,80 m	
1200001	1	rectangular platform 0,80 m x 1,60 m	
1200006	1	hexagonal platform 6 x 0,80	
1210362	2	stepped handrail 0,80 m x 0,20 m	

<u>parts list</u>			021212503	GB
item no.	quantity	description	image	
1210014	4	timber infill barrier 0,80 m x 1,40 m		
1210034	2	timber infill barrier 1,60 m x 0,60 m		
1210011	4	timber infill barrier, 0,80 m x 0,80 m		
1210000	4	infill panel 0,80 m x 0,60 m / red HPL		
1210041	1	red infill panel 0,80 x 0,30 m with bent tube		
1230055	1	stairs 0,80 m platform height 0,80 m		

<u>parts list</u>			021212503	GB
item no.	quantity	description	image	
1230108	1	pair of stainless steel infill barriers for stairs		
1240073	2	gable roof 45° / 0,80 m x 0,80 m / blue HPL		
1240078	1	tower-shaped roof 72° / 6 x 0,80m / royal blue HPL		
6240031	1	hood for tower roof 72° with flag receptacle		
1240081	1	straight red flag/RAL 2002 incl. flag pole		
1220006	1	balcony parapet 0,80 x 0,70 m		

<u>parts list</u>			021212503	GB
item no.	quantity	description	image	
1220012	2	seat plate type1 / 0,80 m / red HPL		
1230016	2	inclined ramp 0,80 m x 1,60 m x 0,40 m		
6230129	2	pair of chains for a drawbridge		
041409001	1	K&K Trough-shaped attachment slide (0,80)		
1293221	1	fastening kit for 021212503		

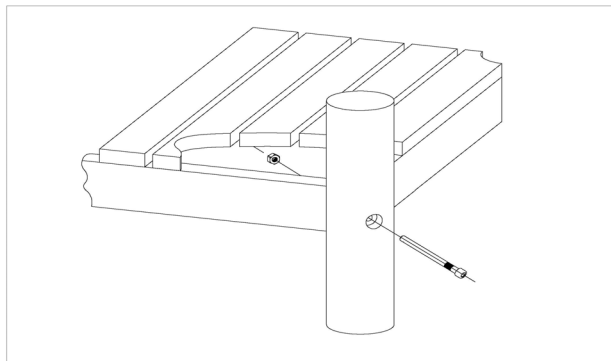
Item: **021212503**
 K&K Play structure
 Location:

Order:

1293221

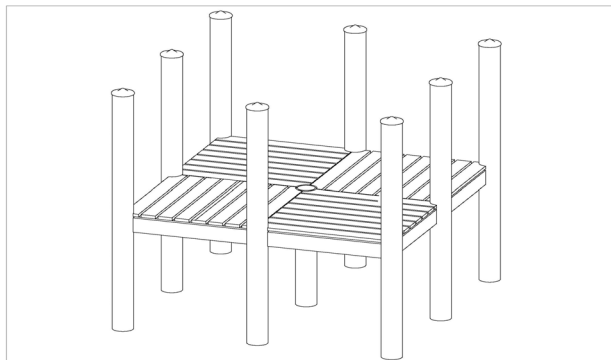
Building Project:

37 x SFES1200001 Platform fastening to stainless steel post, nut on the side of the platform



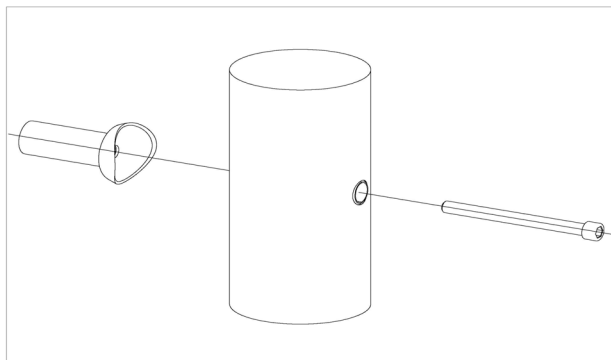
per SC	Total	K&K-Item	Marking
1 x	37 x	3430021	Lock nut M12 DIN985 A2
1 x	37 x	2030651	Cheese head screw with pin M12 x 125

2 x SFES1200002 2 platforms arranged across in equal height at stainless steel posts



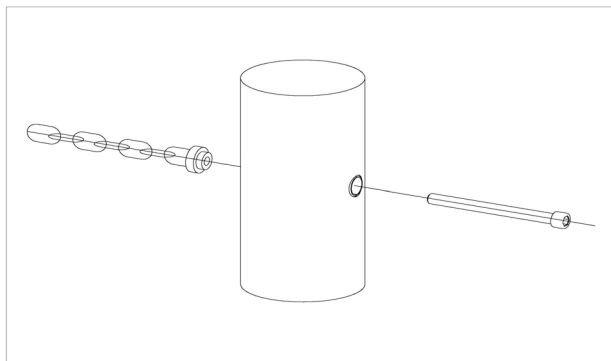
per SC	Total	K&K-Item	Marking
1 x	2 x	3430021	Lock nut M12 DIN985 A2
1 x	2 x	3430025	Washer Ø 13 DIN125 A2
1 x	2 x	2030249	Cheese head screw M12 x 150 with pin

106 x SFES1210001 Standard bolting of attachment parts (except platforms) to stainless steel posts



per SC	Total	K&K-Item	Marking
1 x	106 x	2030168	Cheese head screw with pin M12x140

2 x SFES1230001 End link of a chain at a stainless steel post (with internal thread)



per SC	Total	K&K-Item	Marking
1 x	2 x	2030246	Cheese head screw M12 x 110 with pin

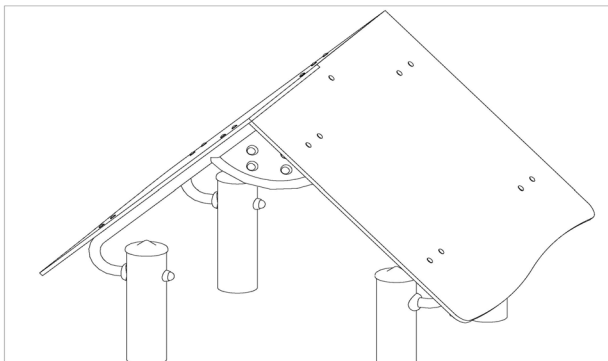
Item: **021212503**
 K&K Play structure
 Location:

Order:

1293221

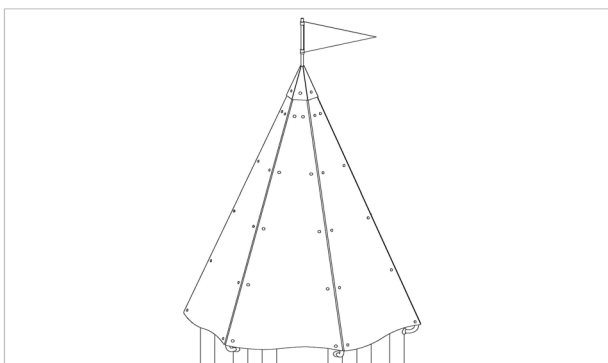
Building Project:

2 x SFAS1240003 Gable roof 0,80 m x 0,80 m
HPL plates at retaining pipes and bracket mounted inside



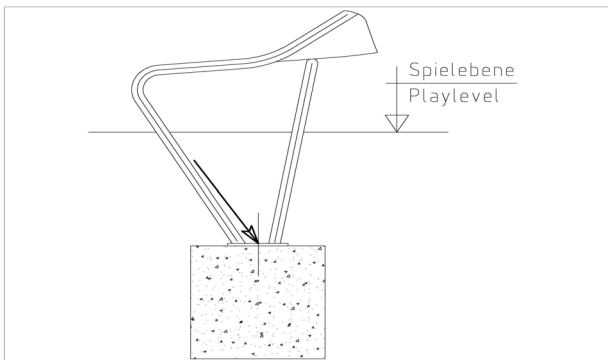
per SC	Total	K&K-Item	Marking
18 x	36 x	3430014	Washer Ø 10,5 DIN125 form B A2
1 x	2 x	6240001	Corner plate for gable roof 90°
18 x	36 x	3430011	Hexagon cap nut M10 DIN986 A2
18 x	36 x	3400138	mushroom head screw square neck M10x30 DIN 60

1 x SFAS1240012 Fastening of HPL panels with rounded edges
to steel frame of tower-shaped roof 72°



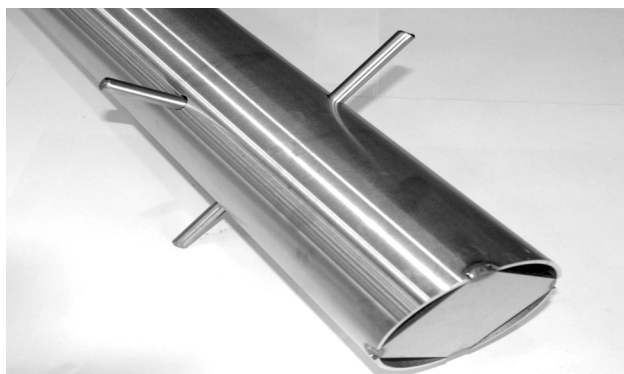
per SC	Total	K&K-Item	Marking
60 x	60 x	3430011	Hexagon cap nut M10 DIN986 A2
60 x	60 x	3430014	Washer Ø 10,5 DIN125 form B A2
6 x	6 x	3400195	Dome head security screw-M10x30-Resistorx T45 A
6 x	6 x	3430086	Washer Ø 10,5 DIN9021 A2
60 x	60 x	3400138	mushroom head screw square neck M10x30 DIN 60

1 x SFAS1070006 Slide run-out section (up to 2,00 m) on foundation
stone bolt assembly



per SC	Total	K&K-Item	Marking
2 x	2 x	1070365	Set of stone bolts for slide run-out section M12x160

25 x SFES1270001 Reinforcing steel for stainless steel posts



per SC	Total	K&K-Item	Marking
2 x	50 x	2130000	Reinforcing steel Ø 10 x 310 DIN 488

Item: **021212503**
K&K Play structure

Order:

1293221

Location:

Building Project:

1 x SFWZ000001 Security TORX wrench TR40

per SC	Total	K&K-Item	Marking
1 x	1 x	3490081	Security TORX wrench TR40



1 x SFWZ000009 Hexagon insert socket driver 10mm 1/2" with borehole for Pin

per SC	Total	K&K-Item	Marking
1 x	1 x	2030170	Hexagon insert socket driver 10 mm 1/2" with drill hole for Pin



4 x SFWZ000012 Lubricating metal (30g box) incl. brush

per SC	Total	K&K-Item	Marking
1 x	4 x	5300039	Lubricating metal box 30g
1 x	4 x	5200026	Brush for lubricating metal

