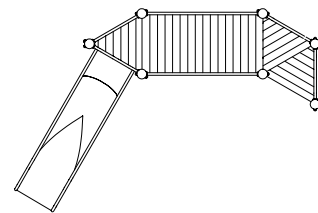


1. Assign location of equipment considering the space requirement. Recommended direction of slide: north-east or in half-shade of trees.
2. Excavate soil for foundations, according to drawing. Please note: To achieve a maximum of stability and a safe installation a medium weight solubility of soil is required.
3. Build in layer of gravel, approx. 10 cm thick, as a drainage between bottom side of steel post and bottom of foundation.
4. Put posts according to post number (e.g. 1270204 001) into their respective holes of foundations. Play level mark (blind rivet), conforms to the mounting depth of post. Fix reinforcing steel and align posts with the help of play level mark, according to detail drawing respectively installation plan. For installation all play level marks have to face in the same direction.
5. **Attention! For installation of the pre-assembled components resp. single parts the screws have to be lubricated with installation paste!**
Screw up platform and post by using the middle fastening hole of the fastening angle.
Tighten all screws after having aligned all components.
The exit of slide chute has to be installed with an inclination of 5° in sliding direction.
Screw connections see detail on list of screw cases as annexed.
6. Grout in foundations with compressed concrete C20/25, chamfer the edges and cover with soil material so that the critical height of the surfacing shall be equal or greater than the free height of fall of the equipment (acc. to EN 1176 - 1).
7. Release for play after concrete foundations have set.
8. Check all screw connections acc. to maintenance instructions after 4-5 weeks and screw down again if necessary.

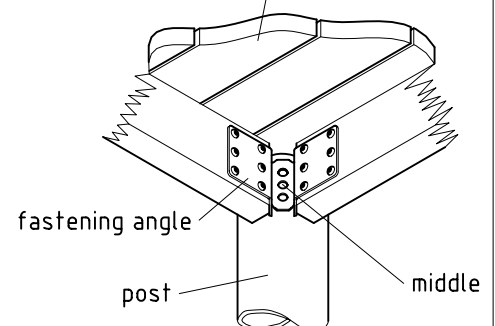
Please take care that all special tools (e.g. special Allen key for secured Allen screws etc.) and all specific documents which are or may be useful for safety management acc. to EN 1176-7 (e.g. invoice, delivery note, order acknowledgement, installation instructions, maintenance instructions) are forwarded to the responsible persons.

Please insert all additional units (platforms, infills etc.) before screws are tightened. It is not possible to insert them after some or all screws have already been tightened!

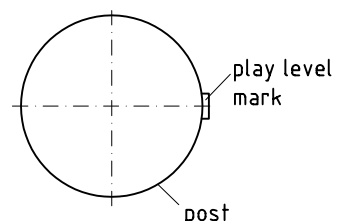
platform direction
scale 1:100

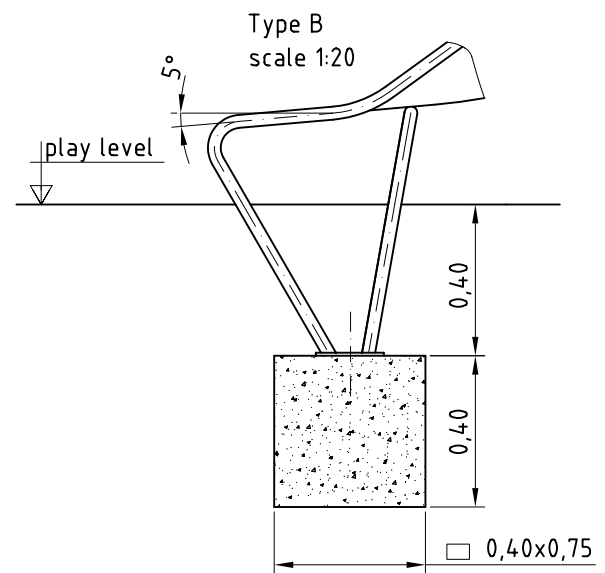
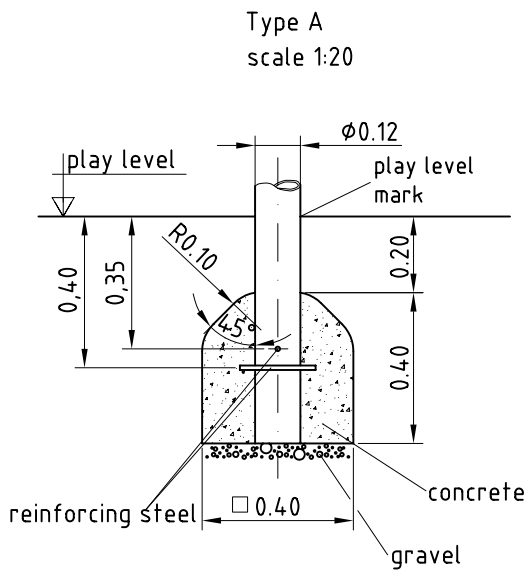
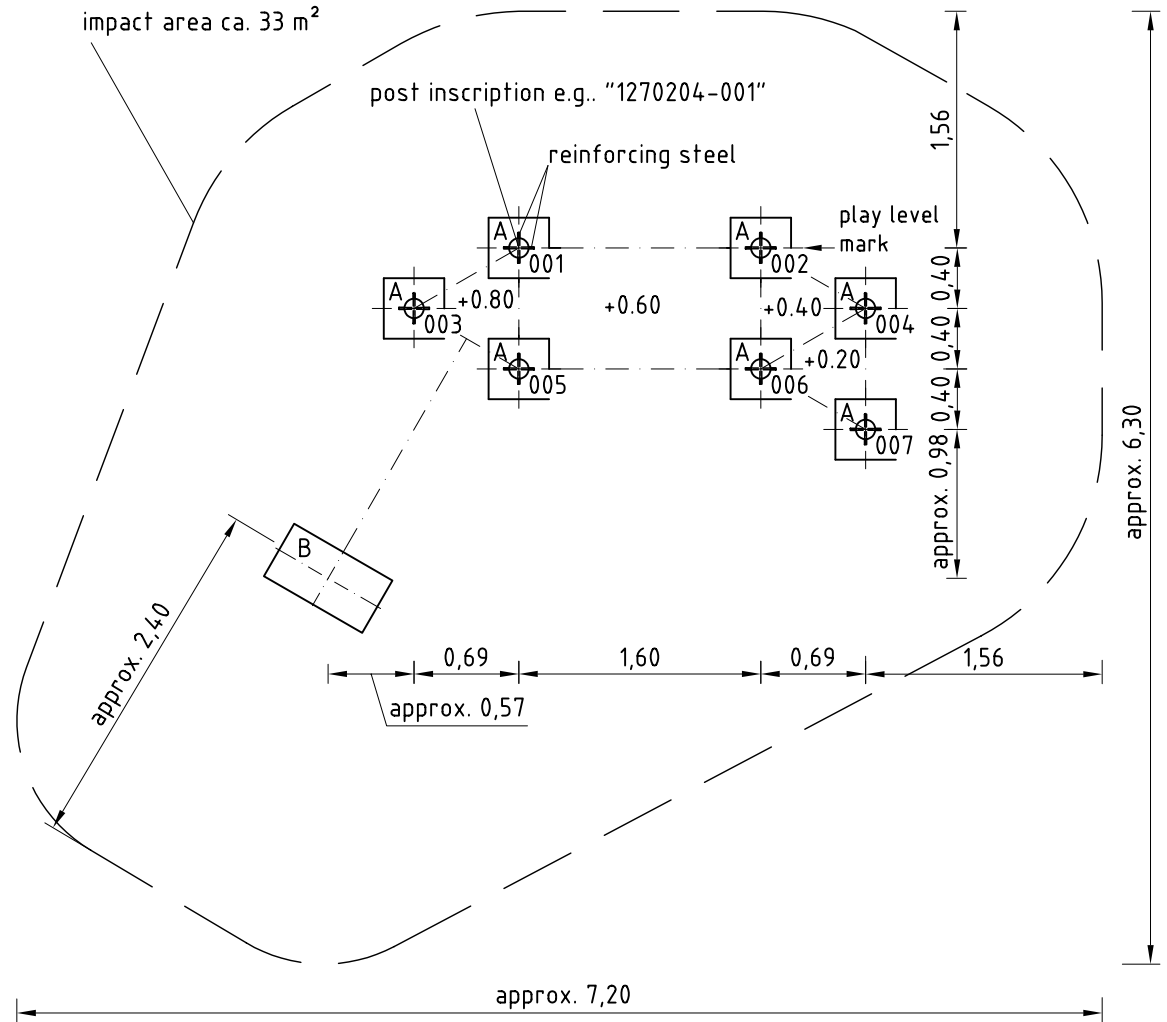
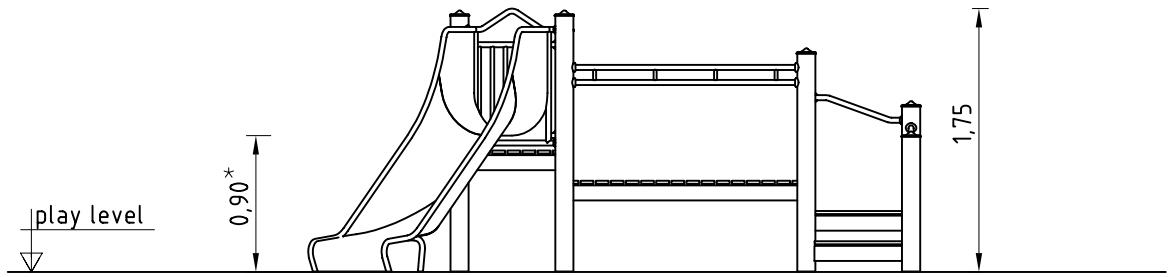


platform fastening
scale 1:10



play level mark
scale 1:5





Item: **0-21114-501**

Order:

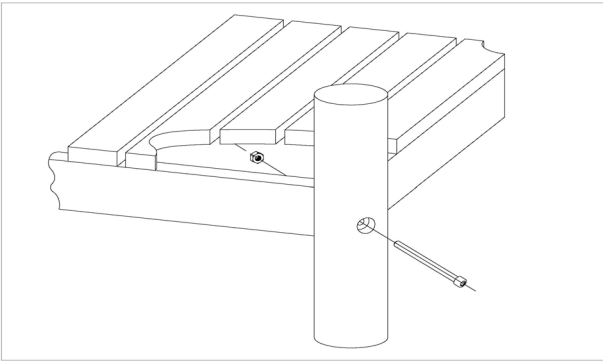
1291877

K&K Platform combination

Location:

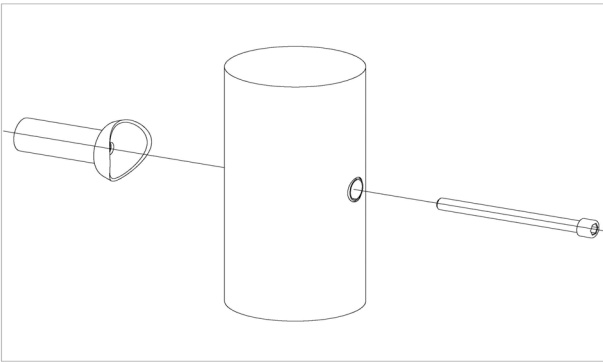
Building Project:

13 x SFES1200001 Fixing of platform at stainless steel post nut on platform site



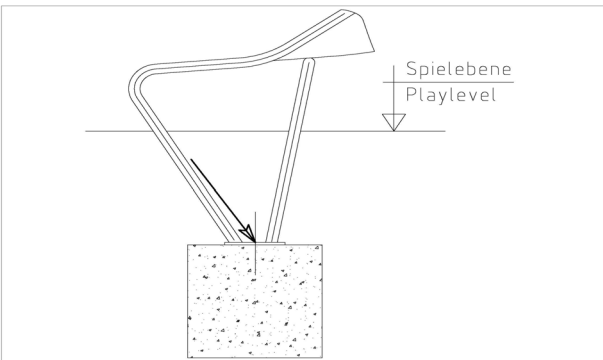
per SC	Total	K&K-Item	Marking
1 x	13 x	3430021	Safety nut M12 DIN985 A2
1 x	13 x	2030169	Cheese head screw M12 x 130 with pin intended to connect ES120-platform at support post

20 x SFES1210001 Standard bolting of add-on pieces intended to connect ES120-add-on pieces (except platforms) at support post



per SC	Total	K&K-Item	Marking
1 x	20 x	2030168	Cheese head screw M12x140 with pin Intended to connect ES120-add-on pieces (except platforms) at support post

1 x SFAS1070006 Slide-run-out-section (up to 2.00 m) on foundation



per SC	Total	K&K-Item	Marking
2 x	2 x	1070365	Stonescrew set for slide-runout M12 x 160

7 x SFES1270001 Reinforcing steel for stainless steel post



per SC	Total	K&K-Item	Marking
2 x	14 x	2030199	Reinforcing steel ES120 Ø 12 x 250 1.4301

Item: **0-21114-501**

Order:

1291877

K&K Platform combination

Location:

Building Project:

1 x SFWZ000009 Hexagon insert socket driver 10mm 1/2" with borehole for Pin



per SC	Total	K&K-Item	Marking
1 x	1 x	2030170	Hexagon insert socket driver 10 mm 1/2" with drill hole for Pin

1 x SFWZ000012 Lubricating metal (30g box) incl. brush



per SC	Total	K&K-Item	Marking
1 x	1 x	5300039	Lubricating metal box à 30g
1 x	1 x	5200026	Brush for lubricating metall