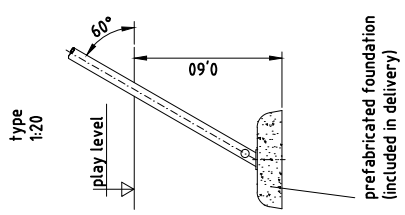
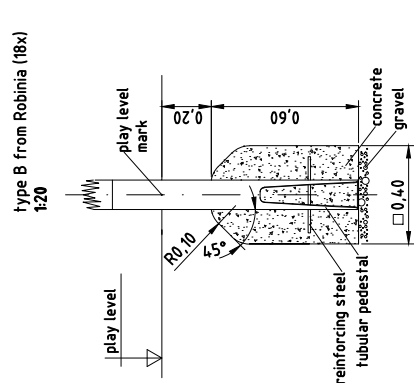
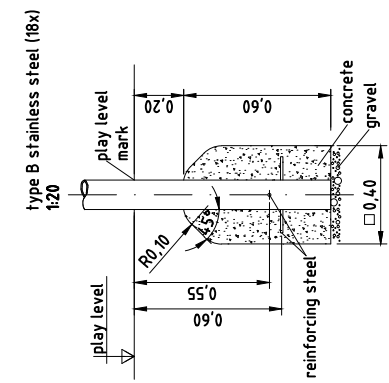
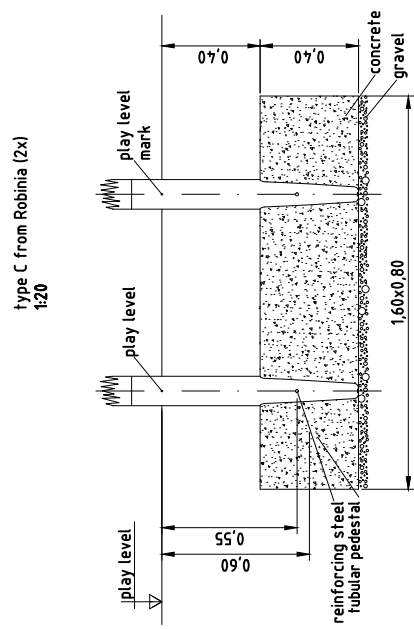
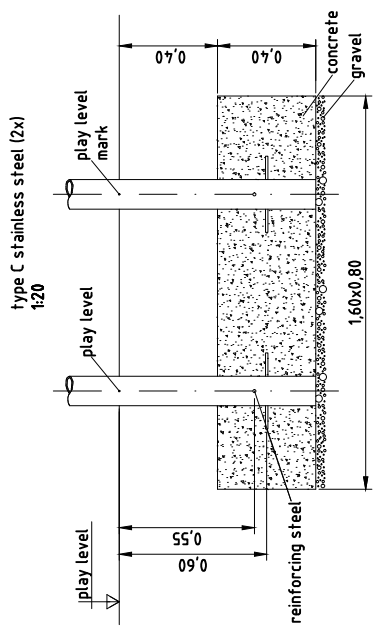
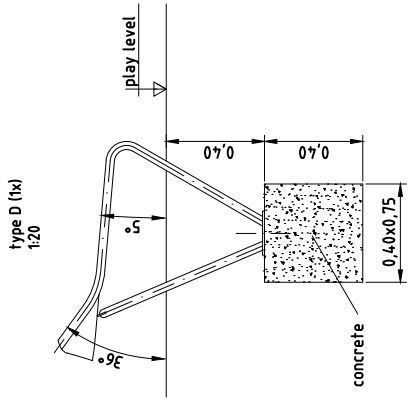
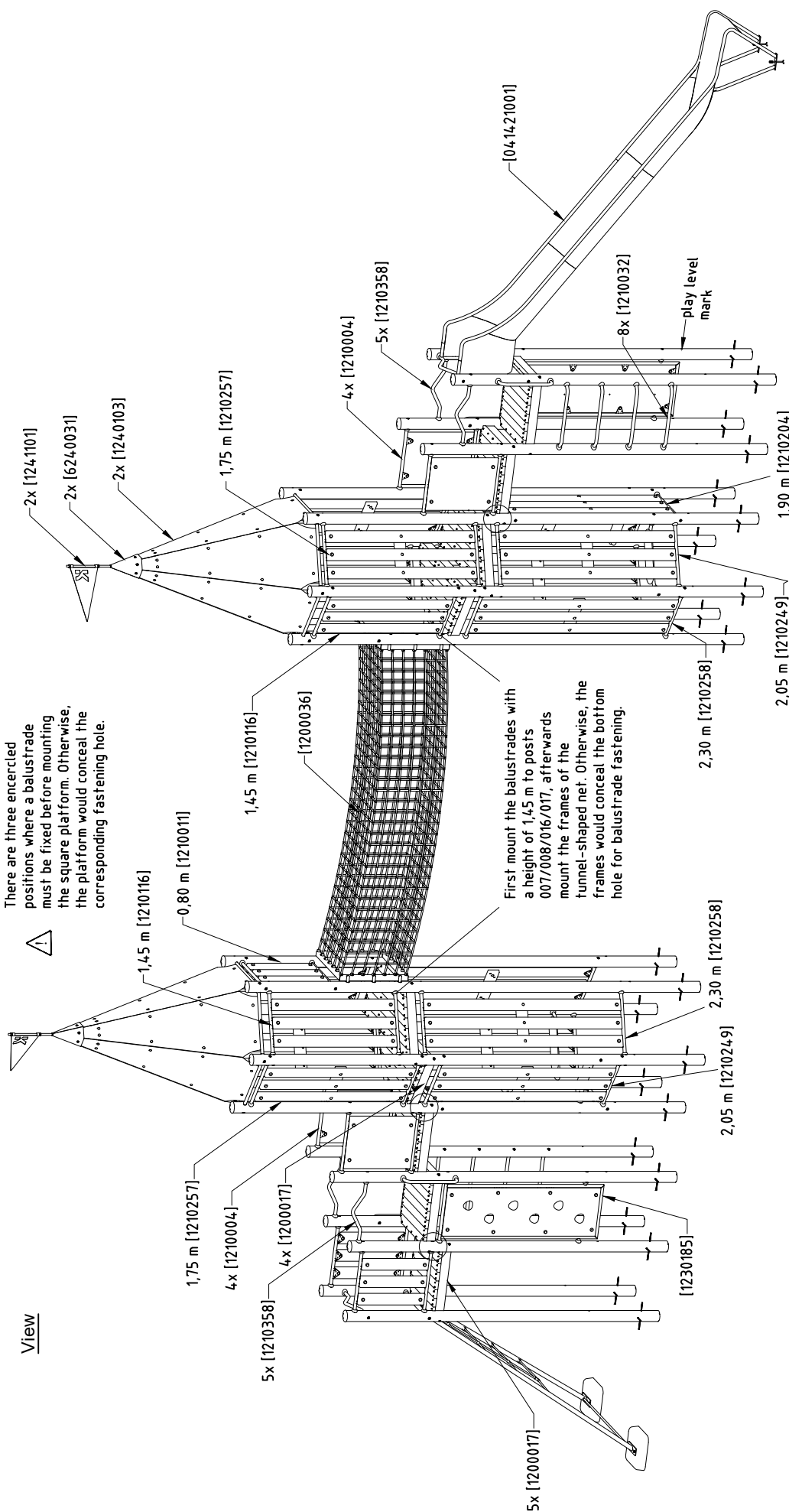


Please note:

Due to the format size, this installation is not to scale (apart from single details).
Please refer to the dimensions indicated.
An installation documentation scale 1:50 can be submitted on request.



foundations (on site)
 18x 0,40 x 0,40 x 0,60 m
 2x 1,60 x 0,80 x 0,40 m
 1x 0,40 x 0,75 x 0,40 m
 (approximate) concrete needs
 3 m³



Installation

Installation instructions

1. Assign a device location considering the space requirement (impact area).
Due to a possible sliding surface heating, please see to a north-east orientation (northern hemisphere) of the slides or provide half-shade of trees.
For countries in the southern hemisphere, see to a south-east orientation.
2. Excavate soil for foundations, according to drawing.
Please note: To achieve maximum stability and a safe installation, a moderate level of soil solubility is required.
3. Pour in a drain layer of gravel of approx. 10 cm thickness between the bottom of the posts and plain base of foundation.
4. Insert reinforcing steel into the corresponding holes of the posts.
5. Place posts according to the corresponding number (see foundation layout) into the respective foundation hole. Play level mark (=aluminium blind rivet) complies with the installation depth. Align every post by means of the play level mark facing into the same direction (see detail or foundation layout).
6. **For installation of the pre-assembled components and/or single parts, the screws slightly have to be lubricated with installation paste!**
Screw together platforms and posts by using the respective hole in the mounting brackets (according to "chart for platform fastening").
Tighten all screws after having aligned all components.
Install the slide exit with the given inclination in sliding direction so that rain water can drain off (see foundation detail).
Screw connections see details in attached list.
7. Grout foundations with compressed concrete C20/25, chamfer and round off the edges, cover the foundations with a surface which meets the requirement for impact attenuation so that the critical fall height of the surfacing is equal to, or greater than, the free height of fall of the equipment (acc. to EN 1176-1). The run-out section fall zone must have surfacing with a critical fall height of at least 1000mm (acc. to EN 1176-3).
8. Release for play after concrete foundations have set.
9. According to maintenance instructions, check all screw connections after 4-5 weeks and retighten, if necessary.

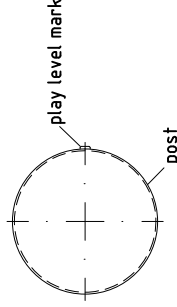
Please ensure that all special tools supplied (e.g. Allen key for secured Allen screws etc.) and all specific documents which are or may be useful for safety management acc. to EN 1176-7 (e.g. invoice, delivery note, order acknowledgement, installation instructions, maintenance instructions) are forwarded to the persons responsible.

Necessarily insert all attachment parts before tightening the screws. It is NOT possible to insert them afterwards.

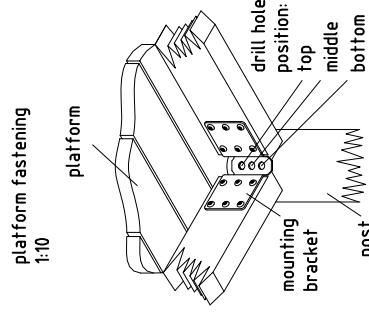
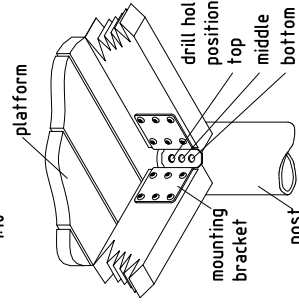
chart for platform fastenings

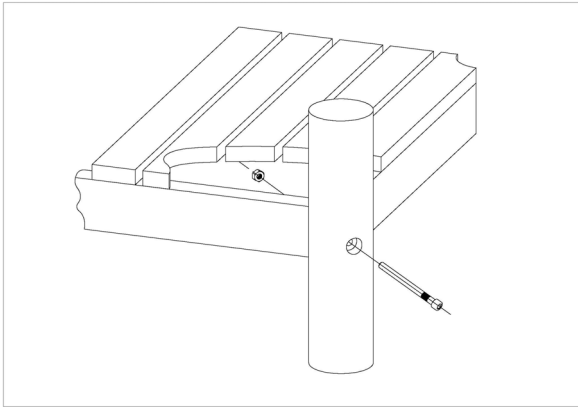
No.	height	drill hole position in mounting bracket		
		top	middle	bottom
①	1,80		x	
②	2,00	x		
③	2,20		x	
④	2,40			x
⑤	2,60			x
⑥	2,60		x	
⑦	2,40			x
⑧	2,20		x	
⑨	2,00			x

detail of play level mark
1:5



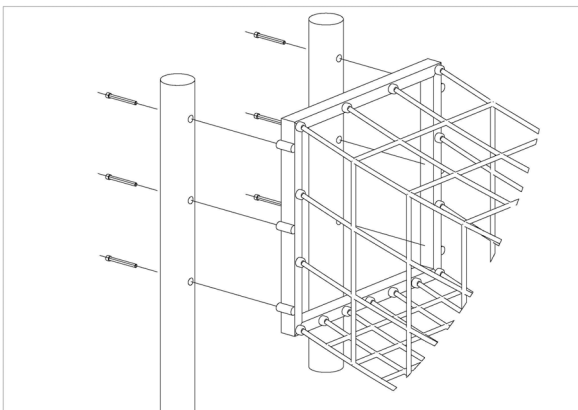
platform fastening
1:10





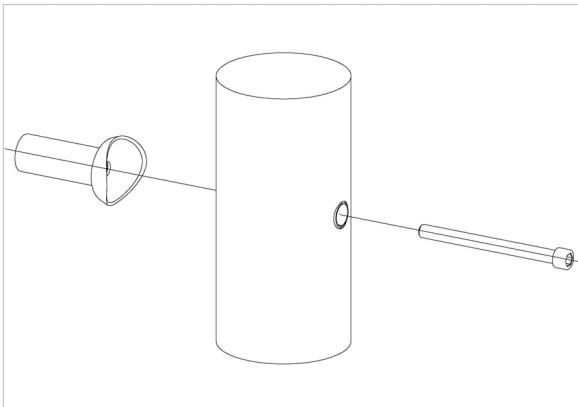
36 x SFES1200001 Platform fastening to stainless steel post, nut on the side of the platform

per set	total	item no.	material short text
1	36	3430021	Lock nut M12 DIN985 A2
1	36	2030651	Cheese head screw with pin M12 x 125



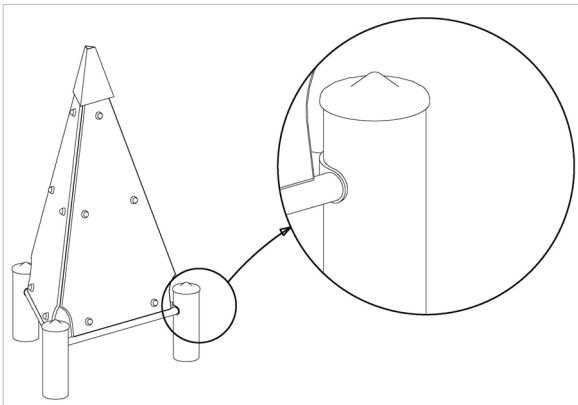
12 x SFES1200005 net tunnel frame at stainless steel posts

per set	total	item no.	material short text
1	12	2030246	Cheese head screw M12 x 110 with pin



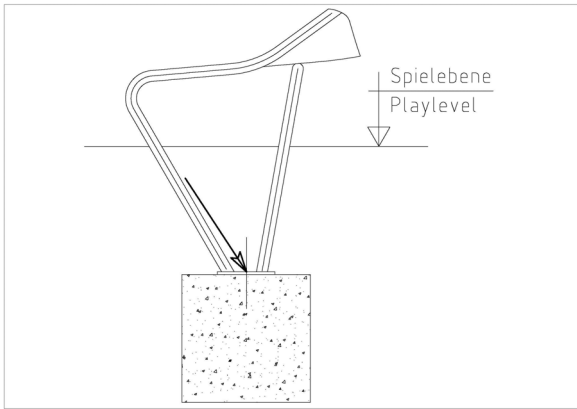
160 x SFES1210001 Standard bolting of attachment parts (except platforms) to stainless steel posts

per set	total	item no.	material short text
1	160	2030168	Cheese head screw with pin M12x140



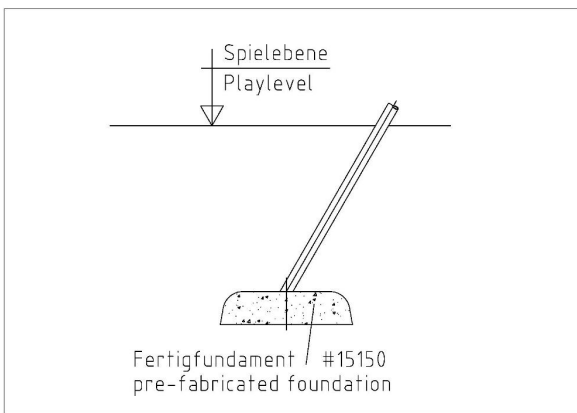
12 x SFES1240001 roof frame of spire roof 80°/72° at stainless steel posts

per set	total	item no.	material short text
1	12	2030169	Cheese head screw with pin M12 x 130
1	12	3430025	washer Ø 13 DIN125 A2
1	12	3430051	Hexagon cap nut M12 DIN 986 A2



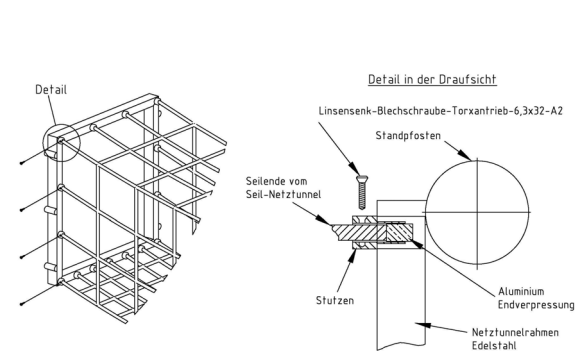
2 x SFXS1070006 Slide run-out section (up to 2,00 m) on foundation stone bolt assembly

per set	total	item no.	material short text
1	2	1070365	Set of stone bolts for slide run-out section



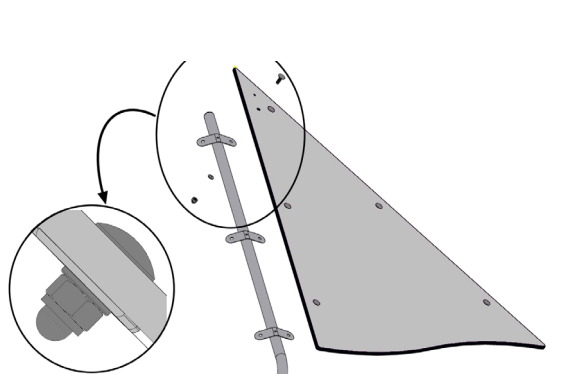
4 x SFXS1230009 Scramble up net / climbing net fastening to prefabricated foundation

per set	total	item no.	material short text
1	4	3400018	Hexagon screw M12 x 25 DIN933 A2
1	4	3430025	washer Ø 13 DIN125 A2



48 x SFAS1200005 Rope fastening to frame of spatial net exemplary illustration of wide-meshed net

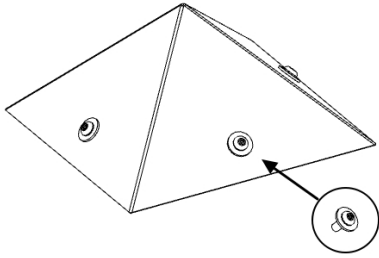
per set	total	item no.	material short text
1	48	3400515	Oval head countersunk screw Torx Ø 6,3 x 32 galv.



24 x SFAS1240029 HPL panel fastening to roof pipe support

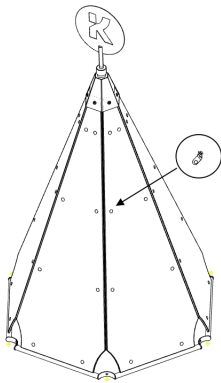
per set	total	item no.	material short text
1	24	3430011	hexagon cap nut M10 DIN986 A2
1	24	3430014	washer Ø 10,5 DIN125 form B A2
1	24	3400138	mushroom head screw square neck M10x30 DIN 603 A2

12 x SFAS1240032 Roof hood fastening on HPL panels



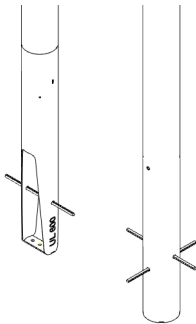
per set	total	item no.	material short text
1	12	3400673	Dome head screw M8x20 A2 Security Torx TR40
1	12	3430102	Washer Ø 8.4 DIN9021 A2

36 x SFAS1240034 HPL panel on inner face of mounting brackets 60°



per set	total	item no.	material short text
2	72	3400138	mushroom head screw square neck M10x30 DIN 603 A2
2	72	3430014	washer Ø 10,5 DIN125 form B A2
2	72	3430011	hexagon cap nut M10 DIN986 A2
1	36	6240034	Strap for tent roof 4 x 45° / 60° edged

44 x SFAS1270001 reinforcing steel bar for posts



per set	total	item no.	material short text
1	44	2130000	reinforcing steel Ø 10 x 310 DIN 488

1 x SFWZ000009 Hexagon insert socket driver 10mm 1/2"
with borehole for Pin



per set	total	item no.	material short text
1	1	2030170	Hexagon insert socket driver 10 mm 1/2"

1 x SFWZ0000010 Security bit TORX PLUS IPR 30 x 25

per set	total	item no.	material short text
1	1	3490038	Security bit TORX PLUS IPR 30 x 25



1 x SFWZ0000001 Security TORX wrench TR40

per set	total	item no.	material short text
1	1	3490081	Allen key security TORX TR40



2 x SFWZ0000012 lubricating metal (30 g box) incl. brush

per set	total	item no.	material short text
1	2	5200026	brush for lubricating metal
1	2	5300039	lubricating metal box 30g

