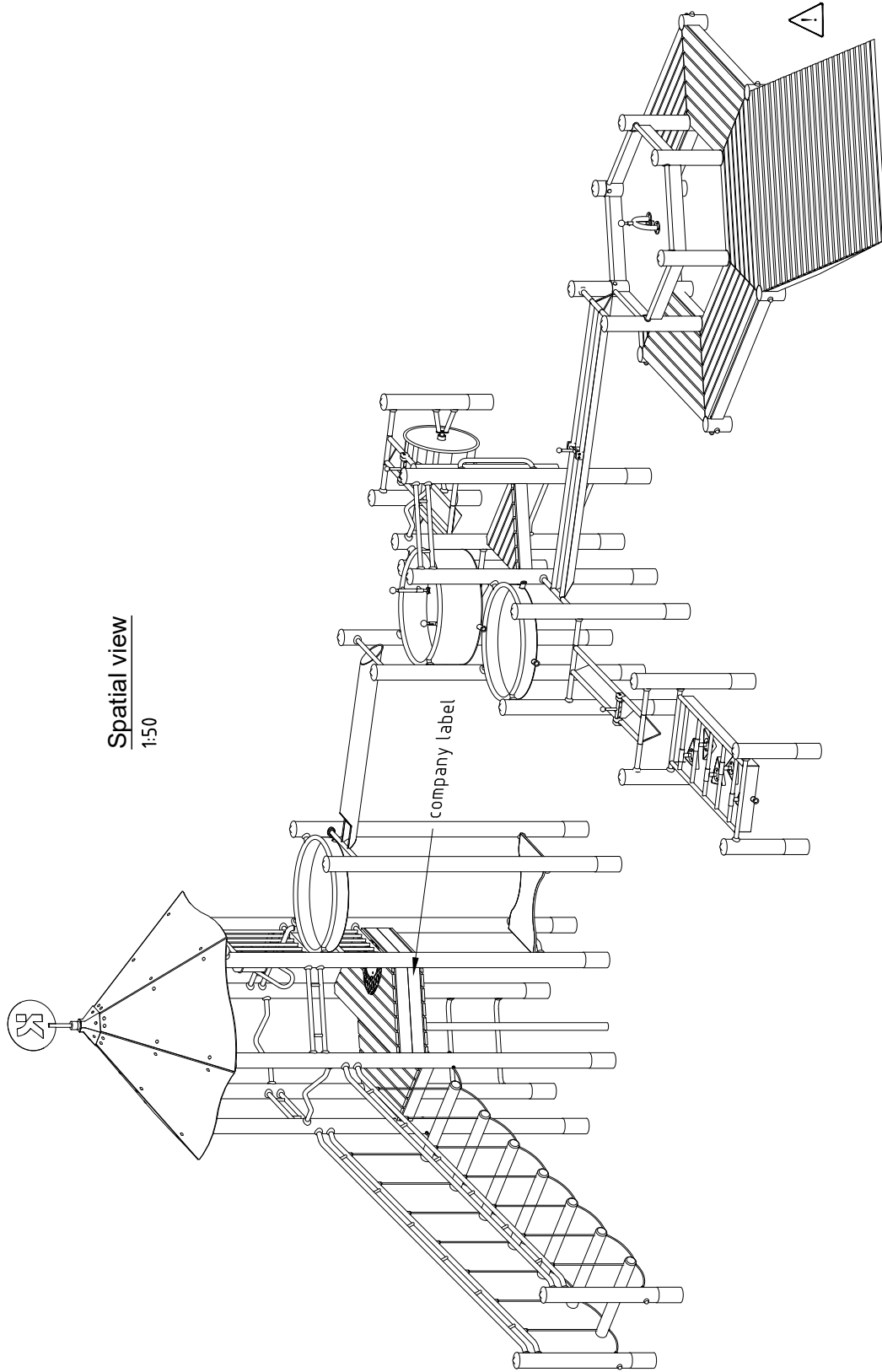
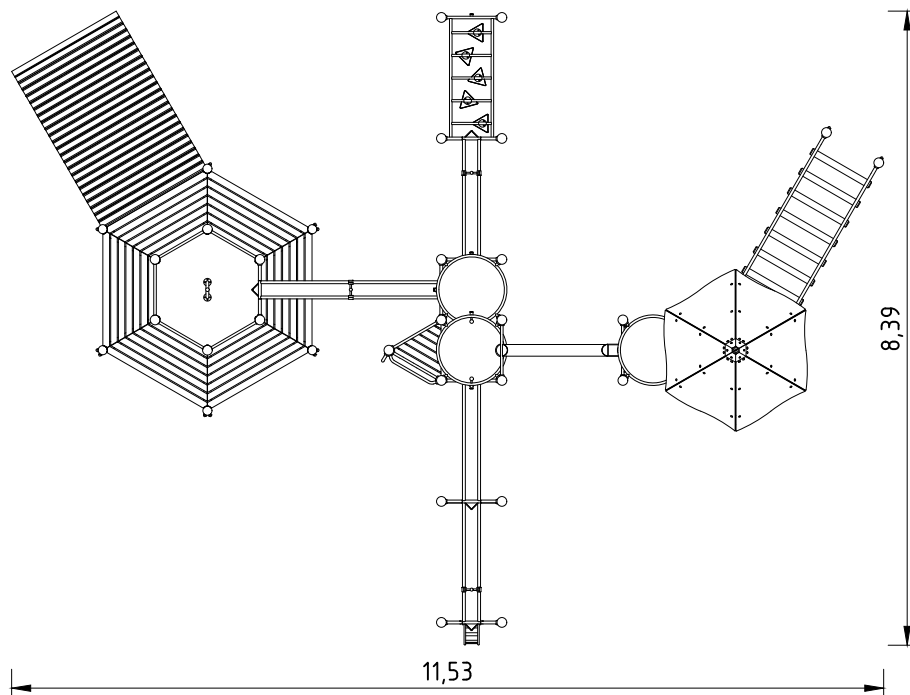


Spatial view  
1:50



The ramp/platform no. 1 will cover the fastening holes of the adjacent trapezoid platforms. It must therefore be mounted at last. The screws in question are already fixed to the respective posts.

platform orientation  
1:100



### Installation instructions

1. Assign a device location considering the space requirement (impact area).
2. Excavate soil for foundations, according to drawing.  
Please note: To achieve maximum stability and a safe installation, a moderate level of soil solubility is required.
3. Pour in a drain layer of gravel of approx. 10 cm thickness between the bottom of the posts and plain base of foundation.
4. Insert reinforcing steel into the corresponding holes of the posts.
5. Place posts type A/typ B according to the corresponding number (see foundation layout) into the respective foundation hole. Play level mark (=aluminium blind rivet) complies with the installation depth. Align every post by means of the play level mark (see detail or foundation layout).
6. **For installation of the pre-assembled components and/or single parts, the screws slightly have to be lubricated with installation paste!**  
Screw together platforms and posts by using the respective hole in the mounting brackets (according to "**chart for platform fastening**").  
**Tighten all screws after having aligned all components.**  
Screw connections see details in attached list.  
We recommend not to insert the protection caps enclosed before first maintenance as they are only suitable for one-time use (see description below).
7. Grout foundations with compressed concrete C20/25, chamfer and round off the edges, cover the foundations with a surface which meets the requirement for impact attenuation so that its critical fall height is equal to or greater than the maximum free height of fall of the equipment (acc. to EN 1176-1).
8. Release for play after concrete foundations have set.
9. According to maintenance instructions, check all screw connections after 4-5 weeks and retighten, if necessary. Afterwards cover the screw heads with protection caps as follows: Insert grey protection caps into the countersunk drills (e.g. for platforms). The non-countersunk drills (e.g. for railings or a slide) have to be covered with the protection caps by placing them onto the base part. Strongly pound them (e.g. by using a plastic mallet) until they audibly snap into the base part groove.

Please ensure that all special tools supplied (e.g. Allen key for secured Allen screws etc.) and all specific documents which are or may be useful for safety management acc. to EN 1176-7 (e.g. invoice, delivery note, order acknowledgement, installation instructions, maintenance instructions) are forwarded to the persons responsible.

**Necessarily insert all attachment parts before tightening the screws. It is NOT possible to insert them afterwards.**

Front view  
1:50

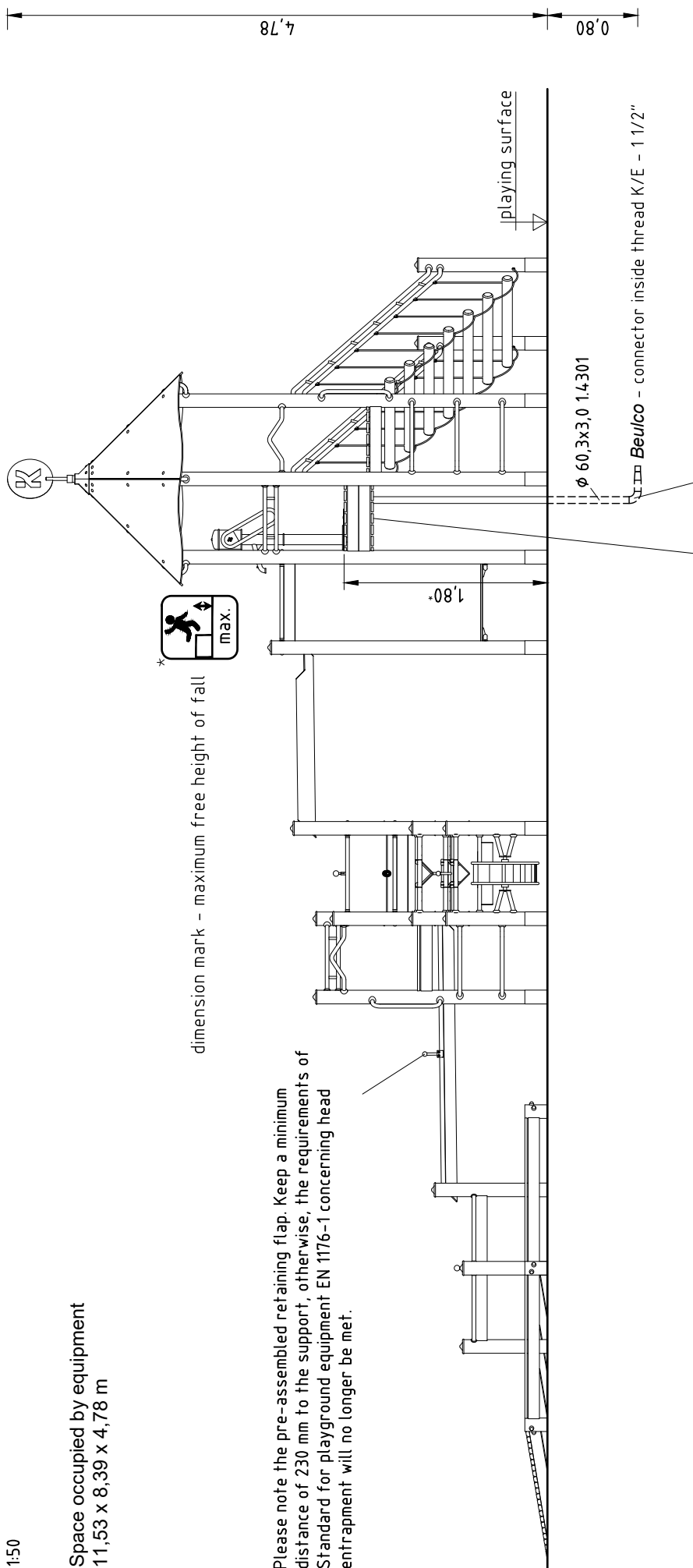
Space occupied by equipment  
11,53 x 8,39 x 4,78 m

dimension mark - total height of the equipment

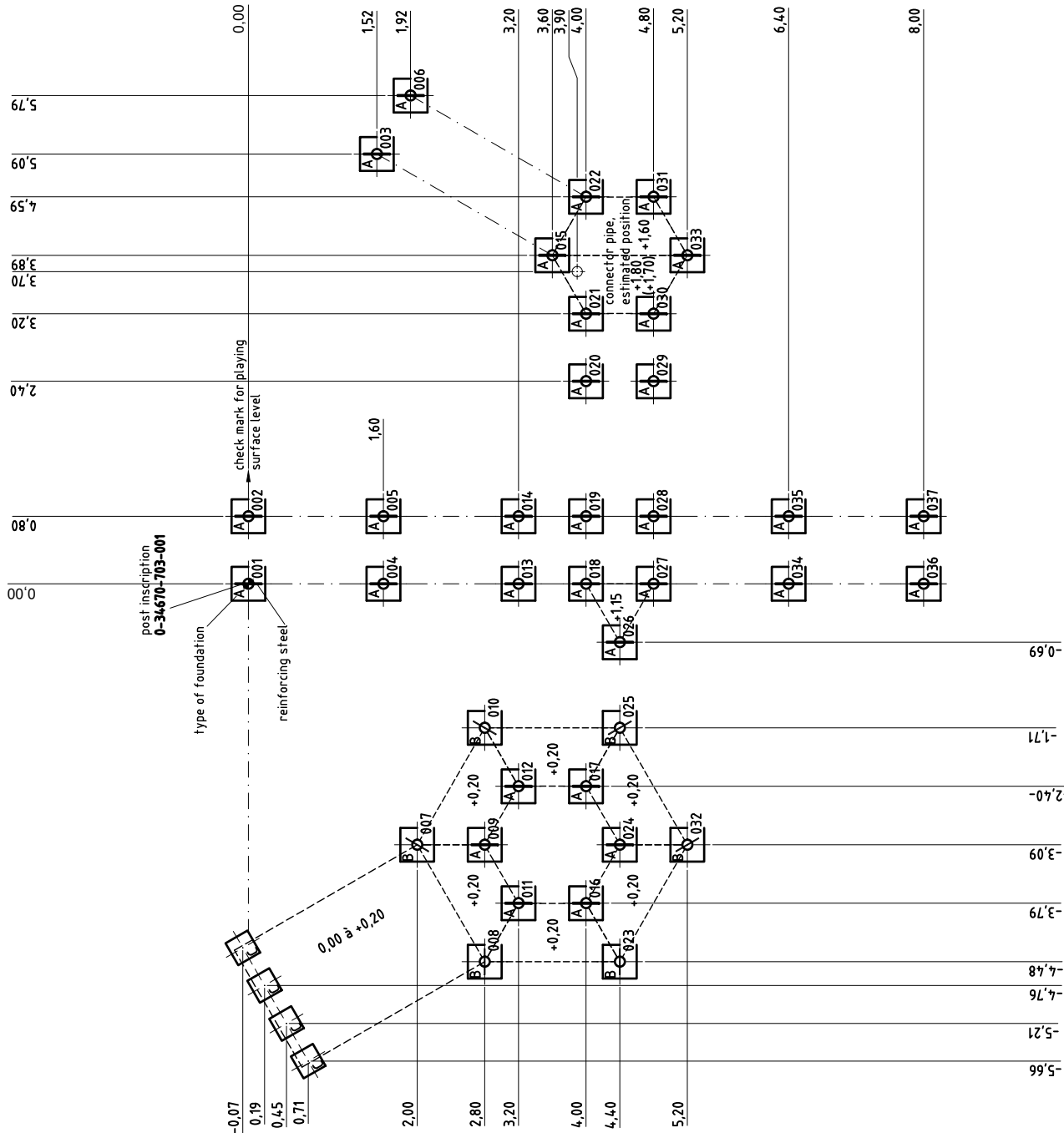


dimension mark - maximum free height of fall

Please note the pre-assembled retaining flap. Keep a minimum distance of 230 mm to the support, otherwise, the requirements of Standard for playground equipment EN 1176-1 concerning head entrapment will no longer be met.



Foundation layout



Please note:

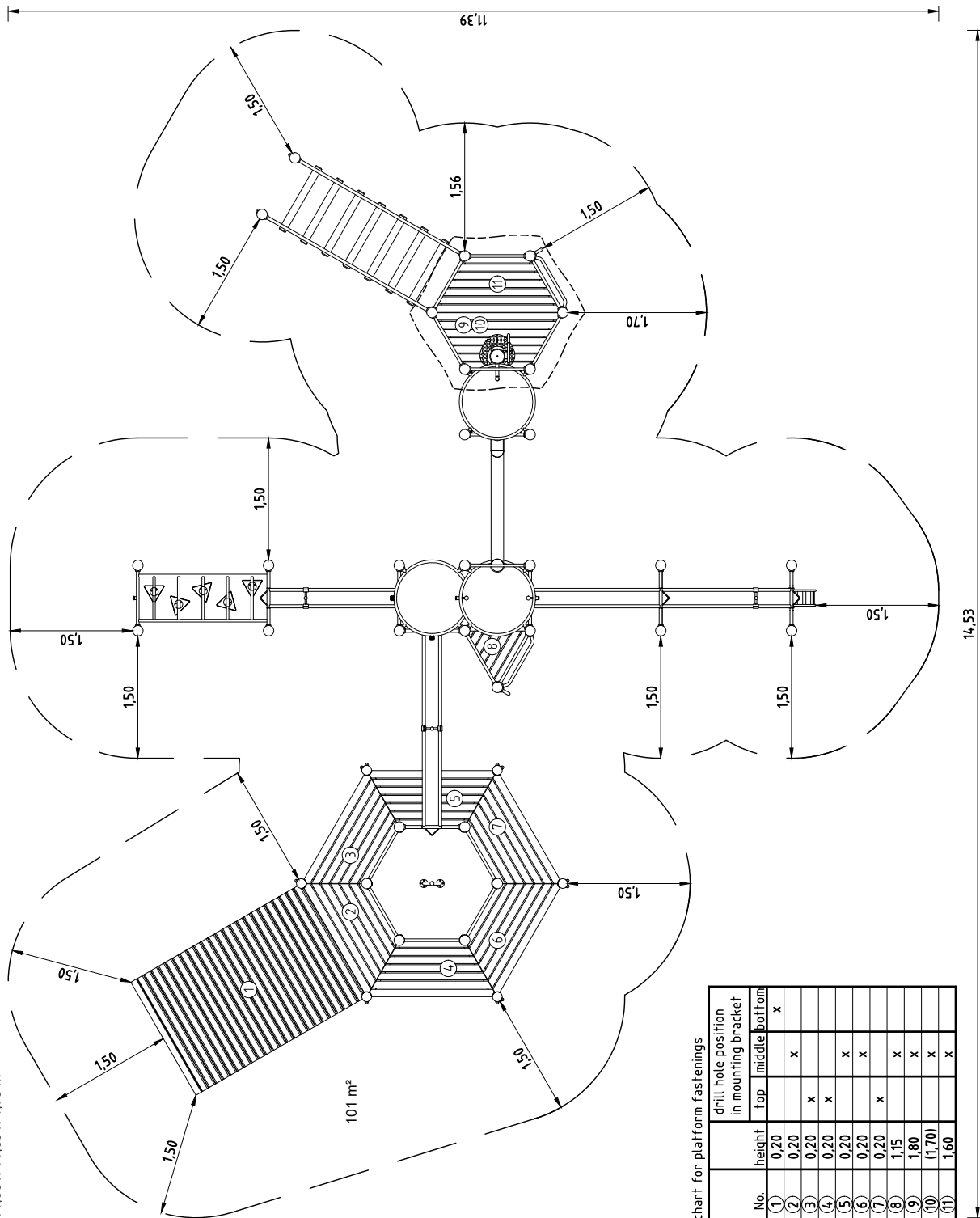
Due to the format size, this installation is not to scale (apart from single details).

Please refer to the dimensions indicated.

An installation documentation scale 1:50 can be submitted on request.

Top view & impact area

Minimum space  
14,53 x 11,39 x 4,78 m



101 m²

chart for platform fastenings

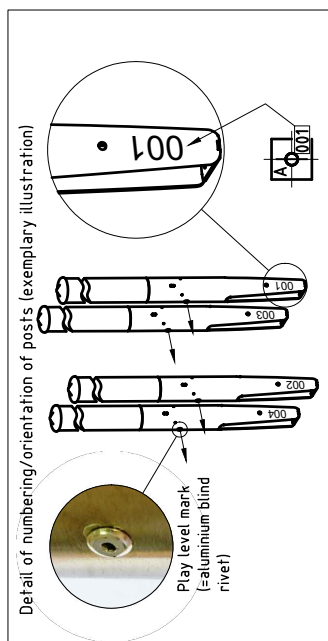
No.	height	drill hole position in mounting bracket		
		Top	middle	bottom
(1)	0,20			x
(2)	0,20	x		
(3)	0,20	x	x	
(4)	0,20		x	
(5)	0,20			x
(6)	0,20	x	x	
(7)	0,20		x	
(8)	1,15			x
(9)	1,80			x
(10)	(1,70)			x
(11)	1,60			x

Please note:

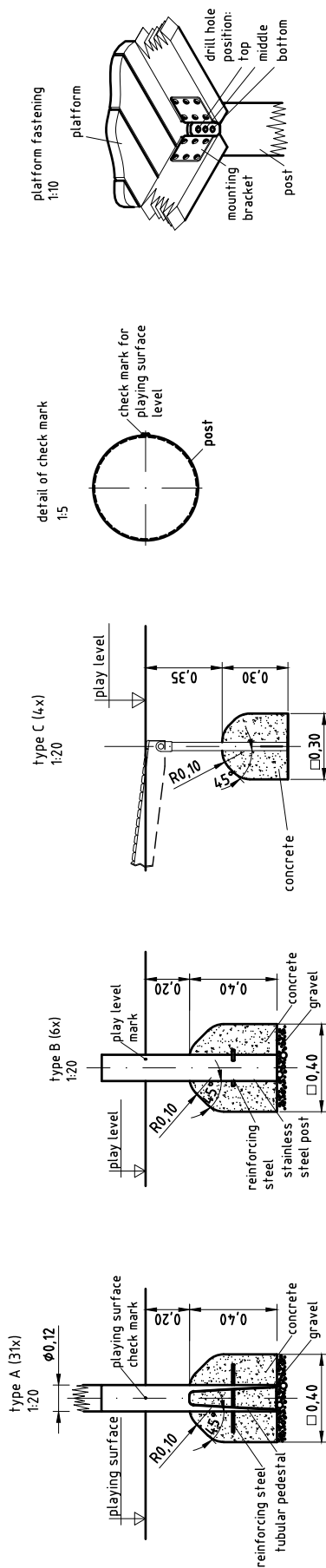
Due to the format size, this installation is not to scale (apart from single details).

Please refer to the dimensions indicated.

An installation documentation scale 1:50 can be submitted on request.



Foundation details



Foundations (on site)  
 37x 0.40 x 0.40 x 0.40 m  
 4x 0.30 x 0.30 x 0.30 m  
 (approximate) concrete needs  
 2,5 m³

Item: **034670703**

Order:

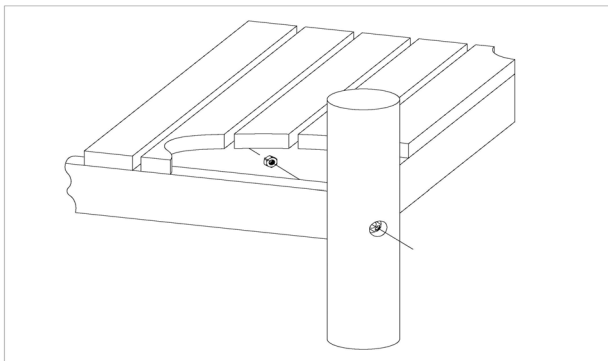
1293630

Water play structure incl. valve combi 33190

Location:

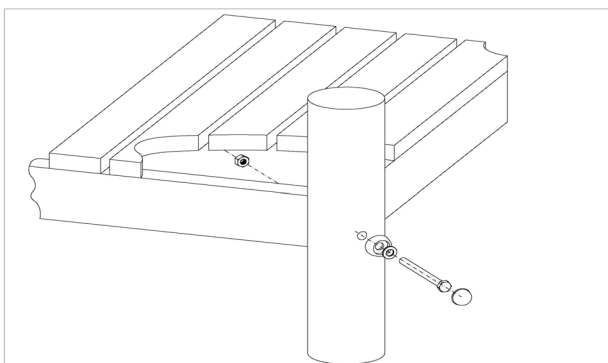
Building Project:

**4 x SFES120004 Platform at stainless steel posts screw fixed by manufacturer**



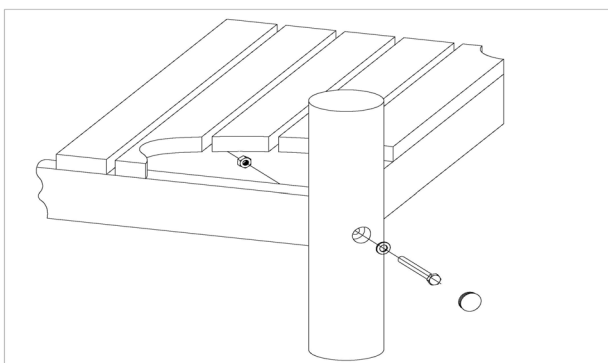
per SC	Total	K&K-Item	Marking
1 x	4 x	3430021	Lock nut M12 DIN985 A2

**10 x SFES1200014 Platform at stainless steel post (hexagon screw with protective cap/nut platform-sided)**



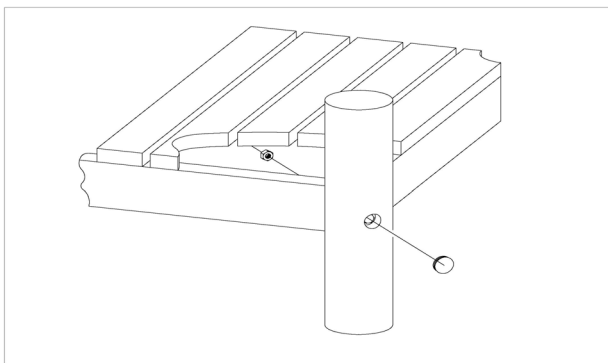
per SC	Total	K&K-Item	Marking
1 x	10 x	3300054	Red protective screw cap - lower part, domed M12
1 x	10 x	3300055	Red protective screw cap - upper part, domed M12
1 x	10 x	3430025	Washer Ø 13 DIN125 A2
1 x	10 x	3430021	Lock nut M12 DIN985 A2
1 x	10 x	3400363	Hexagon head cap screw M12 x 150 DIN931 A2

**15 x SFRS1200001 Platform at Robinia post, nut is platform-sided**



per SC	Total	K&K-Item	Marking
1 x	15 x	3430021	Lock nut M12 DIN985 A2
1 x	15 x	3430129	Washer Ø 14 DIN1440 A2
1 x	15 x	3300016	Grey domed plastic cover cap SL 36 G
1 x	15 x	3400700	Hexagon head screw M12 x 120 DIN931 A2 with screw security coating/FGB red

**14 x SFRS1200004 Platform at Robinia post screw fixed on production**



per SC	Total	K&K-Item	Marking
1 x	14 x	3300016	Grey domed plastic cover cap SL 36 G
1 x	14 x	3430021	Lock nut M12 DIN985 A2



Item: **034670703**

Order:

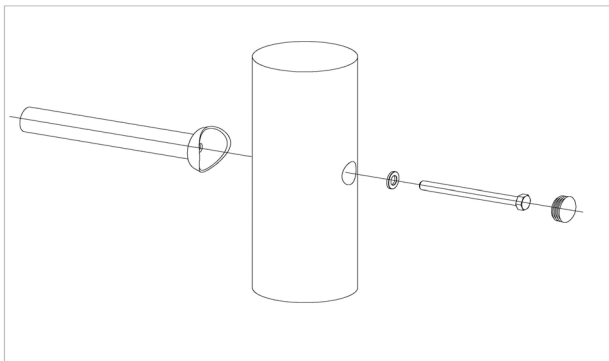
1293630

Water play structure incl. valve combi 33190

Location:

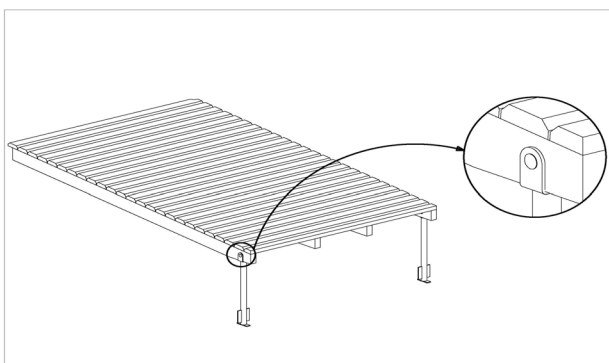
Building Project:

**102 x SFRS1230004 Standard bolting of climbing poles, ramps etc. to Robinia posts with countersunk holes**



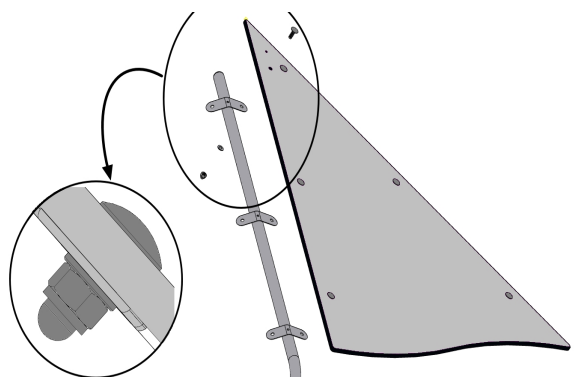
per SC	Total	K&K-Item	Marking
1 x	102 x	3300016	Grey domed plastic cover cap SL 36 G
1 x	102 x	3430129	Washer Ø 14 DIN1440 A2
1 x	102 x	3400701	Hexagon head cap screw M12 x 130 DIN931 A2 with screw retention coating/FGB red

**4 x SFXS1230010 Steel pedestal at wooden ramp**



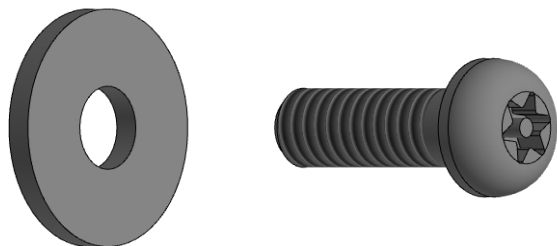
per SC	Total	K&K-Item	Marking
1 x	4 x	3430048	Lock nut M10 DIN985 A2
1 x	4 x	3430014	Washer Ø 10,5 DIN125 form B A2
1 x	4 x	3400416	Mushroom head screw M10 x 65 DIN603 A2

**36 x SFAS1240029 HPL panel fastening to roof pipe support**



per SC	Total	K&K-Item	Marking
1 x	36 x	3430014	Washer Ø 10,5 DIN125 form B A2
1 x	36 x	3430011	hexagon cap nut M10 DIN986 A2
1 x	36 x	3400138	mushroom head screw square neck M10x30 DIN 60

**6 x SFAS1240032 Roof hood fastening on HPL panels**



per SC	Total	K&K-Item	Marking
1 x	6 x	3430102	Washer Ø 8.4 DIN9021 A2
1 x	6 x	3400673	Dome head screw M8x20 A2 Security Torx TR40

Item: **034670703**

Order:

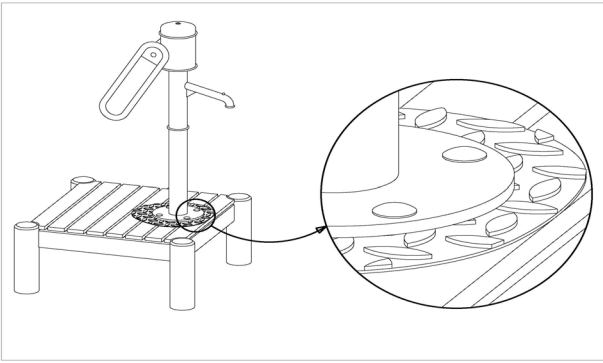
1293630

Water play structure incl. valve combi 33190

Location:

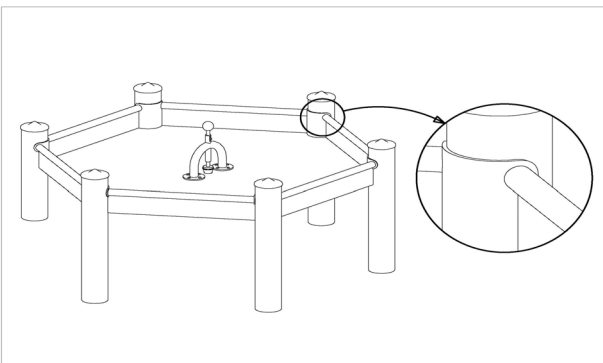
Building Project:

**4 x SFXS1260001 Water pump fastening to platform**



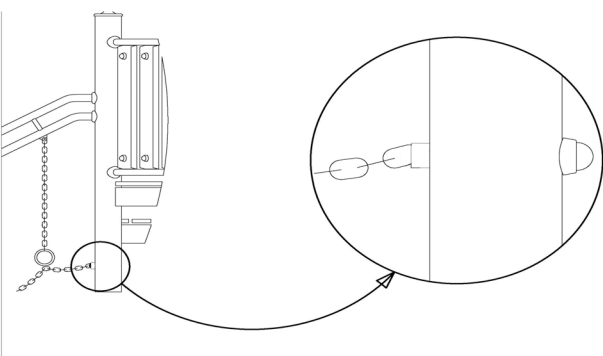
per SC	Total	K&K-Item	Marking
1 x	4 x	3430051	Hexagon cap nut M12 DIN 986 A2
1 x	4 x	3430025	Washer Ø 13 DIN125 A2
1 x	4 x	3400249	Mushroom head screw M12 x 60 DIN603 A2

**6 x SFRS1260001 Maxi water table at Robinia post**



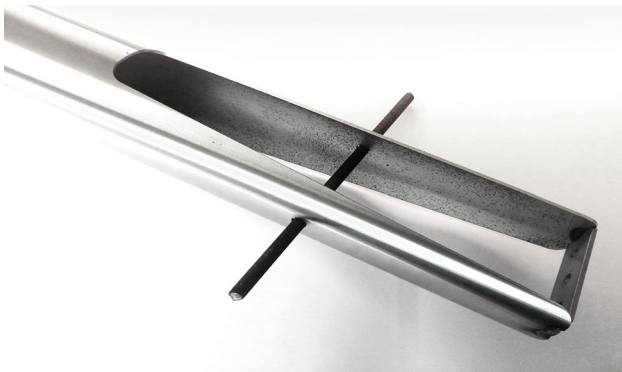
per SC	Total	K&K-Item	Marking
1 x	6 x	3400469	Mushroom head screw M12 x 120 DIN603 A2
1 x	6 x	3300016	Grey domed plastic cover cap SL 36 G
1 x	6 x	3430021	Lock nut M12 DIN985 A2
1 x	6 x	3430129	Washer Ø 14 DIN1440 A2

**4 x SFRS1200009 Timber-course connecting chain for totter bridge/ totter bow to posts**



per SC	Total	K&K-Item	Marking
1 x	4 x	3300055	Red protective screw cap - upper part, domed M12
1 x	4 x	3300054	Red protective screw cap - lower part, domed M12
1 x	4 x	3430021	Lock nut M12 DIN985 A2
1 x	4 x	3430025	Washer Ø 13 DIN125 A2

**31 x SFAS1270001 Reinforcing steel bar for posts**



per SC	Total	K&K-Item	Marking
1 x	31 x	2130000	Reinforcing steel Ø 10 x 310 DIN 488

Item: **034670703**

Order:

1293630

Water play structure incl. valve combi 33190

Location:

Building Project:

**6 x SFRS1270002 Reinforcing steel for stainless steel posts**



per SC	Total	K&K-Item	Marking
1 x	6 x	2130000	Reinforcing steel Ø 10 x 310 DIN 488

**1 x SFWZ0000001 Security TORX wrench TR40**

per SC	Total	K&K-Item	Marking
1 x	1 x	3490081	Security TORX wrench TR40



**1 x SFWZ0000012 Lubricating metal (30 g box) incl. brush**

per SC	Total	K&K-Item	Marking
1 x	1 x	5300039	Lubricating metal box 30g
1 x	1 x	5200026	Brush for lubricating metal

