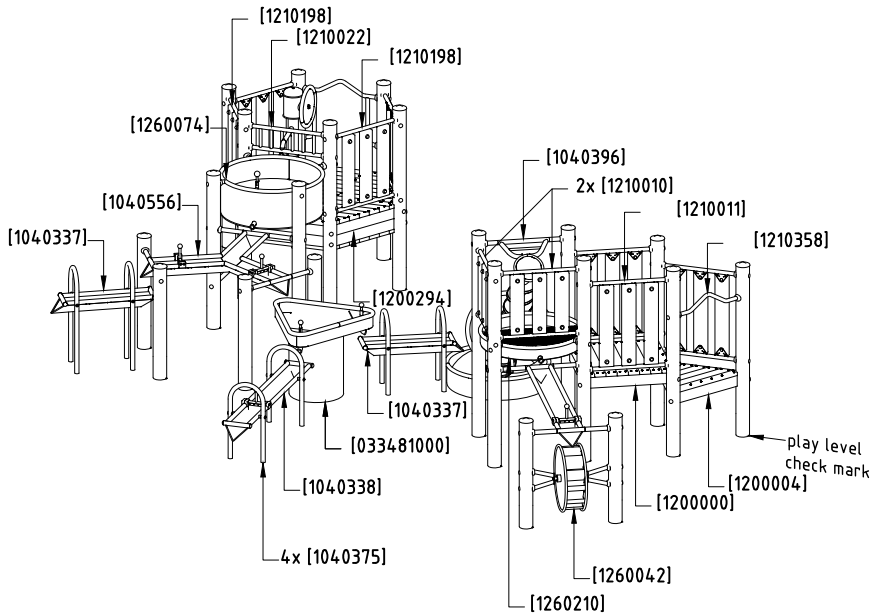
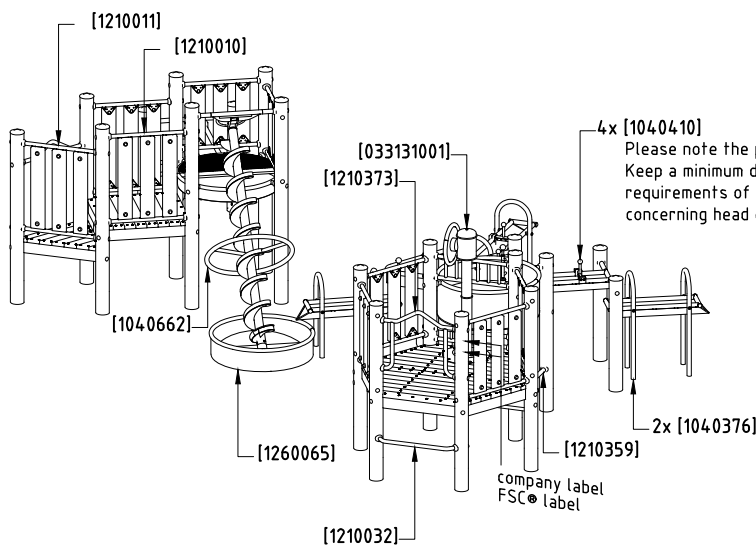


View no. 1



Spatial view no. 2



Please also consider separate documentation for water pumps or gargoyles and for (optionally) additional valve combination(s).

Installation instructions

1. Assign a device location considering the space requirement (impact area).
2. Excavate soil for foundations, according to drawing.
Please note: To achieve maximum stability and a safe installation, a moderate level of soil solubility is required.
3. Pour in a drain layer of gravel of approx. 10 cm thickness between the bottom of the posts and plain base of foundation.
4. Insert reinforcing steel into the corresponding holes of the posts.
5. Place posts according to the corresponding number (see foundation layout) into the respective foundation hole. Play level mark (=aluminium blind rivet) complies with the installation depth. Align every post by means of the play level mark facing into the same direction (see detail or foundation layout).

6. For installation of the pre-assembled components and/or single parts, the screws slightly have to be lubricated with installation paste!

Screw together platforms and posts by using the middle hole in the mounting brackets.

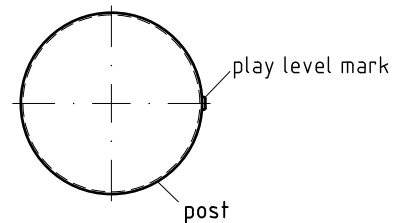
Tighten all screws after having aligned all components.

Screw connections see details in attached list.

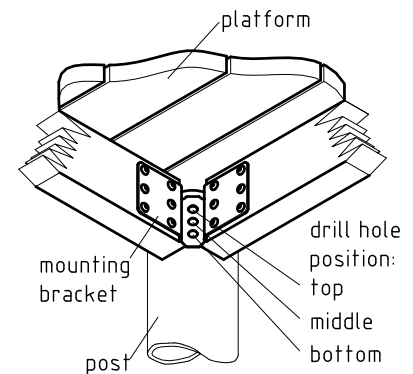
7. Grout foundations with compressed concrete C20/25, chamfer and round off the edges, cover the foundations with a surface which meets the requirement for impact attenuation so that its critical fall height is equal to or greater than the maximum free height of fall of the equipment (acc. to EN 1176-1).
8. Release for play after concrete foundations have set.
9. According to maintenance instructions, check all screw connections after 4-5 weeks and retighten, if necessary. Afterwards cover the screw heads with protective screw caps.

Please ensure that all special tools supplied (e.g. Allen key for secured Allen screws etc.) and all specific documents which are or may be useful for safety management acc. to EN 1176-7 (e.g. invoice, delivery note, order acknowledgement, installation instructions, maintenance instructions) are forwarded to the persons responsible.

detail of play level mark
1:5



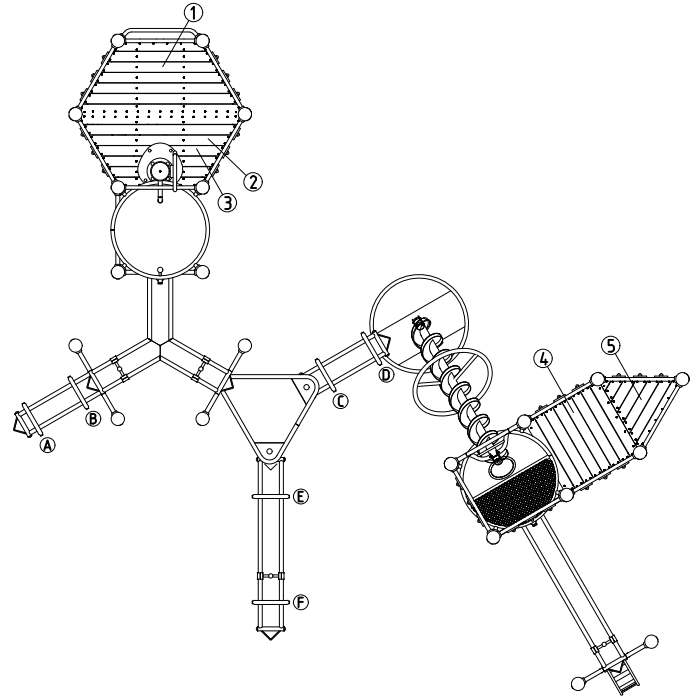
platform fastening
1:10



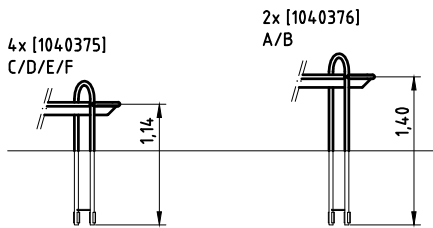
platform orientation/numbers

chart for platform fastenings

No.	height	drill hole position in mounting bracket		
		top	middle	bottom
①	0,80	x		
②	0,80		x	
③	0,70		x	
④	0,80		x	
⑤	0,60		x	



length of the different types of steel supports
1:50

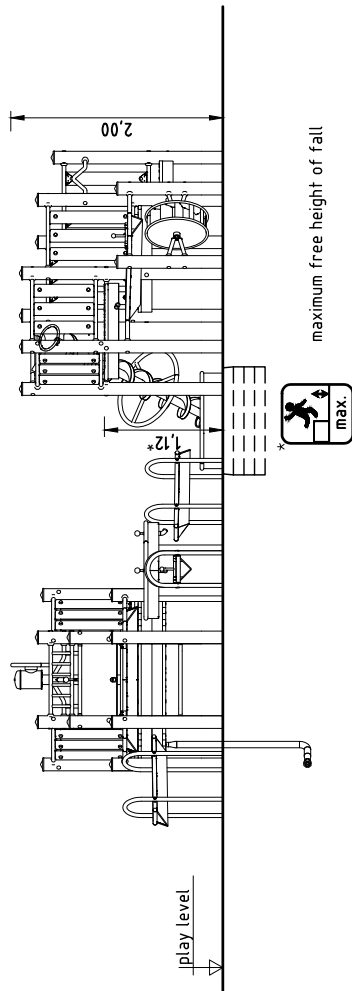


Front view

Fix water trough(s) with 1° inclination within flow direction. For the purpose of whole functionality, we recommend a tentative set-up using real water to determine the final layout.

View from the left side

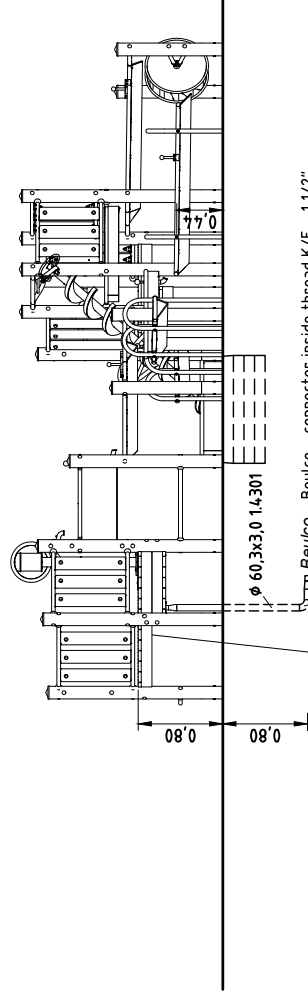
Install screw pump with an inclination of 4,5° to 50°



total height of the equipment



For a stable installation of the waterplay elements, additional (e.g. circular or ring shaped) concrete foundations are necessary. Their dimensions (especially the depth) depend on the soil conditions on site. The waterplay elements can be connected to the foundations either by using concrete dowels or by the stone bolts provided.



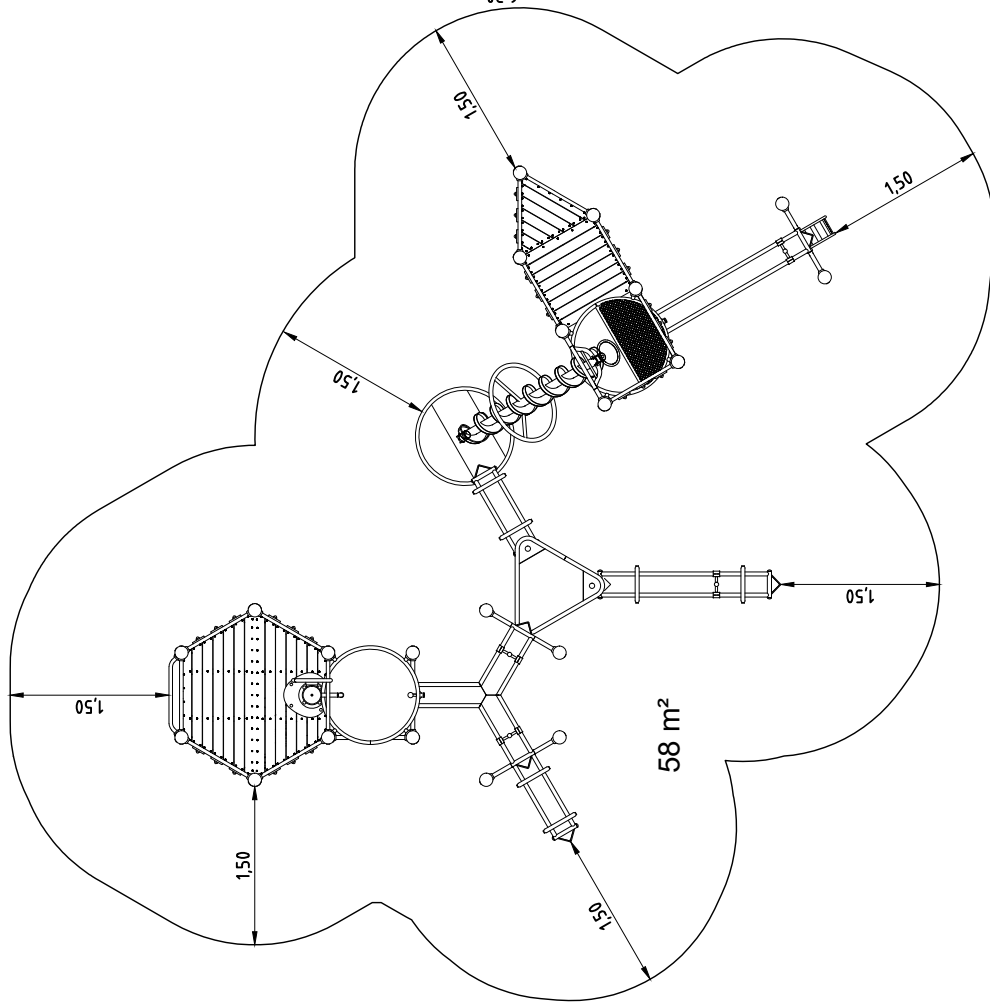
Remove protective planks from the bottom side of the bottom platform for water supply installation of the valve connection.

Furnished tubular pipe for the connection of water pump and valve combination to a pressurised water supply (preassembled with the bottom platform).

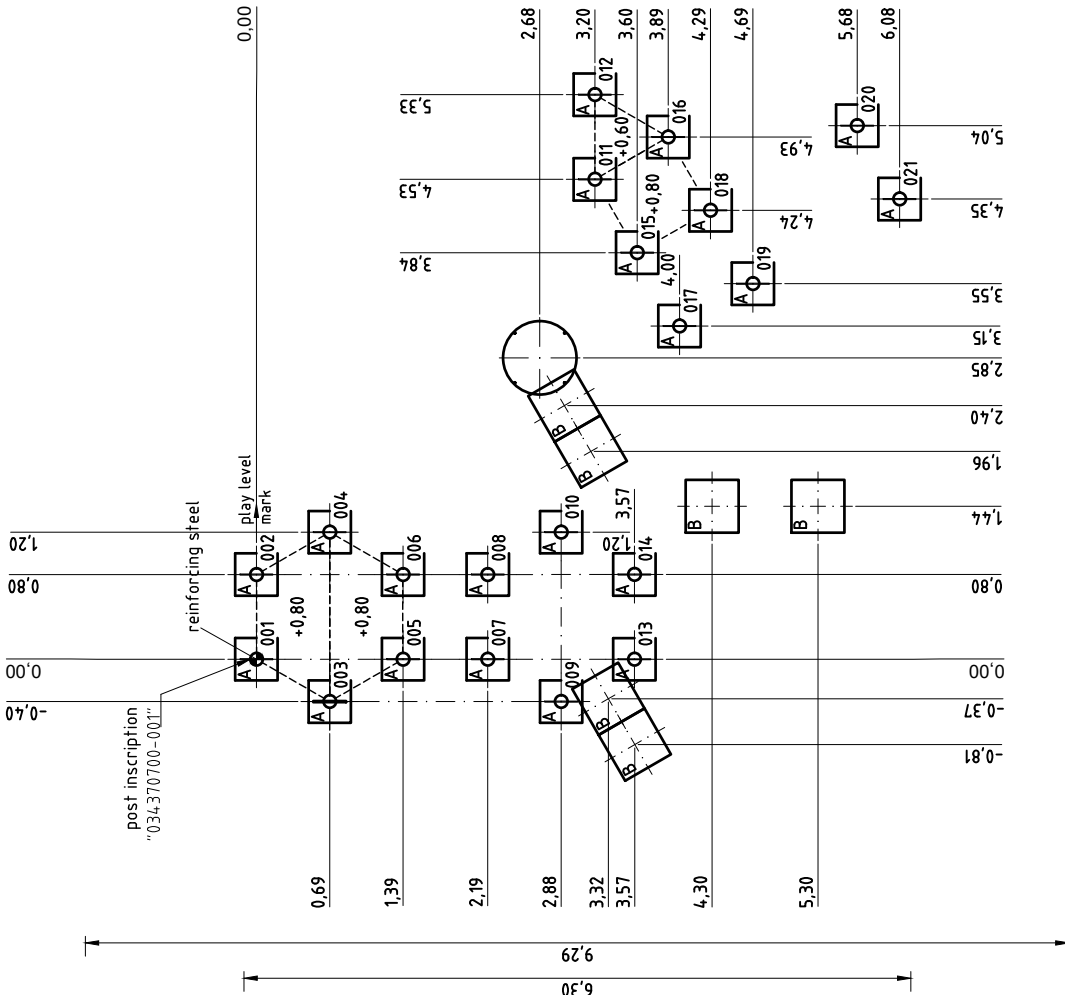
Also see additional notes in separately enclosed documentation for pump and valve connection.



Top view & impact area



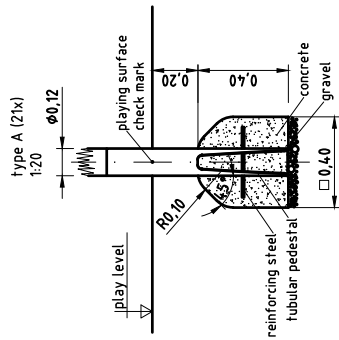
Foundation layout



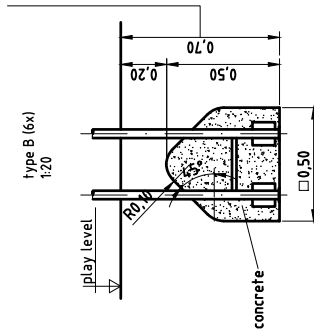
EN 1176

foundations (on site)
 21x 0,40 x 0,40 x 0,40 m
 6x 0,50 x 0,50 x 0,50 m
 (approximate) concrete needs
 2 m³

Foundation details



Minimum installation depth.
 Depending on the trough
 depth required, the
 foundation depth can
 exceed 0,70 m.



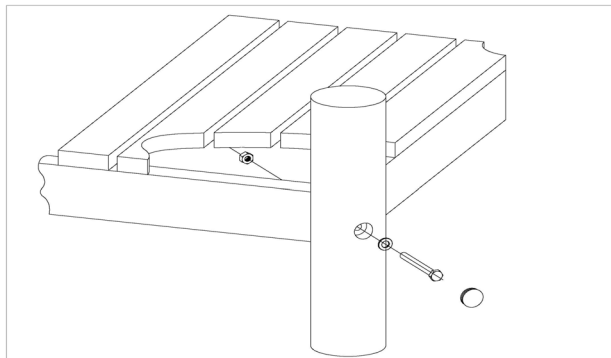
Item: **034370700**
 Water play structure
 Location:

Order:

1294869

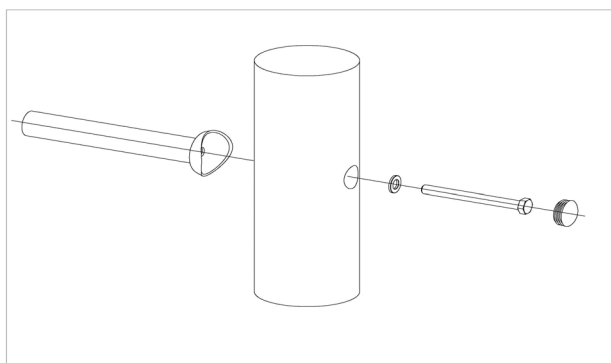
Building Project:

19 x SFRS1200001 Platform at Robinia post, nut is platform-sided



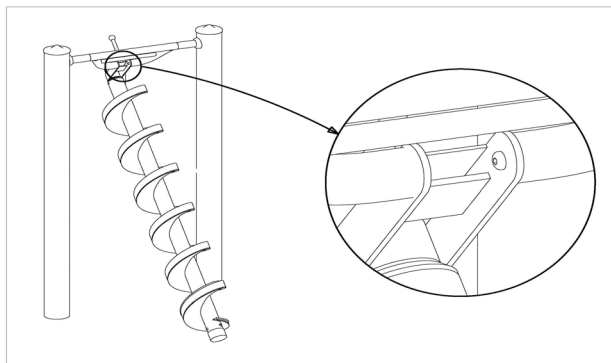
per SC	Total	K&K-Item	Marking
1 x	19 x	3430129	Washer Ø 14 DIN1440 A2
1 x	19 x	3430021	Lock nut M12 DIN985 A2
1 x	19 x	3300016	Grey domed plastic cover cap SL 36 G
1 x	19 x	3400700	Hexagon head screw M12 x 120 DIN931 A2 with screw security coating/FGB red

78 x SFRS1230004 Standard bolting of climbing poles, ramps etc. to Robinia posts with countersunk holes



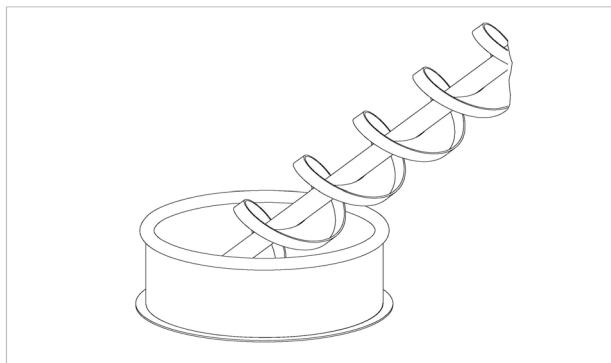
per SC	Total	K&K-Item	Marking
1 x	78 x	3300016	Grey domed plastic cover cap SL 36 G
1 x	78 x	3430129	Washer Ø 14 DIN1440 A2
1 x	78 x	3400701	Hexagon head cap screw M12 x 130 DIN931 A2 with screw retention coating/FGB red

2 x SFXS1260004 Screw pump fixing to RS120 junction



per SC	Total	K&K-Item	Marking
1 x	2 x	3400673	Dome head screw M8x20 A2 Security Torx TR40

2 x SFXS1040009 Screw pump fixing to bottom basin



per SC	Total	K&K-Item	Marking
1 x	2 x	3430011	hexagon cap nut M10 DIN986 A2

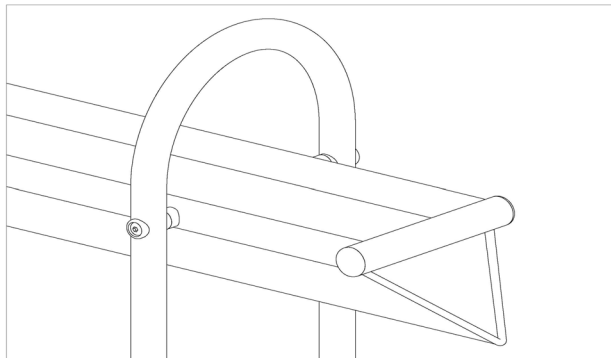
Item: **034370700**
 Water play structure
 Location:

Order:

1294869

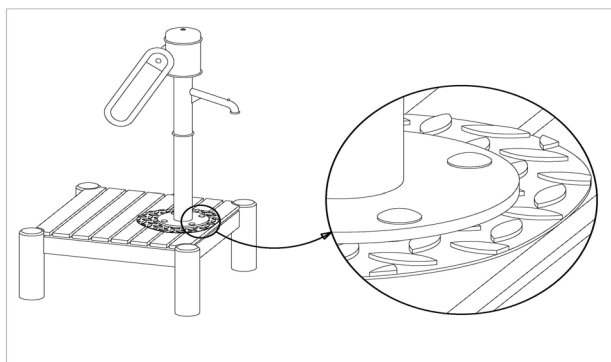
Building Project:

12 x SFXS1040006 Water trough (S) at support



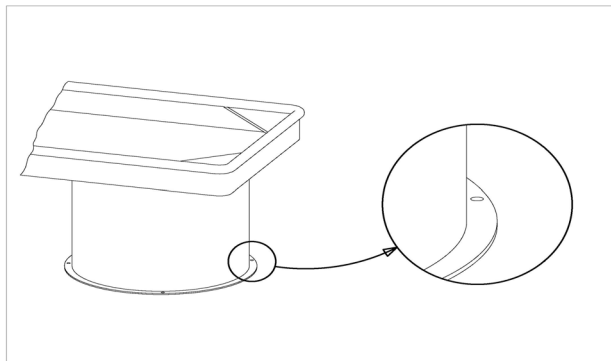
per SC	Total	K&K-Item	Marking
1 x	12 x	3400286	Dome head security screw-M10x50-Resistorx T45 A

4 x SFXS1260001 Water pump fastening to platform



per SC	Total	K&K-Item	Marking
1 x	4 x	3430025	Washer Ø 13 DIN125 A2
1 x	4 x	3430051	Hexagon cap nut M12 DIN 986 A2
1 x	4 x	3400249	Mushroom head screw M12 x 60 DIN603 A2

8 x SFXS1040011 Cylinder base plate fastening to foundation



per SC	Total	K&K-Item	Marking
1 x	8 x	1040272	Fastening set water play equipment M10x160 A2 stone bolt/washer/nuts

21 x SFAS1270001 Reinforcing steel bar for posts



per SC	Total	K&K-Item	Marking
1 x	21 x	2130000	Reinforcing steel Ø 10 x 310 DIN 488

Item: 034370700	Order:	1294869
Water play structure		
Location:	Building Project:	

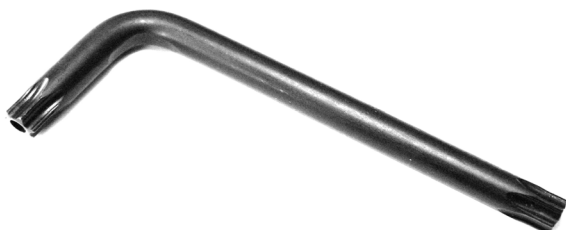
2 x SFWZ0000001 Security TORX wrench TR40

per SC	Total	K&K-Item	Marking
1 x	2 x	3490081	Security TORX wrench TR40



2 x SFWZ0000002 Security TORX wrench TR45

per SC	Total	K&K-Item	Marking
1 x	2 x	3490033	Allen key security TORX TR45



2 x SFWZ0000012 Lubricating metal (30 g box) incl. brush

per SC	Total	K&K-Item	Marking
1 x	2 x	5300039	Lubricating metal box 30g
1 x	2 x	5200026	Brush for lubricating metal

