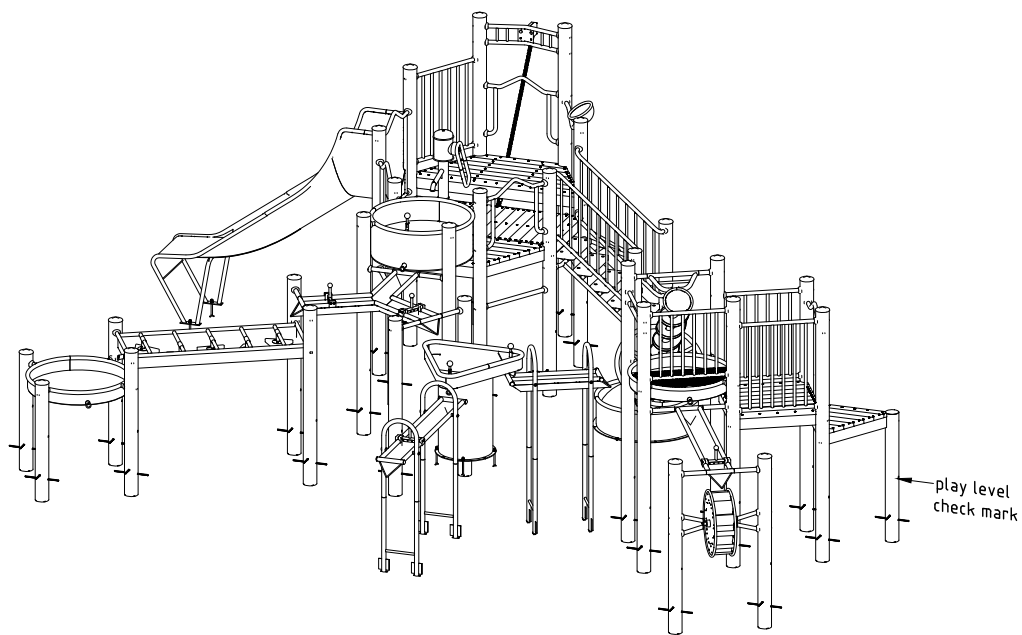
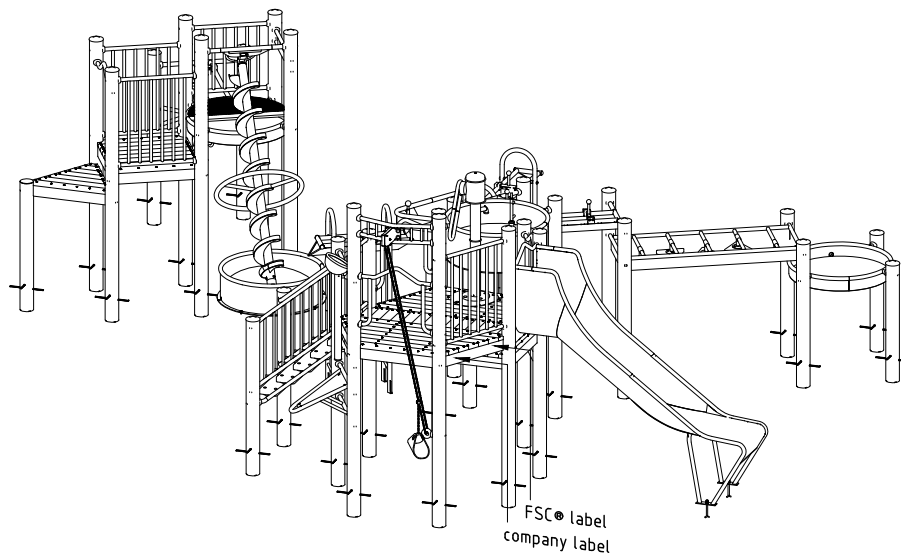


View no. 1



Spatial view no. 2



Please also consider separate documentation for water pumps or gargoyles and for (optionally) additional valve combination(s).

## Installation instructions

1. Assign a device location considering the space requirement (impact area).
2. Excavate soil for foundations, according to drawing.  
Please note: To achieve maximum stability and a safe installation, a moderate level of soil solubility is required.
3. Pour in a drain layer of gravel of approx. 10 cm thickness between the bottom of the posts and plain base of foundation.
4. Insert reinforcing steel into the corresponding holes of the posts.
5. Place posts according to the corresponding number (see foundation layout) into the respective foundation hole. Play level mark (=aluminium blind rivet) complies with the installation depth. Align every post by means of the play level mark facing into the same direction (see details or foundation layout).

### 6. For installation of the pre-assembled components and/or single parts, the screws slightly have to be lubricated with installation paste!

Screw together platforms and posts by using the middle hole in the mounting brackets.

**Tighten all screws after having aligned all components.**

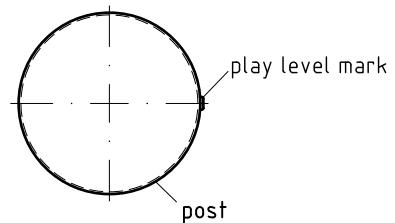
Screw connections see details in attached list.

7. Grout foundations with compressed concrete C20/25, chamfer and round off the edges, cover the foundations with a surface which meets the requirements for impact attenuation so that the critical fall height of the surfacing is equal to, or greater than, the free height of fall of the equipment (according to EN 1176-1)..
8. Release for play after concrete foundations have set.
9. According to maintenance instructions, check all screw connections after 4-5 weeks and retighten, if necessary.

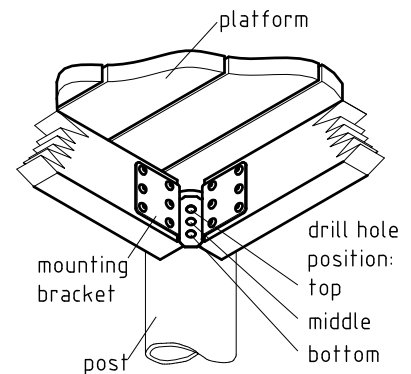
Please ensure that all special tools supplied (e.g. Allen key for secured Allen screws etc.) and all specific documents which are or may be useful for safety management according to EN 1176-7 (e.g. invoice, delivery note, order acknowledgement, installation instructions, maintenance instructions) are forwarded to the persons responsible.

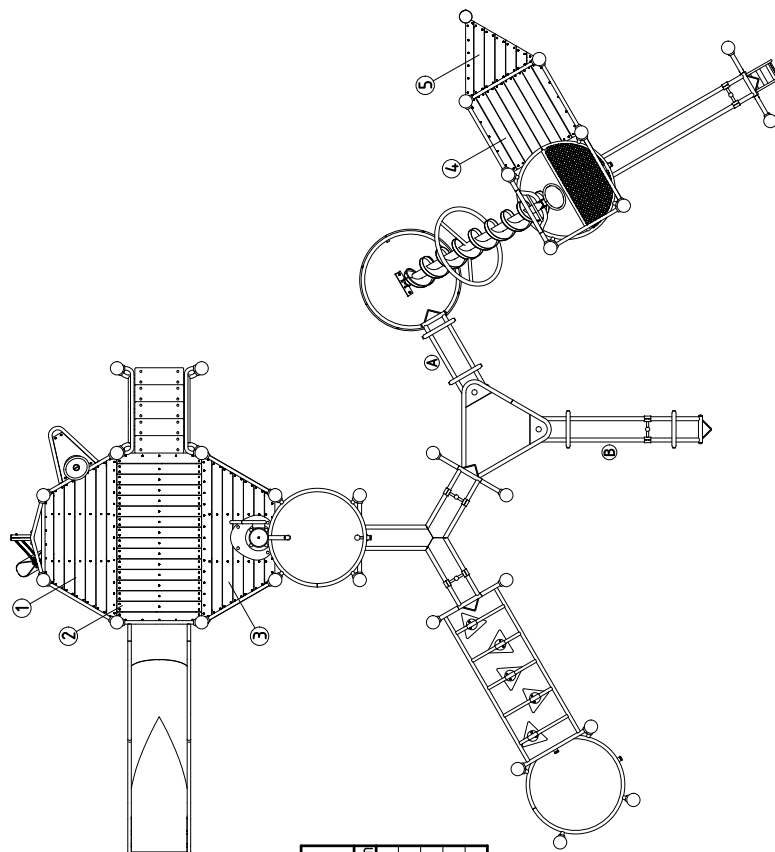
**Necessarily insert all attachment parts before tightening the screws. It is NOT possible to insert them afterwards.**

detail of play level mark  
1:5



platform fastening  
1:10



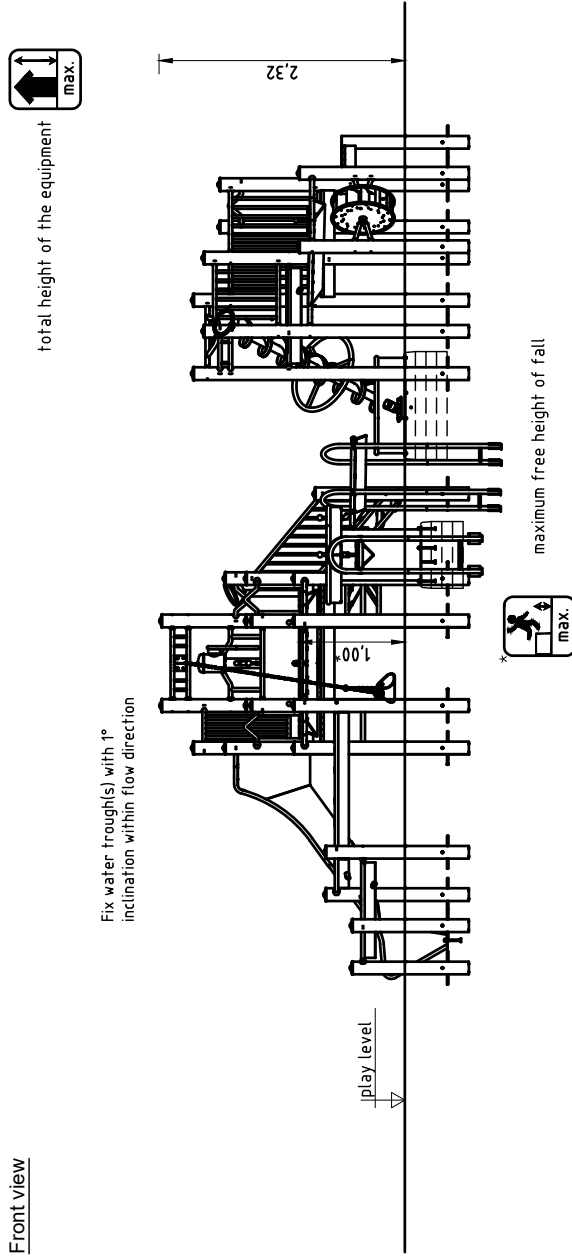


platform orientation/numbers  
1:100

chart for platform fastenings

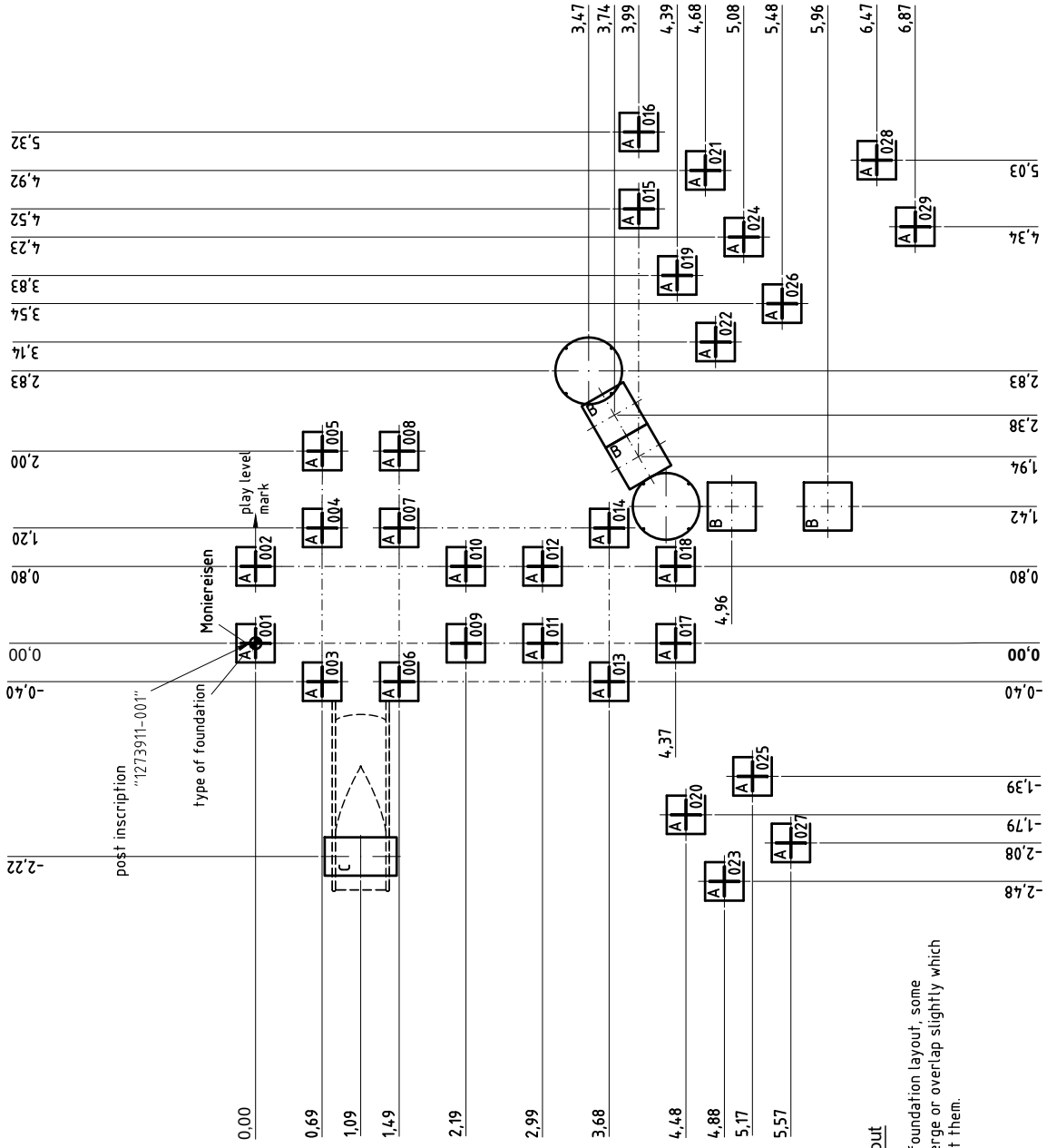
No.	height	drill hole position in mounting bracket		
		top	middle	bottom
1	1,00		x	
2	0,80		x	
3	0,80	x		
4	0,80		x	
5	0,60		x	

Front view



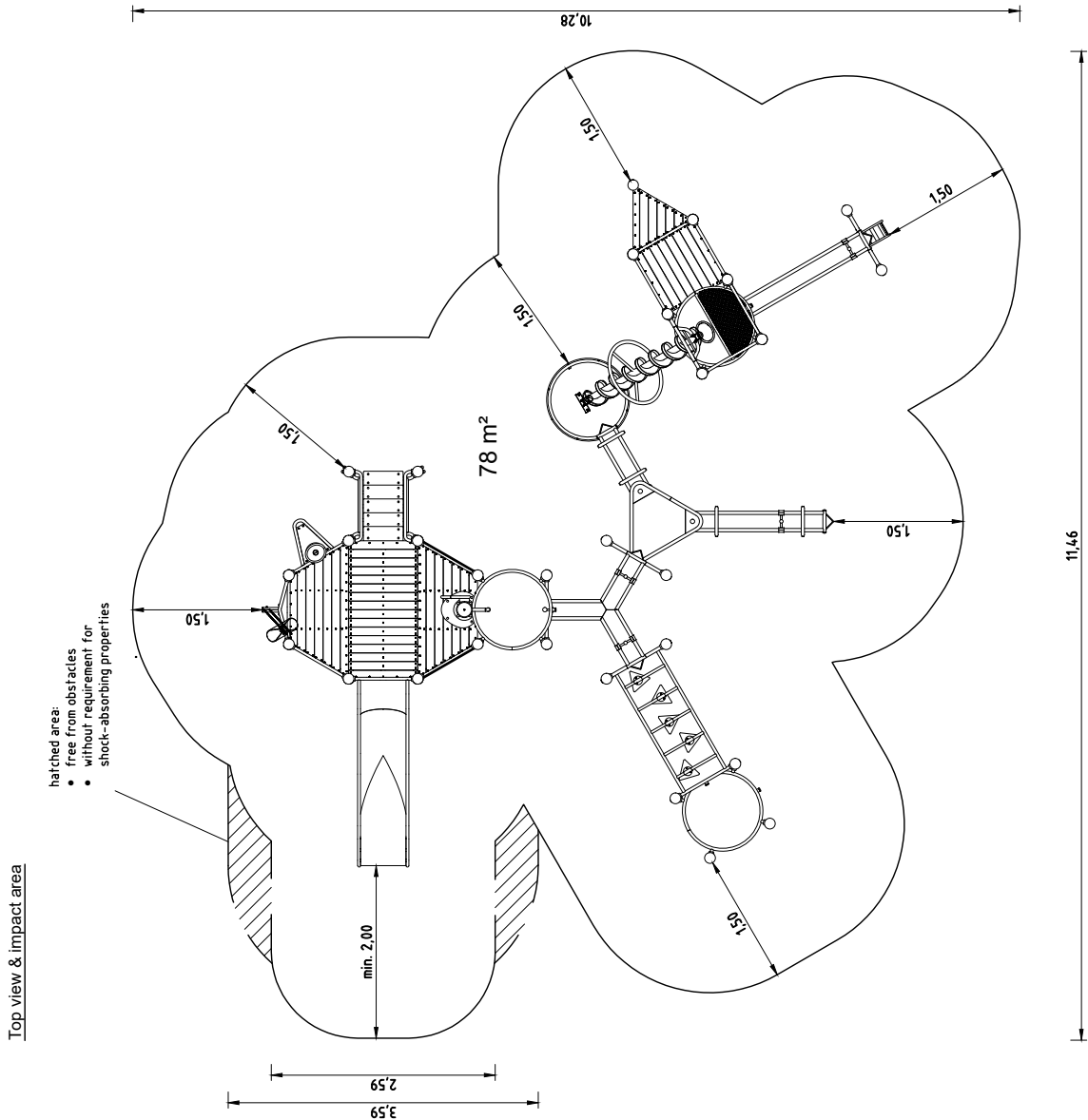
Fix water trough(s) with 1° inclination within flow direction

For a stable installation of the waterplay elements, additional (e.g. circular or ring shaped) concrete foundations are necessary. Their dimensions (especially the depth) depend on the soil conditions on site. The waterplay elements can be connected to the foundations either by using concrete dowels or by the stone bolts provided.

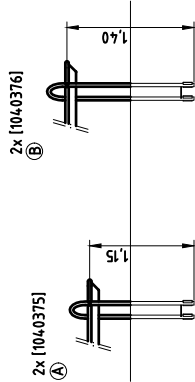


Foundation layout

According to the foundation layout, some foundations converge or overlap slightly which permits to connect them.



length of the different types of steel supports  
1,50



foundations (on site)  
29x 0.40 x 0.40 x 0.40 m  
4x 0.50 x 0.50 x 0.50 m  
1x 0.40 x 0.75 x 0.40 m  
(approximate) concrete needs  
2,6 m<sup>3</sup>

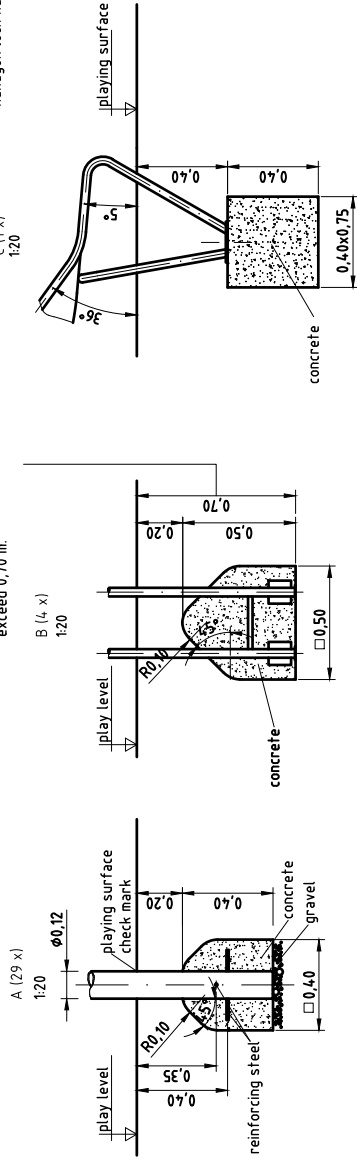
**Masonry bolts for concrete foundations prepared on-site**

**2 x screw connection**

consisting of:  
masonry bolt with nut DIN 529-M12x160-zinc-plated;  
washer DIN 125-φ13-A2;  
hexagon nut DIN 934-M12-A2;  
hexagon lock nut DIN 985-M12-A2.

**Foundation details**

Minimum installation depth.  
Depending on the trough  
depth required, the  
foundation depth can  
exceed 0,70 m.



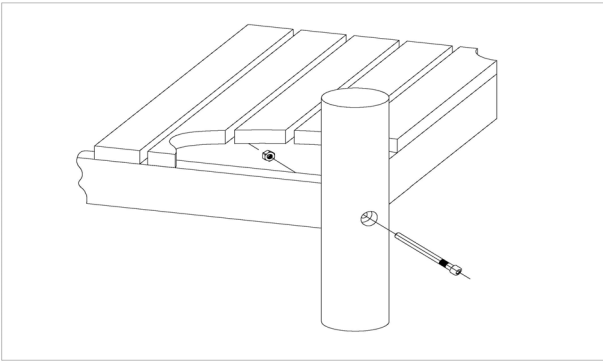
Item: **034410500**  
Water Play Structure  
Location:

Order:

1295125

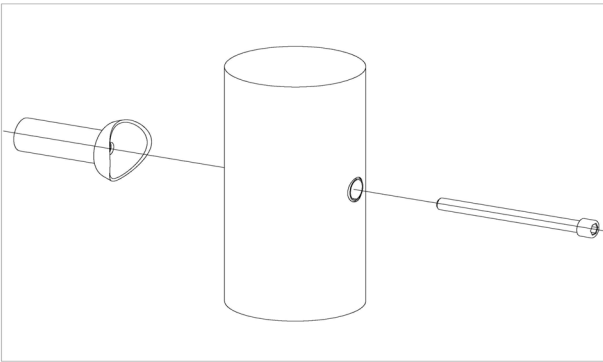
Building Project:

**19 x SFES1200001 Platform fastening to stainless steel post, nut on the side of the platform**



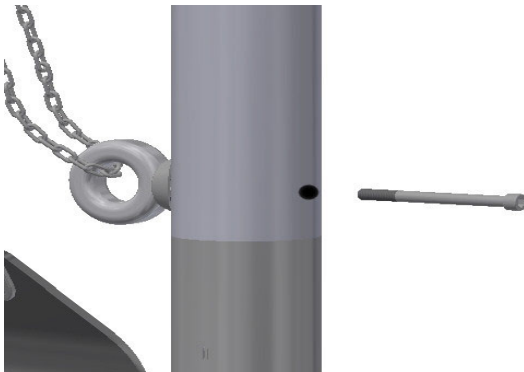
per SC	Total	K&K-Item	Marking
1 x	19 x	3430021	Lock nut M12 DIN985 A2
1 x	19 x	2030651	Cheese head screw with pin M12 x 125

**98 x SFES1210001 Standard bolting of attachment parts (except platforms) to stainless steel posts**



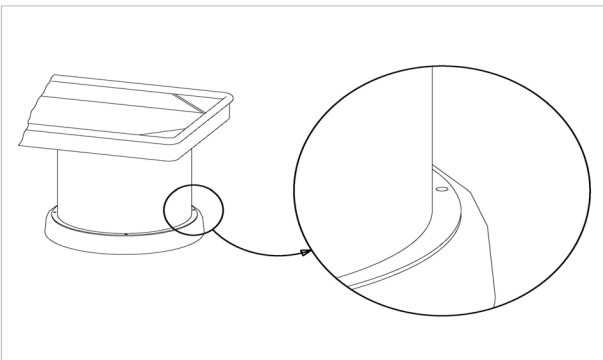
per SC	Total	K&K-Item	Marking
1 x	98 x	2030168	Cheese head screw with pin M12x140

**1 x SFES1260002 Fastening of chain of sand pulley to steel post**



per SC	Total	K&K-Item	Marking
1 x	1 x	2030168	Cheese head screw with pin M12x140
1 x	1 x	1040731	weld piece/post attachment/twist protection

**4 x SFXS1040001 Cylinder base plate fastening to foundation**



per SC	Total	K&K-Item	Marking
1 x	4 x	3430014	Washer Ø 10,5 DIN125 form B A2
1 x	4 x	3400464	Dome head security screw-M10x20-Resistorx T45 A



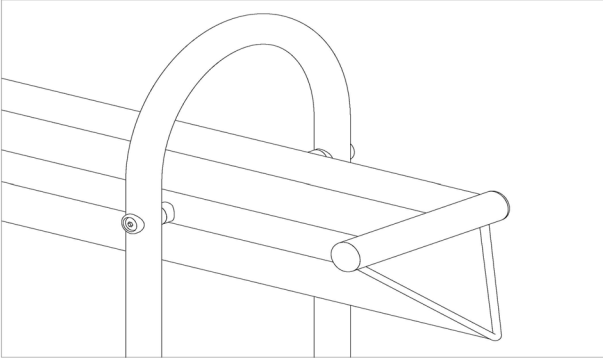
Item: **034410500**  
Water Play Structure  
Location:

Order:

1295125

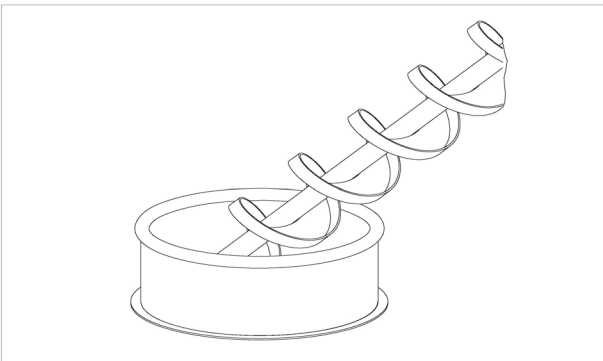
Building Project:

**8 x SFXS1040006 Water trough (S) at support**



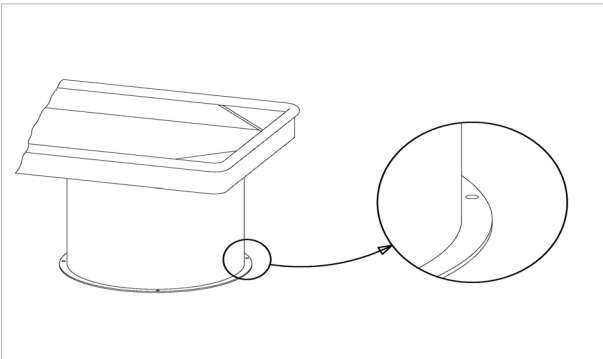
per SC	Total	K&K-Item	Marking
1 x	8 x	3400286	Dome head security screw-M10x50-Resistorx T45 A

**2 x SFXS1040009 Screw pump fixing to bottom basin**



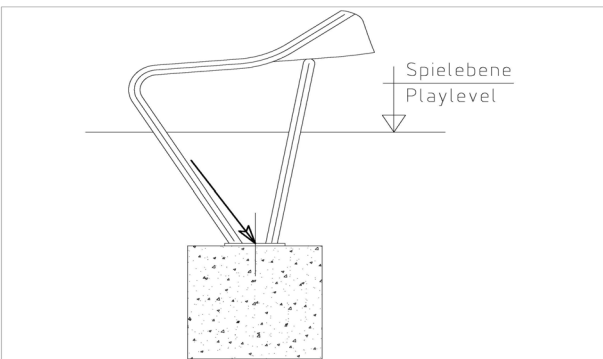
per SC	Total	K&K-Item	Marking
1 x	2 x	3430011	hexagon cap nut M10 DIN986 A2

**4 x SFXS1040011 Cylinder base plate fastening to foundation**



per SC	Total	K&K-Item	Marking
1 x	4 x	1040272	Fastening set water play equipment M10x160 A2 stone bolt/washer/nuts

**2 x SFXS1070006 Slide run-out section (up to 2,00 m) on foundation stone bolt assembly**



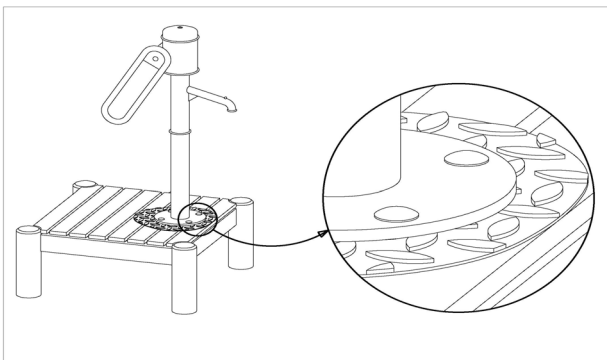
per SC	Total	K&K-Item	Marking
1 x	2 x	1070365	Set of stone bolts for slide run-out section M12x160

Item: **034410500**  
 Water Play Structure  
 Location: Building Project:

Order:

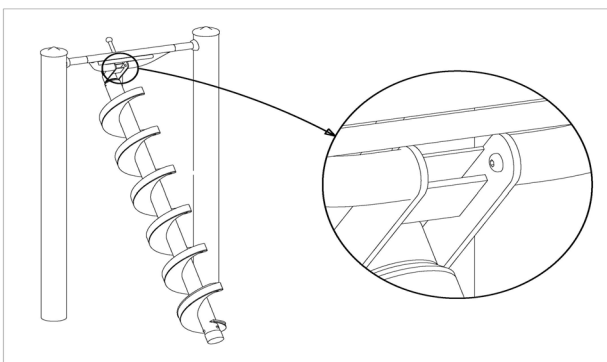
1295125

**4 x SFXS1260001 Water pump fastening to platform**



per SC	Total	K&K-Item	Marking
1 x	4 x	3430051	Hexagon cap nut M12 DIN 986 A2
1 x	4 x	3430025	Washer Ø 13 DIN125 A2
1 x	4 x	3400249	Mushroom head screw M12 x 60 DIN603 A2

**2 x SFXS1260004 Screw pump fixing to RS120 junction**



per SC	Total	K&K-Item	Marking
1 x	2 x	3400673	Dome head screw M8x20 A2 Security Torx TR40

**29 x SFES1270001 Reinforcing steel for stainless steel posts**



per SC	Total	K&K-Item	Marking
2 x	58 x	2130000	Reinforcing steel Ø 10 x 310 DIN 488

**1 x SFWZ0000001 Security TORX wrench TR40**

per SC	Total	K&K-Item	Marking
1 x	1 x	3490081	Security TORX wrench TR40



Item: **034410500**  
Water Play Structure

Order:

1295125

Location:

Building Project:

**1 x SFWZ000002 Security TORX wrench TR45**

per SC	Total	K&K-Item	Marking
1 x	1 x	3490033	Allen key security TORX TR45



**1 x SFWZ000009 Hexagon insert socket driver 10mm 1/2" with borehole for Pin**

per SC	Total	K&K-Item	Marking
1 x	1 x	2030170	Hexagon insert socket driver 10 mm 1/2" with drill hole for Pin



**1 x SFWZ000012 Lubricating metal (30 g box) incl. brush**

per SC	Total	K&K-Item	Marking
1 x	1 x	5300039	Lubricating metal box 30g
1 x	1 x	5200026	Brush for lubricating metal

