

Installation

Item No. 034400500/700 Description Water play structure

Scale 1:50

Date 10/22 EB

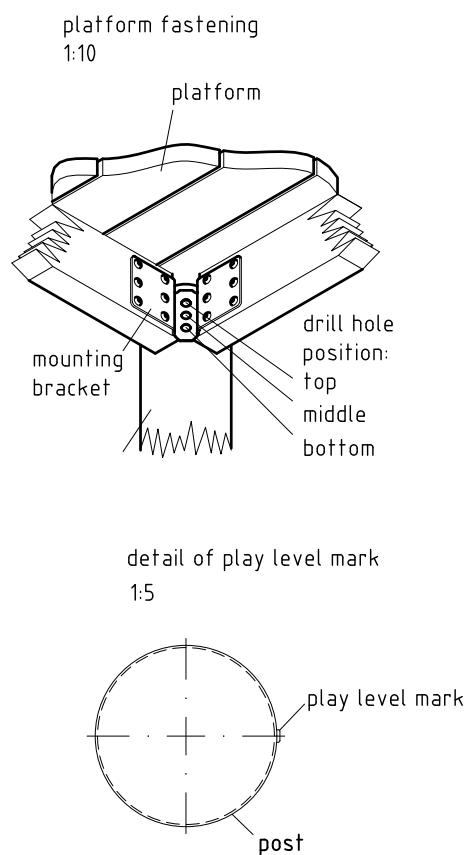
Page 1/5

Installation instructions

1. Assign a device location considering the space requirement (impact area).
2. Excavate soil for foundations, according to drawing.
Please note: To achieve maximum stability and a safe installation, a moderate level of soil solubility is required.
3. Pour in a drain layer of gravel of approx. 10 cm thickness between the bottom of the posts and plain base of foundation.
4. Insert reinforcing steel into the corresponding holes of the posts.
5. Place posts type A according to the corresponding number (see foundation layout) into the respective foundation hole. Play level mark (=aluminium blind rivet) complies with the installation depth. Align every post by means of the play level mark facing into the same direction (see detail or foundation layout).
6. **For installation of the pre-assembled components and/or single parts, the screws slightly have to be lubricated with installation paste!**
Screw together platform and posts by using the respective hole in the mounting brackets (according to "**chart for platform fastening**").
Tighten all screws after having aligned all components.
Screw connections see details in attached list.
We recommend not to insert the protection caps enclosed before first maintenance as they are only suitable for one-time use.
7. Grout foundations with compressed concrete C20/25, chamfer and round x off the edges, cover the foundations with a surface which meets the requirement for impact attenuation so that its critical fall height is equal to or greater than the maximum free height of fall of the equipment (acc. to EN 1176-1).
8. Release for play after concrete foundations have set.
9. According to maintenance instructions, check all screw connections after 4-5 weeks and retighten, if necessary. Afterwards cover the screw heads with protection caps.

Please ensure that all special tools supplied (e.g. Allen key for secured Allen screws etc.) and all specific documents which are or may be useful for safety management acc. to EN 1176-7 (e.g. invoice, delivery note, order acknowledgement, installation instructions, maintenance instructions) are forwarded to the persons responsible.

Necessarily insert all attachment parts before tightening the screws. It is NOT possible to insert them afterwards.



Top view & impact area

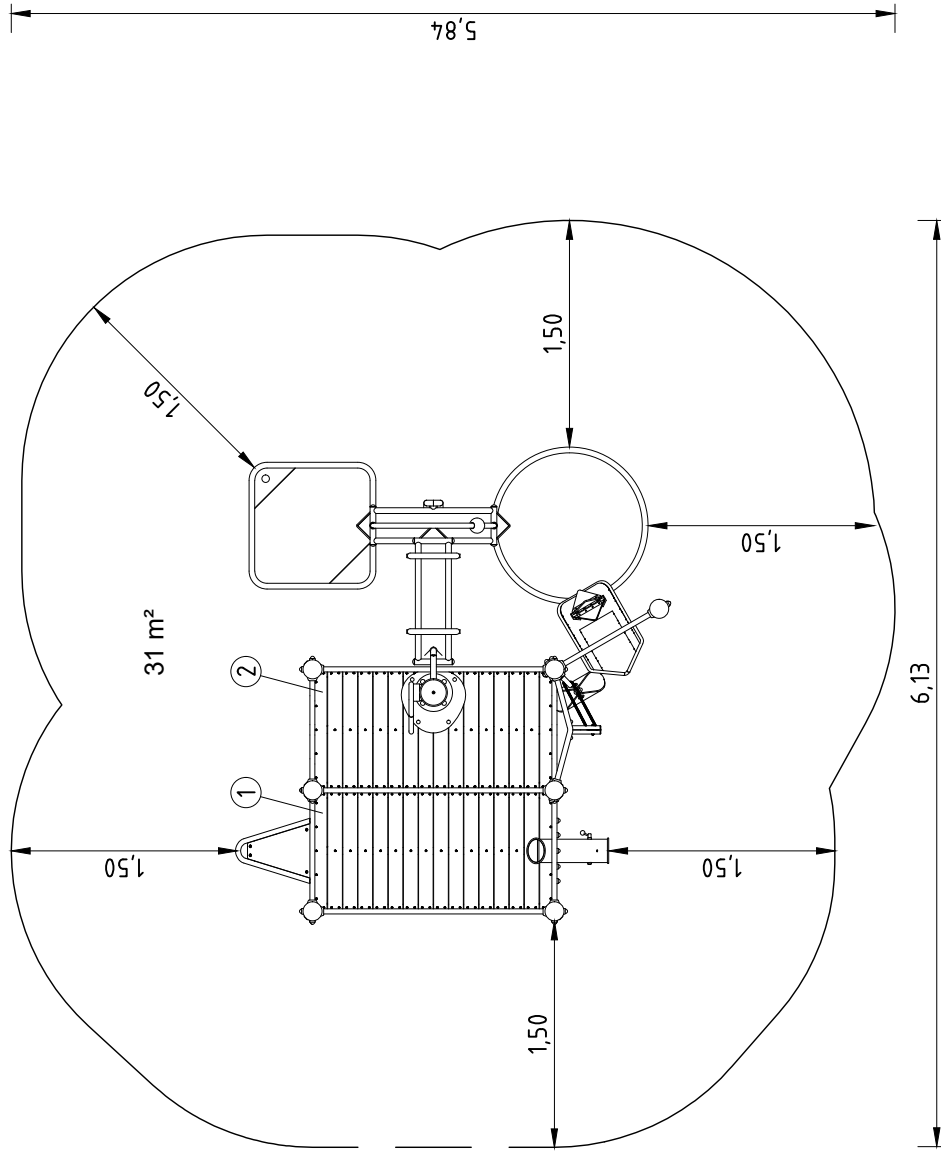
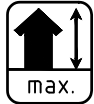


chart for platform fastenings

No.	height	drill hole position in mounting bracket		
		top	middle	bottom
(1)	0,30 m	x		
(2)	0,30 m		x	

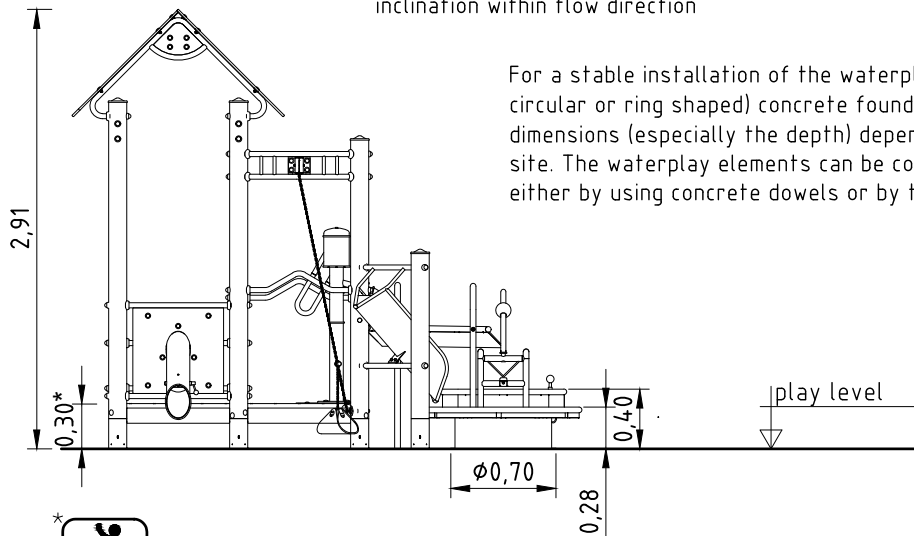
Minimum space
6,13 x 5,84 x 2,91 m

Front view

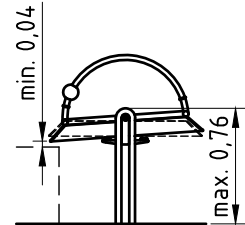


dimension mark - total height of the equipment

Fix water trough(s) with 1° inclination within flow direction



For a stable installation of the waterplay elements, additional (e.g. circular or ring shaped) concrete foundations are necessary. Their dimensions (especially the depth) depend on the soil conditions on site. The waterplay elements can be connected to the foundations either by using concrete dowels or by the stone bolts provided.



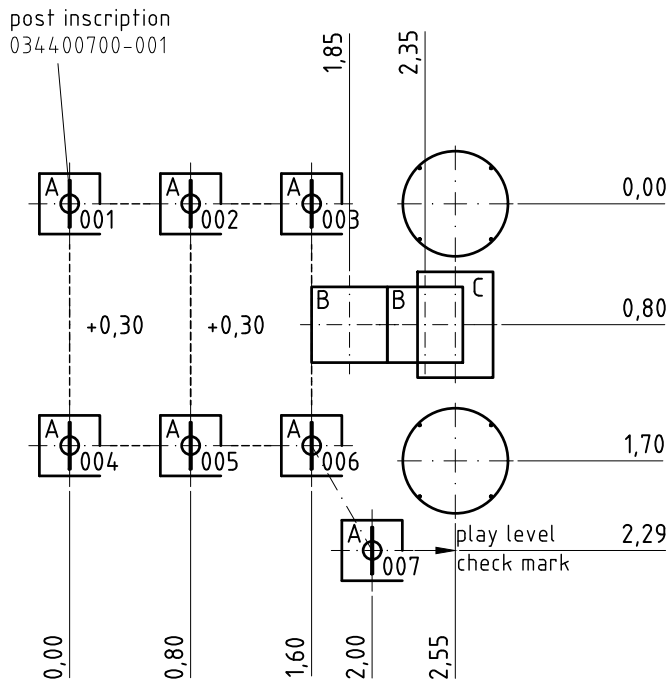
Please note:
Keep to minimum clearance between inclined, loaded trough and top edge of water play equipment below!



dimension mark - maximum free height of fall

Space occupied by equipment
3,37 x 2,88 x 2,91 m

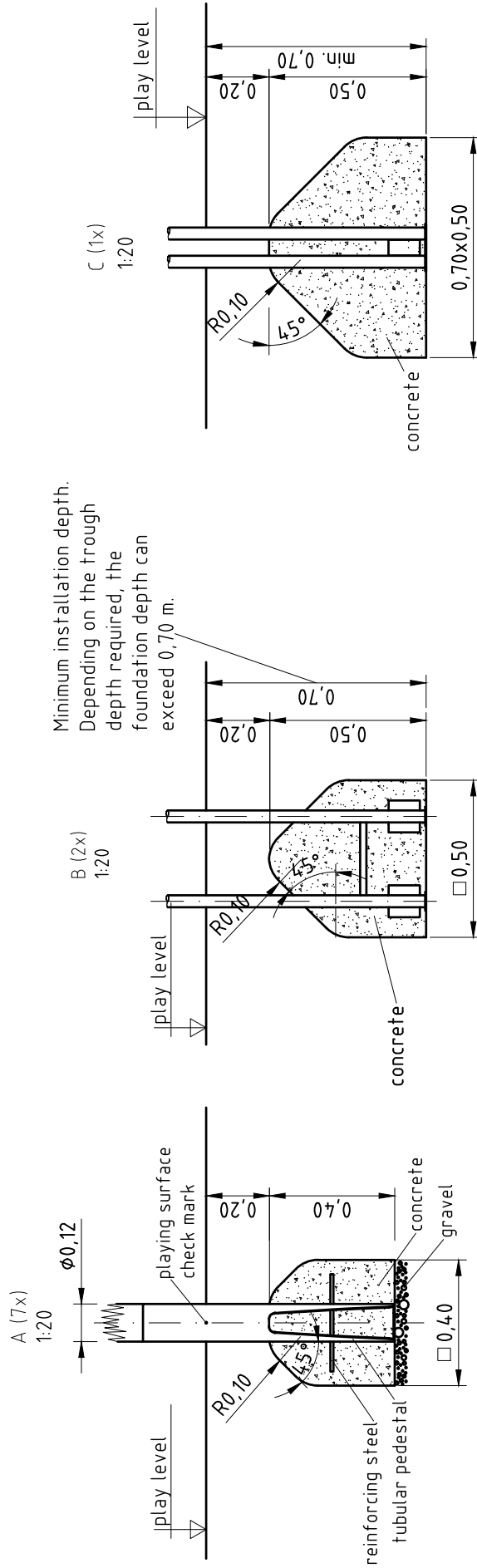
Foundation plan



foundations (on site)
7x 0,40 x 0,40 x 0,40 m
2x 0,50 x 0,50 x 0,50 m
1x 0,50 x 0,70 x 0,50 m

According to the foundation layout, some foundations converge or overlap slightly which permits to connect them.

(approximate) concrete needs
0,9 m³

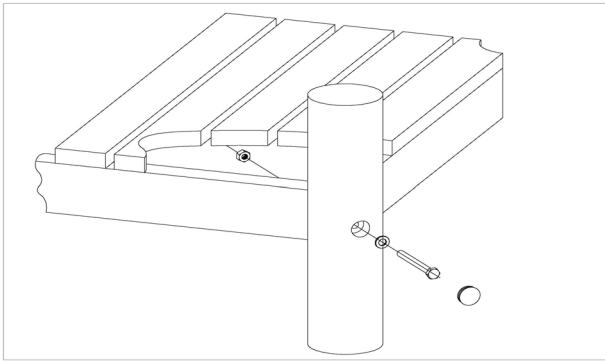


Item: **034400700**
 Water Play Structure
 Location: Building Project:

Order:

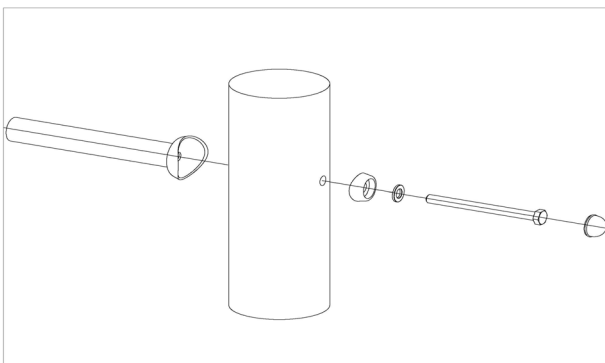
1295005

8 x SFRS1200001 Platform at Robinia post, nut is platform-sided



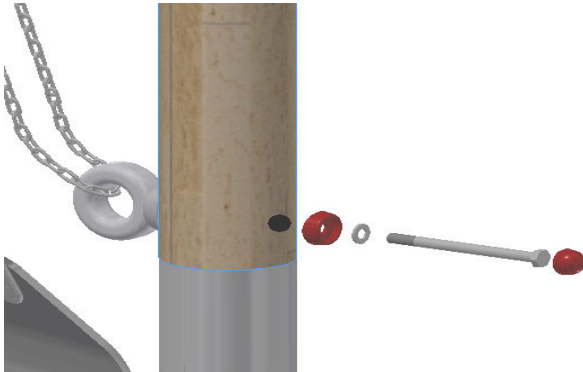
per SC	Total	K&K-Item	Marking
1 x	8 x	3430129	Washer Ø 14 DIN1440 A2
1 x	8 x	3430021	Lock nut M12 DIN985 A2
1 x	8 x	3300016	Grey domed plastic cover cap SL 36 G
1 x	8 x	3400700	Hexagon head screw M12 x 120 DIN931 A2 with screw security coating/FGB red

36 x SFRS1210001 Standard bolting of components to Robinia posts (non-countersunk drilling)



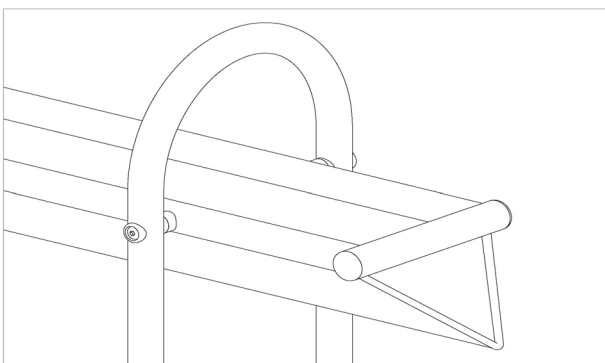
per SC	Total	K&K-Item	Marking
1 x	36 x	3300054	Red protective screw cap - lower part, domed M12
1 x	36 x	3300055	Red protective screw cap - upper part, domed M12
1 x	36 x	3430025	Washer Ø 13 DIN125 A2
1 x	36 x	3400702	Hexagon head cap screw M12 x 160 DIN931 A2 with screw security coating FGB red

1 x SFRS1260003 Fastening of chain of sand pulley to post



per SC	Total	K&K-Item	Marking
1 x	1 x	3300055	Red protective screw cap - upper part, domed M12
1 x	1 x	3300054	Red protective screw cap - lower part, domed M12
1 x	1 x	3400702	Hexagon head cap screw M12 x 160 DIN931 A2 with screw security coating FGB red
1 x	1 x	3430025	Washer Ø 13 DIN125 A2
1 x	1 x	1040731	weld piece/post attachment/twist protection

1 x SFXS1040006 Water trough (S) at support



per SC	Total	K&K-Item	Marking
1 x	1 x	3400286	Dome head security screw-M10x50-Resistorx T45 A

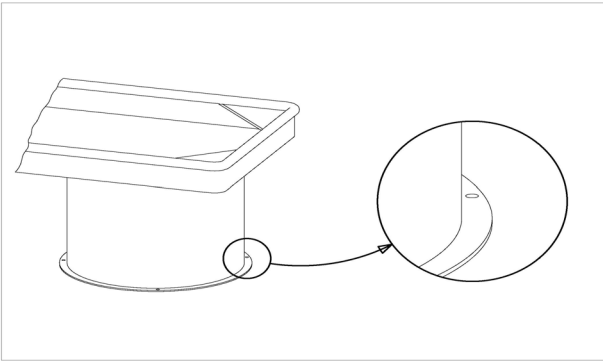
Item: **034400700**
 Water Play Structure
 Location:

Order:

1295005

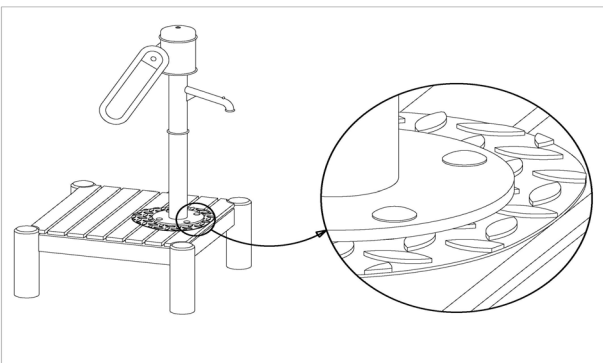
Building Project:

8 x SFXS1040011 Cylinder base plate fastening to foundation



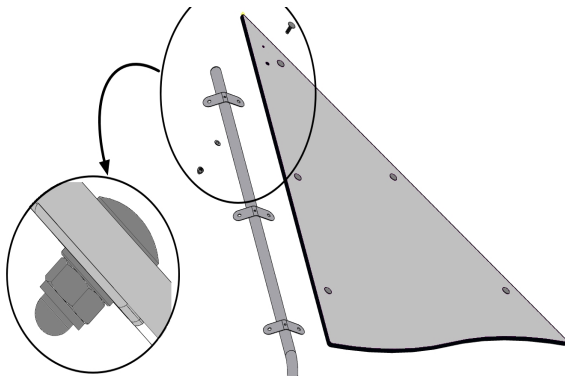
per SC	Total	K&K-Item	Marking
1 x	8 x	1040272	Fastening set water play equipment M10x160 A2 stone bolt/washer/nuts

1 x SFXS1260001 Water pump fastening to platform



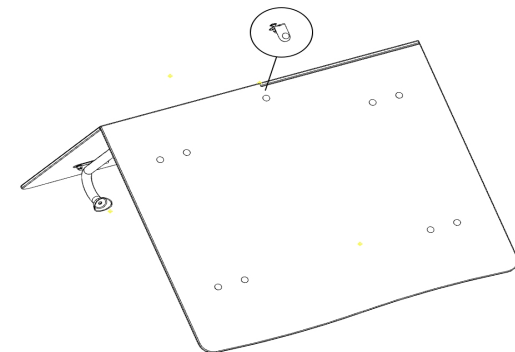
per SC	Total	K&K-Item	Marking
1 x	1 x	3430051	Hexagon cap nut M12 DIN 986 A2
1 x	1 x	3430025	Washer Ø 13 DIN125 A2
1 x	1 x	3400249	Mushroom head screw M12 x 60 DIN603 A2

16 x SFAS1240029 HPL panel fastening to roof pipe support



per SC	Total	K&K-Item	Marking
1 x	16 x	3430014	Washer Ø 10,5 DIN125 form B A2
1 x	16 x	3430011	hexagon cap nut M10 DIN986 A2
1 x	16 x	3400138	mushroom head screw square neck M10x30 DIN 60

1 x SFAS1240031 HPL panel at mounting brackets 90° (inner face)



per SC	Total	K&K-Item	Marking
2 x	2 x	3430011	hexagon cap nut M10 DIN986 A2
2 x	2 x	3430014	Washer Ø 10,5 DIN125 form B A2
1 x	1 x	6240001	Corner plate for gable roof 90°
2 x	2 x	3400138	mushroom head screw square neck M10x30 DIN 60

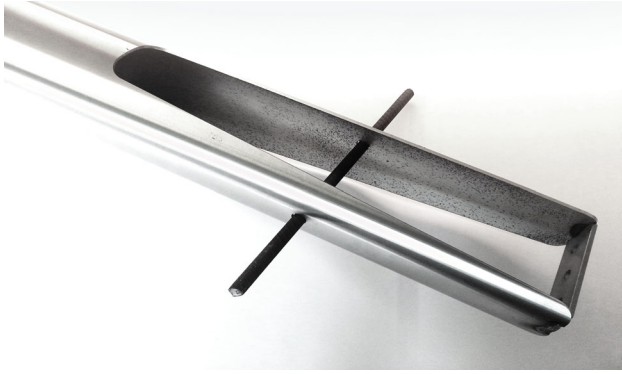
Item: **034400700**
 Water Play Structure
 Location:

Order:

1295005

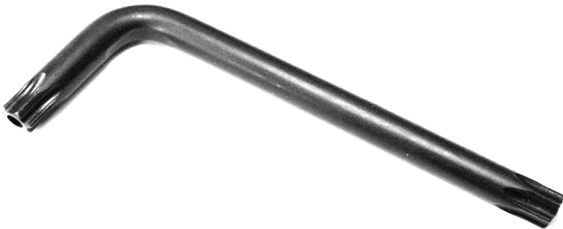
Building Project:

7 x SFAS1270001 Reinforcing steel bar for posts



per SC	Total	K&K-Item	Marking
1 x	7 x	2130000	Reinforcing steel Ø 10 x 310 DIN 488

1 x SFWZ0000002 Security TORX wrench TR45



per SC	Total	K&K-Item	Marking
1 x	1 x	3490033	Allen key security TORX TR45

1 x SFWZ0000012 Lubricating metal (30 g box) incl. brush



per SC	Total	K&K-Item	Marking
1 x	1 x	5300039	Lubricating metal box 30g
1 x	1 x	5200026	Brush for lubricating metal