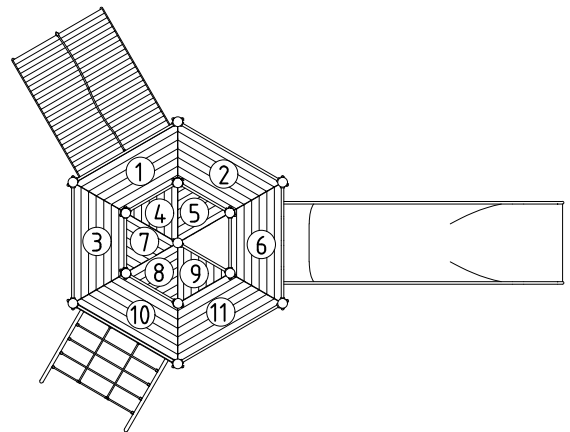
platform orientation  
1:100

1. Assign a device location considering the space requirement (impact area).  
Slide direction recommended: north-east or in half-shade of trees.
2. Excavate soil for foundations, according to drawing.  
Please note: To achieve maximum stability and a safe installation, a moderate level of soil solubility is required.
3. Pour in a drain layer of gravel of approx. 10 cm thickness between the bottom of the tubular pedestals and plain base of foundation.
4. Place posts type A (see foundation layout) according to the corresponding number into the respective foundation hole. Play level mark (=aluminium blind rivet) complies with the installation depth. Align every post by means of the play level mark facing into the same direction (see detail or foundation layout).
5. **For installation of the pre-assembled components and/or single parts, the screws slightly have to be lubricated with installation paste!**  
Screw together platforms and posts by using the respective hole in the mounting brackets (according to chart).

**Tighten all screws after having aligned all components.**

Install the slide exit with an inclination of 5° in sliding direction.

Screw connections see details in list of screw cases attached.

We recommend not to insert the protection caps enclosed before first maintenance as they are only suitable for one-time use (see description in item No. 9).

6. Grout foundations with compressed concrete C20/25, chamfer and round off the edges, cover the foundations with a surface which meets the requirements for impact attenuation so that the critical fall height of the surfacing is equal to, or greater than, the free height of fall of the equipment (acc. to DIN EN 1176-1).
7. Release for play after concrete foundations have set.
9. According to maintenance instructions, check all screw connections after 4-5 weeks and retighten, if necessary. Afterwards cover the screw heads with protection caps as follows: Insert grey protection caps into the countersunk drills (e.g. for platforms). The non-countersunk drills (e.g. for railings or a slide) have to be covered with the red protection caps by placing them onto the base part. Strongly pound them (e.g. by using a plastic mallet) until they audibly snap into the base part groove.

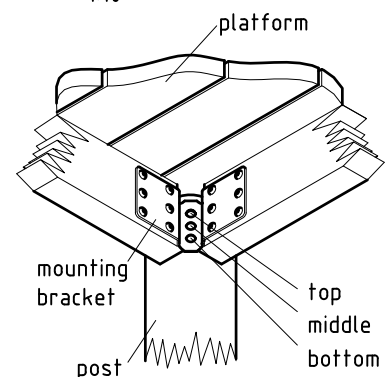
Please ensure that all special tools supplied (e.g. Allen key for secured Allen screws etc.) and all specific documents which are or may be useful for safety management acc. to DIN EN 1176-7 (e.g. invoice, delivery note, order acknowledgement, installation instructions, maintenance instructions) are forwarded to the persons responsible.

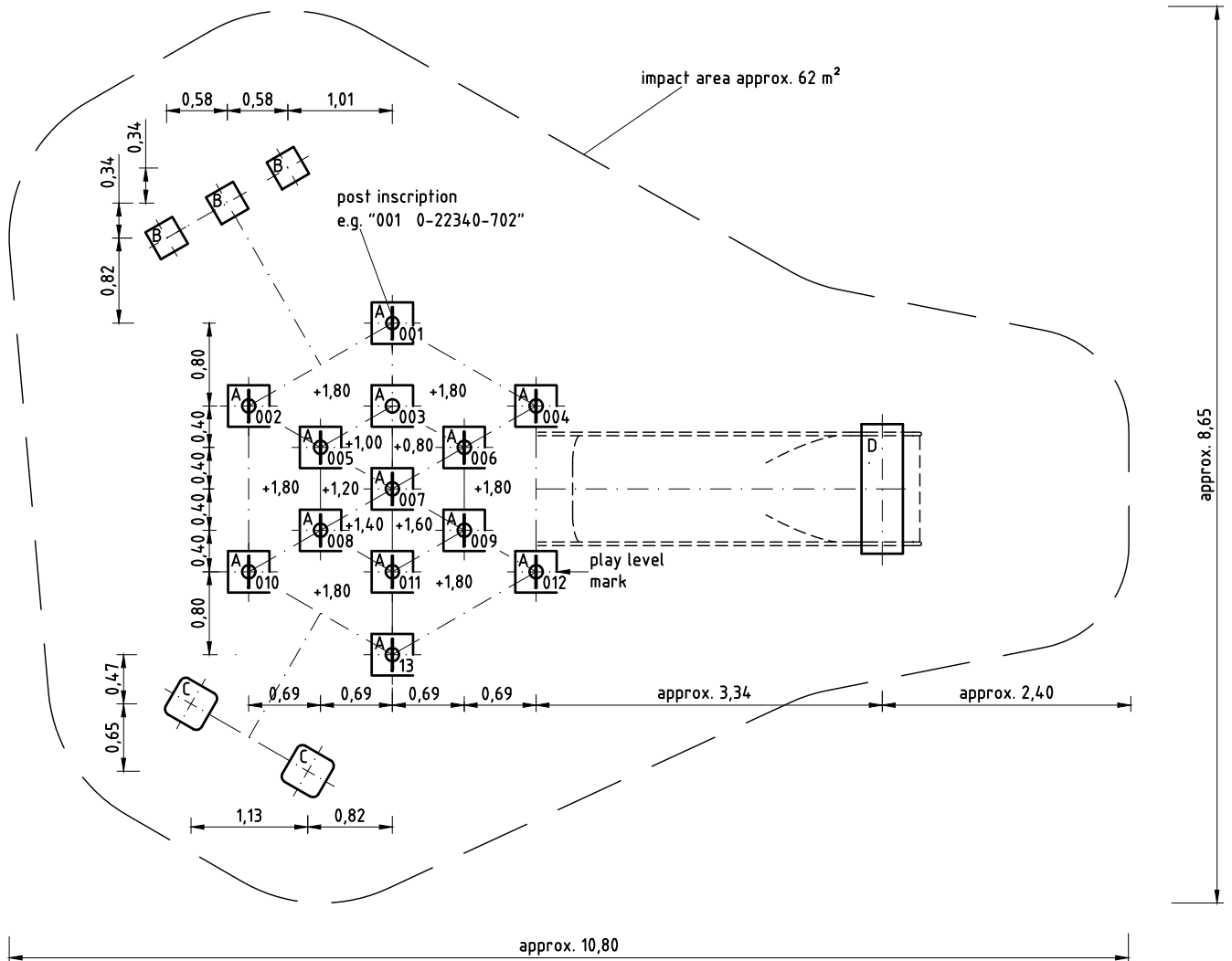
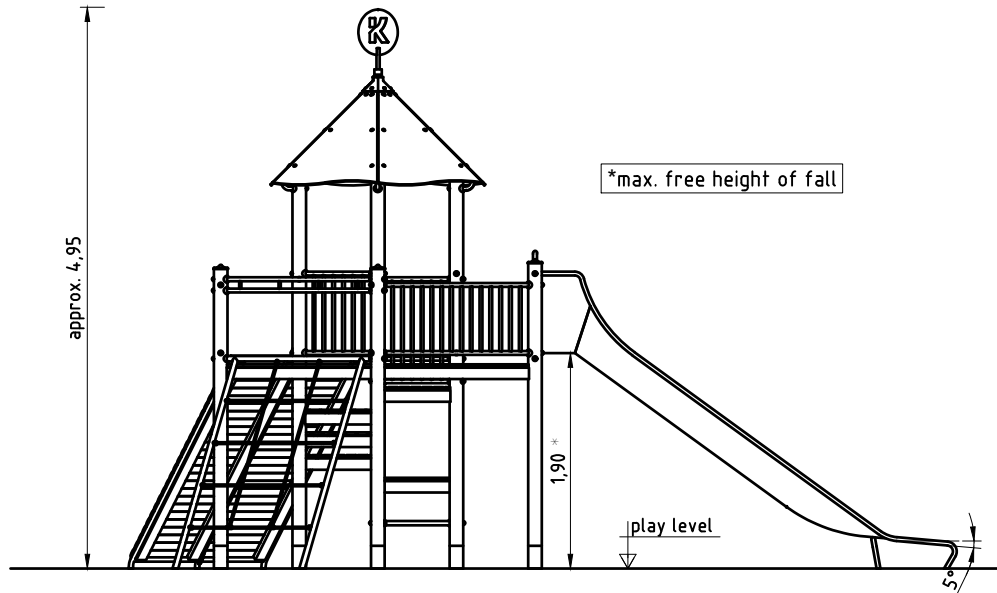
**Necessarily insert all attachment parts (infills, handrails etc.) before tightening the screws.**

**It is NOT possible to insert them afterwards.**

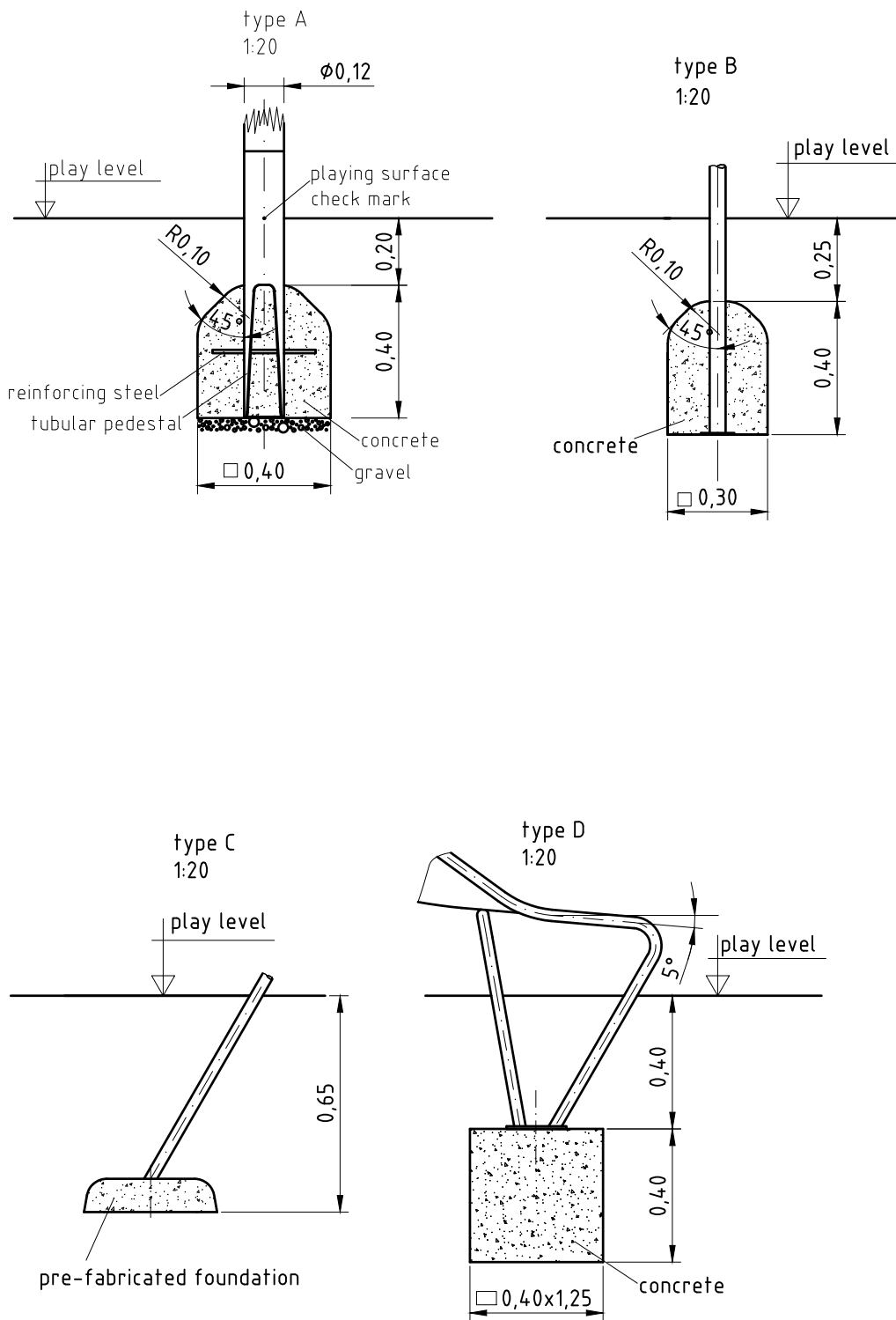
chart platform fastening

platform-nr.	fastening hole		
	above	middle	below
1	x		
2			x
3			x
4		x	
5		x	
6	x		
7		x	
8		x	
9		x	
10	x		
11			x

platform fastening  
1:10



**Please note:**  
 Due to the format size, this installation is not to scale (apart from single details).  
 Please refer to the dimensions indicated.  
 An installation documentation scale 1:50 can be submitted on request.



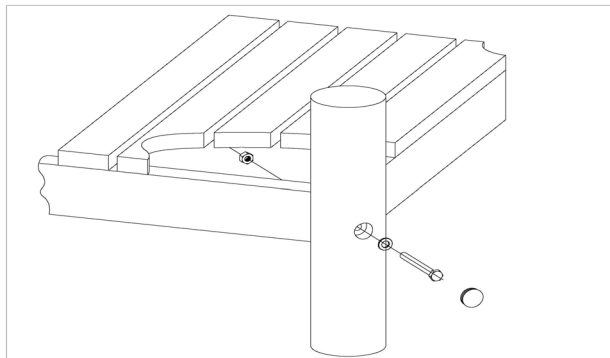
Item: **022340702**  
Climbing combination  
Location:

Order:

1298777

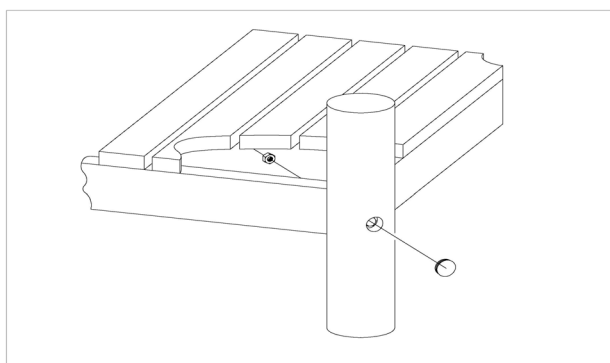
Building Project:

**27 x SFRS1200001 Platform at Robinia post, nut is platform-sided**



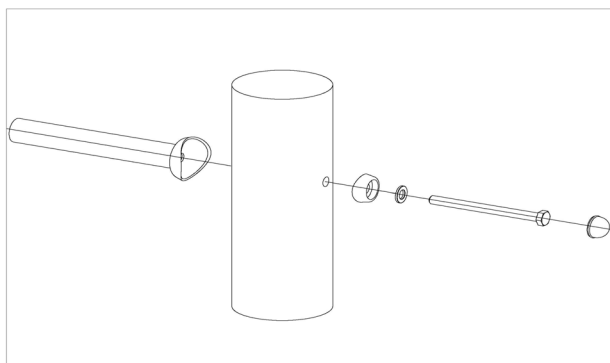
per SC	Total	K&K-Item	Marking
1 x	27 x	3430129	Washer Ø 14 DIN1440 A2
1 x	27 x	3430021	Lock nut M12 DIN985 A2
1 x	27 x	3300016	Grey domed plastic cover cap SL 36 G
1 x	27 x	3400700	Hexagon head screw M12 x 120 DIN931 A2 with screw security coating/FGB red

**12 x SFRS1200004 Platform at Robinia post screw fixed on production**



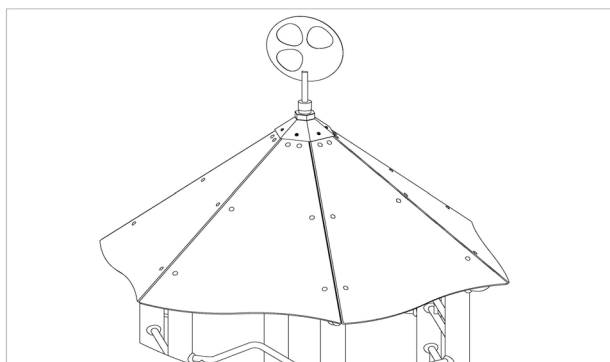
per SC	Total	K&K-Item	Marking
1 x	12 x	3300016	Grey domed plastic cover cap SL 36 G
1 x	12 x	3430021	Lock nut M12 DIN985 A2

**60 x SFRS1210001 Standard bolting of barriers, handrails, slides to Robinia posts**



per SC	Total	K&K-Item	Marking
1 x	60 x	3300055	Red protective screw cap - upper part, domed M12
1 x	60 x	3300054	Red protective screw cap - lower part, domed M12
1 x	60 x	3430025	Washer Ø 13 DIN125 A2
1 x	60 x	3400702	Hexagon head cap screw M12 x 160 DIN931 A2 with screw security coating FGB red

**1 x SFAS1240014 Tent roof 6 x 0,80 m with whirligig HPL plates at stay tubes and wind mobile onto HPL-plates**



per SC	Total	K&K-Item	Marking
36 x	36 x	3430011	hexagon cap nut M10 DIN986 A2
36 x	36 x	3430014	Washer Ø 10,5 DIN125 form B A2
6 x	6 x	3430102	Washer Ø 8.4 DIN9021 A2
6 x	6 x	3400673	Dome head screw M8x20 A2 Security Torx TR40
36 x	36 x	3400138	mushroom head screw square neck M10x30 DIN 60

Item: **022340702**  
Climbing combination  
Location:

Order:

1298777

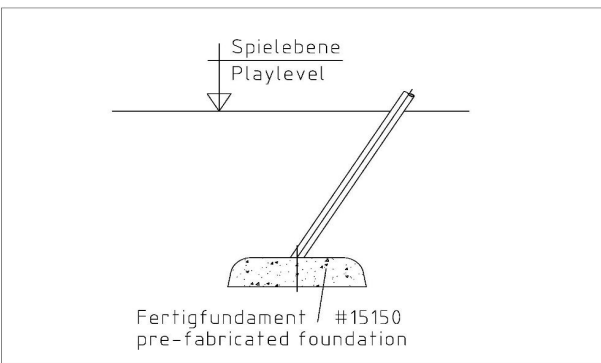
Building Project:

**1 x SFWZ000001 Security TORX wrench TR40**

per SC	Total	K&K-Item	Marking
1 x	1 x	3490081	Security TORX wrench TR40

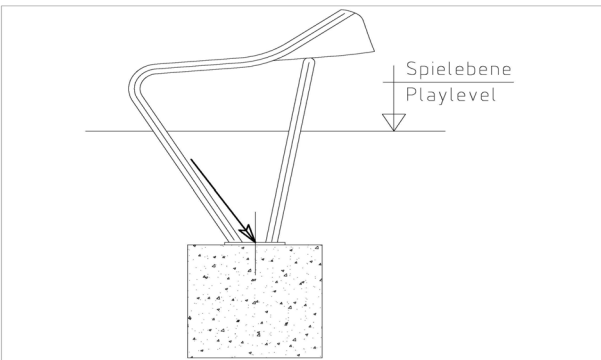


**4 x SFXS1230009 Scramble up net / climbing net fastening to prefabricated foundation**



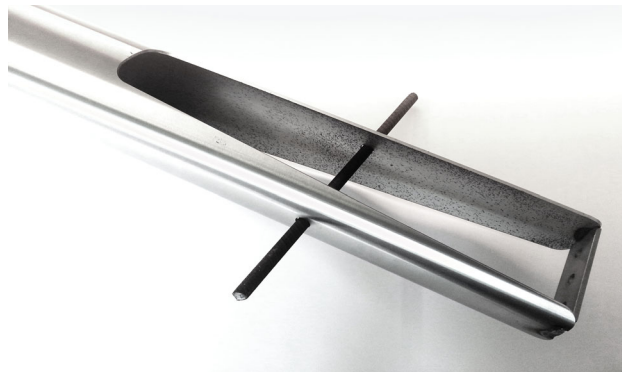
per SC	Total	K&K-Item	Marking
1 x	4 x	3430025	Washer Ø 13 DIN125 A2
1 x	4 x	3400018	Hexagon screw M12 x 25 DIN933 A2

**2 x SFXS1070006 Slide run-out section (up to 2,00 m) on foundation stone bolt assembly**



per SC	Total	K&K-Item	Marking
1 x	2 x	1070365	Set of stone bolts for slide run-out section M12x160

**1 x SFES1270007 Reinforcing steel for tubular pedestals**



per SC	Total	K&K-Item	Marking
1 x	1 x	2130000	Reinforcing steel Ø 10 x 310 DIN 488

Item: **022340702**  
Climbing combination

Order:

1298777

Location:

Building Project:

**13 x SFWZ000012 Lubricating metal (30 g box) incl. brush**



per SC	Total	K&K-Item	Marking
1 x	13 x	5300039	Lubricating metal box 30g
1 x	13 x	5200026	Brush for lubricating metal