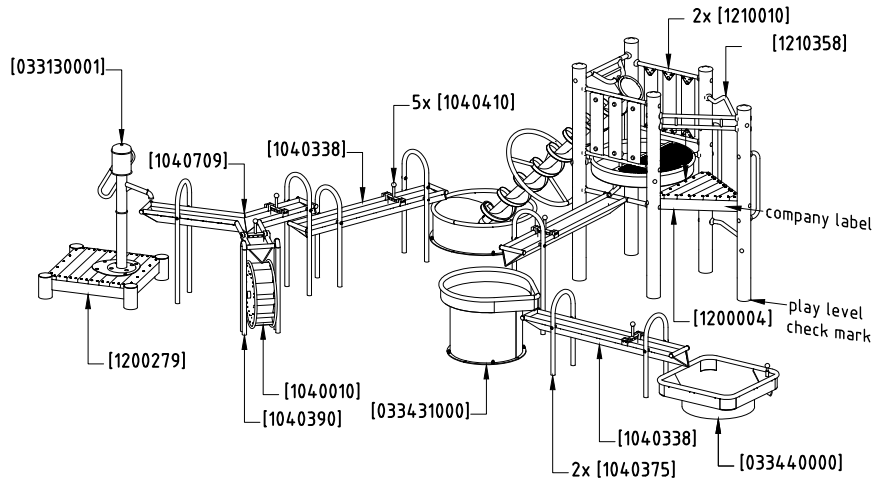
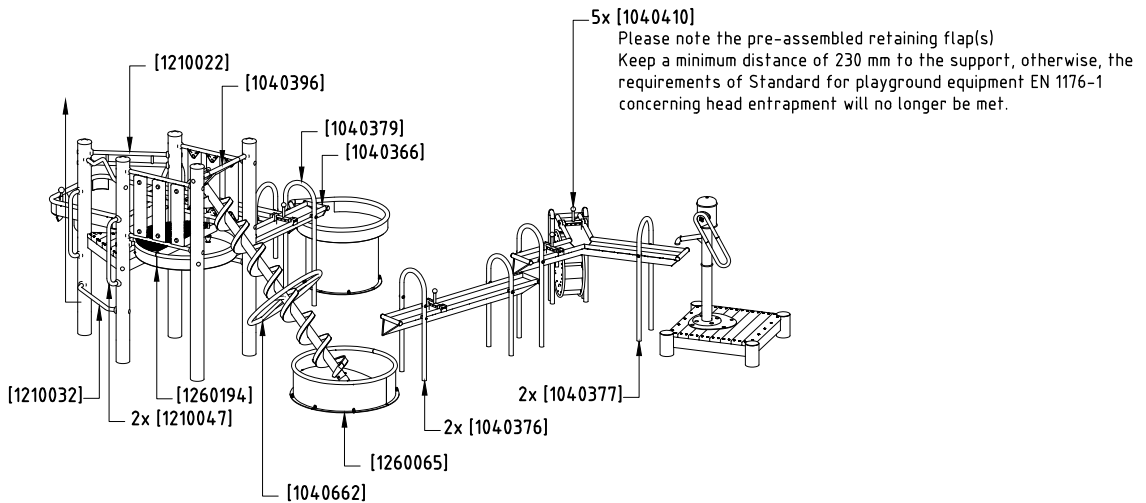


View no. 1



Spatial view no. 2



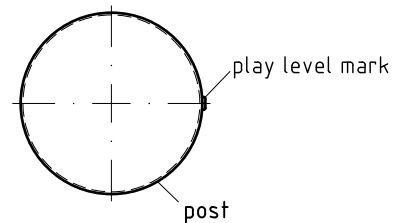
Please also consider separate documentation for water pumps or gargoyles and for (optionally) additional valve combination(s).

Installation instructions

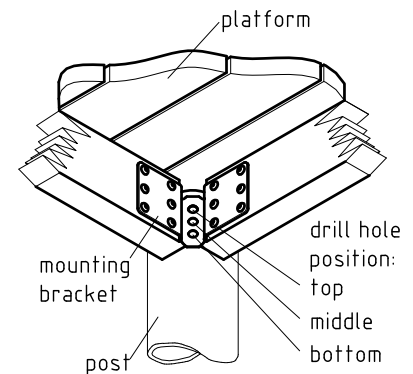
1. Assign a device location considering the space requirement (impact area).
2. Excavate soil for foundations, according to drawing.
Please note: To achieve maximum stability and a safe installation, a moderate level of soil solubility is required.
3. Pour in a drain layer of gravel of approx. 10 cm thickness between the bottom of the posts and plain base of foundation.
4. Insert reinforcing steel into the corresponding holes of the posts.
5. Place posts according to the corresponding number (see foundation layout) into the respective foundation hole. Play level mark (=aluminium blind rivet) complies with the installation depth. Align every post by means of the play level mark facing into the same direction (see detail or foundation layout).
6. **For installation of the pre-assembled components and/or single parts, the screws slightly have to be lubricated with installation paste!**
Screw together platforms and posts by using the resp. hole in the mounting brackets (see corresponding chart).
Tighten all screws after having aligned all components.
Screw connections see details in attached list.
7. Grout foundations with compressed concrete C20/25, chamfer and round off the edges, cover the foundations with a surface which meets the requirement for impact attenuation so that its critical fall height is equal to or greater than the maximum free height of fall of the equipment (acc. to EN 1176-1).
8. Release for play after concrete foundations have set.
9. According to maintenance instructions, check all screw connections after 4-5 weeks and retighten, if necessary. Afterwards cover the screw heads with protective screw caps.

Please ensure that all special tools supplied (e.g. Allen key for secured Allen screws etc.) and all specific documents which are or may be useful for safety management acc. to EN 1176-7 (e.g. invoice, delivery note, order acknowledgement, installation instructions, maintenance instructions) are forwarded to the persons responsible.

detail of play level mark
1:5



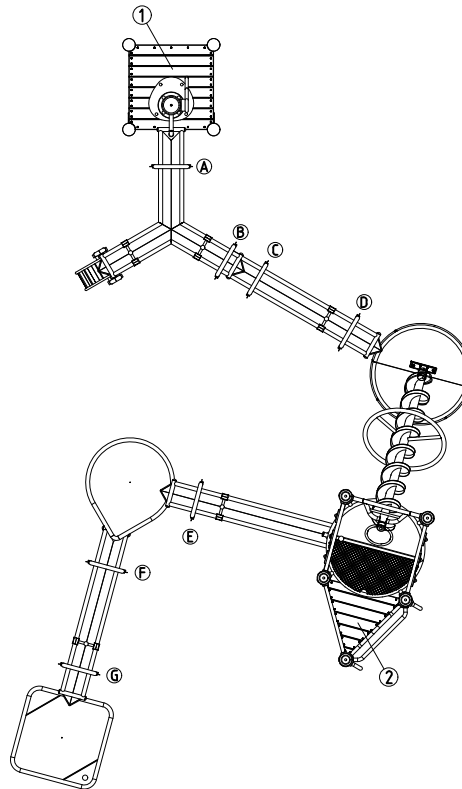
platform fastening
1:10



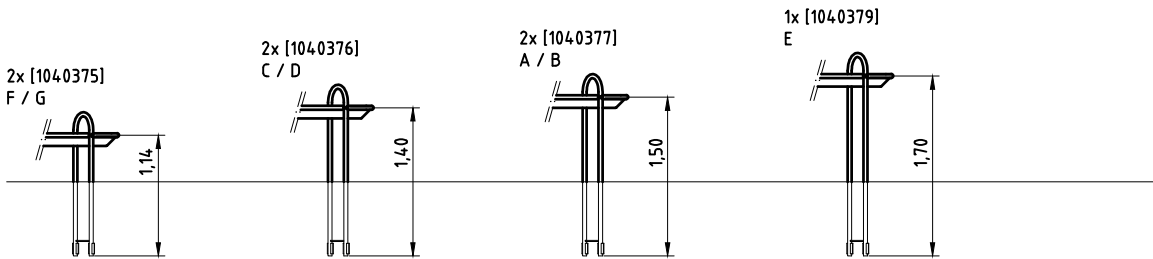
platform orientation/numbers

chart for platform fastenings

No.	height	drill hole position in mounting bracket		
		top	middle	bottom
1	0,20		x	
2	0,95	x		



length of the different types of steel supports
1:50

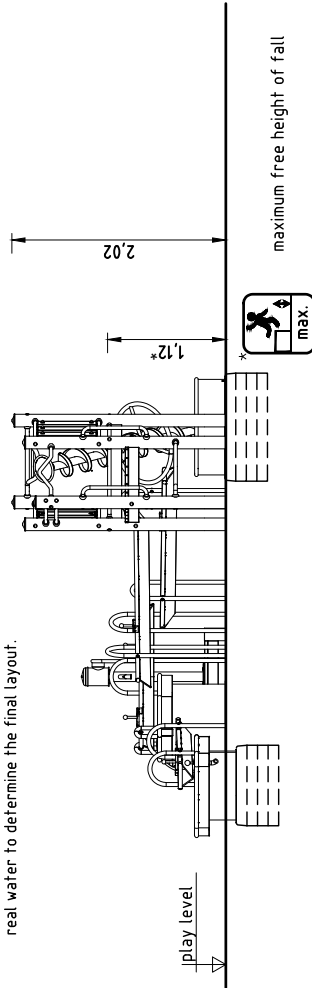


Front view

Fix water trough(s) with 1° inclination within flow direction. For the purpose of whole functionality, we recommend a tentative set-up using real water to determine the final layout.



total height of the equipment

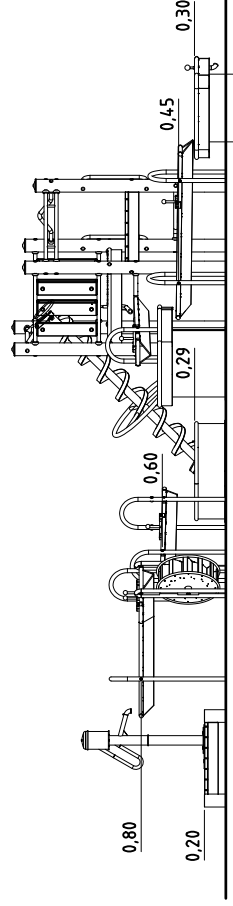


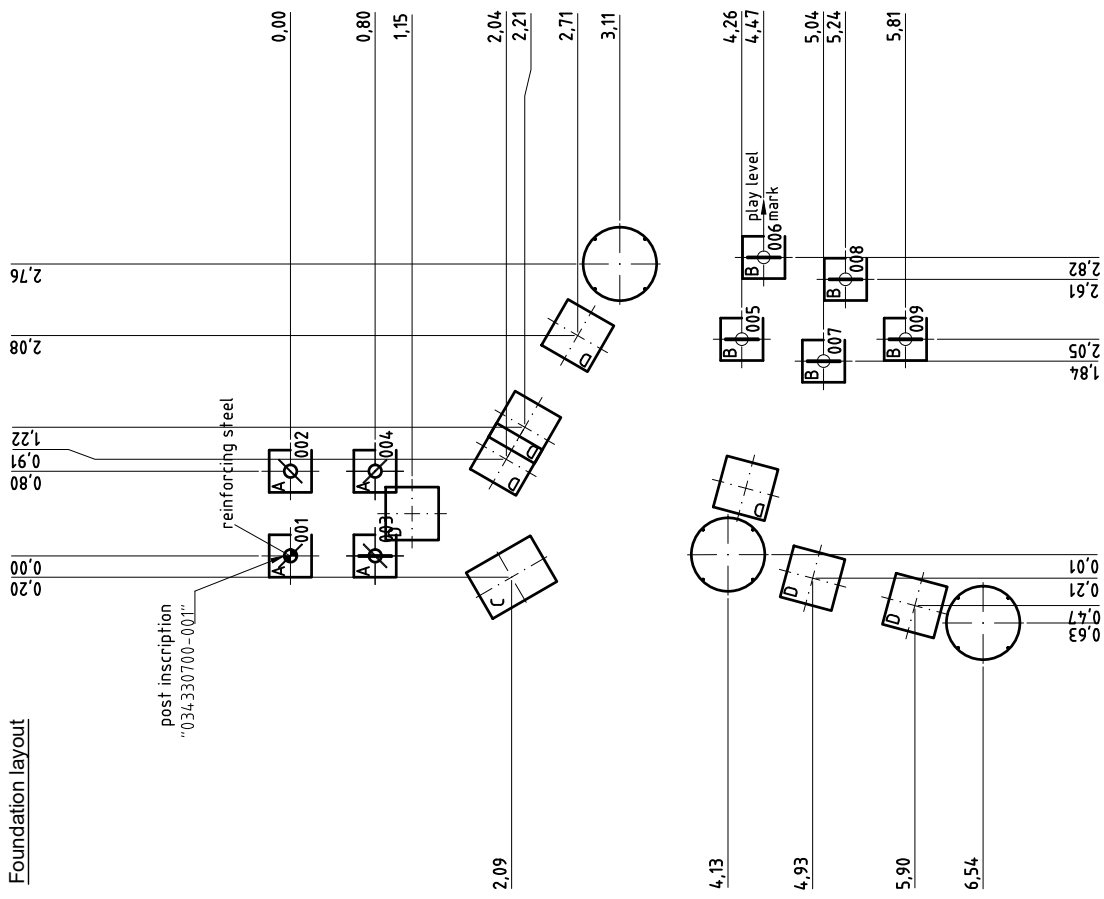
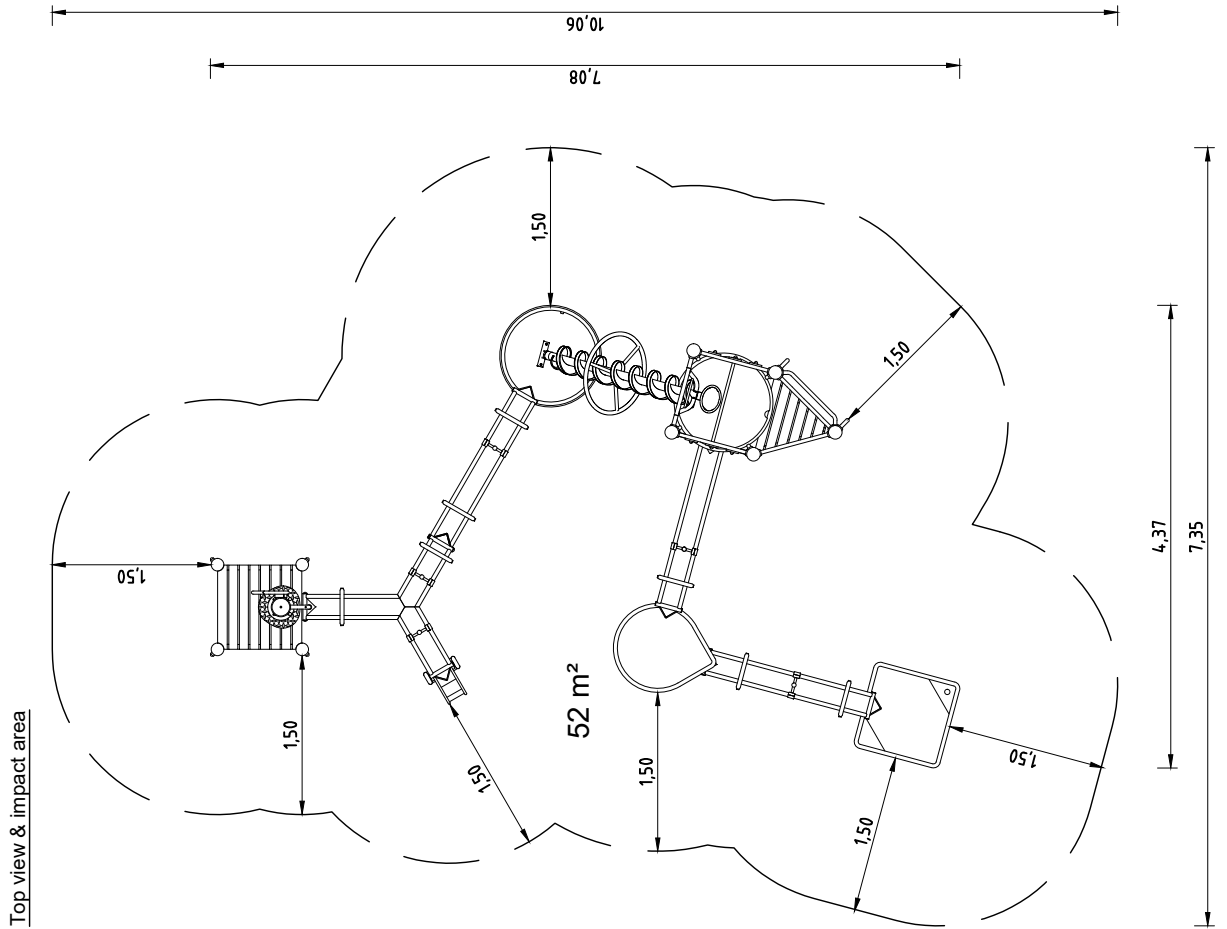
maximum free height of fall

For a stable installation of the waterplay elements, additional (e.g. circular or ring shaped) concrete foundations are necessary. Their dimensions (especially the depth) depend on the soil conditions on site. The waterplay elements can be connected to the foundations either by using concrete dowels or by the stone bolts provided.

View from the left side

Install screw pump with an inclination of 45° to 50°





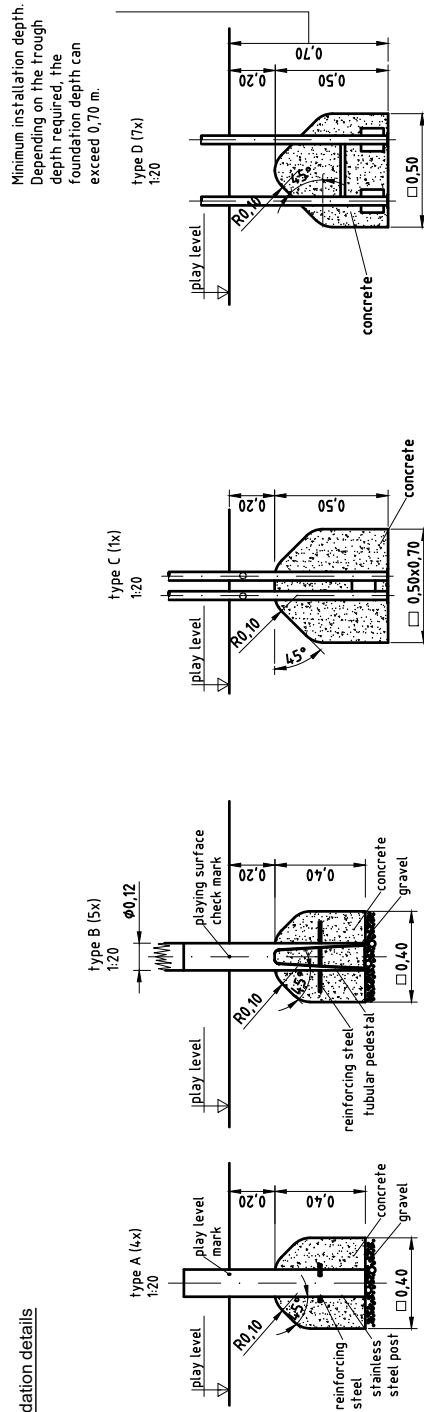
According to the foundation layout, some foundations converge or overlap slightly which permits to connect them.

EN 1176

foundations (on site)
 9x 0.40 x 0.40 x 0.40 m
 7x 0.50 x 0.50 x 0.50 m
 1x 0.50 x 0.50 x 0.70 m

(approximate) concrete needs
 1,7 m³

Foundation details



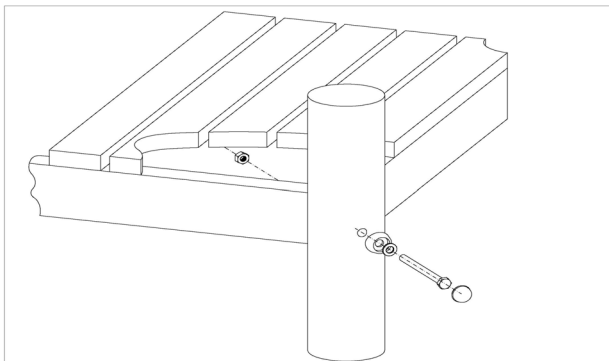
Item: **034330700**
 Water Play Structure
 Location:

Order:

1294740

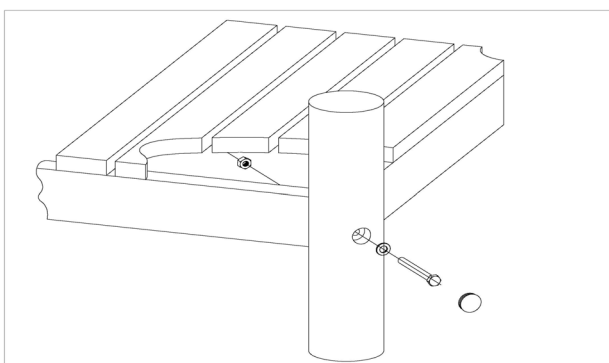
Building Project:

4 x SFES1200014 Platform at stainless steel post/tubular support (hexagon screw with protective cap/nut platform-sided)



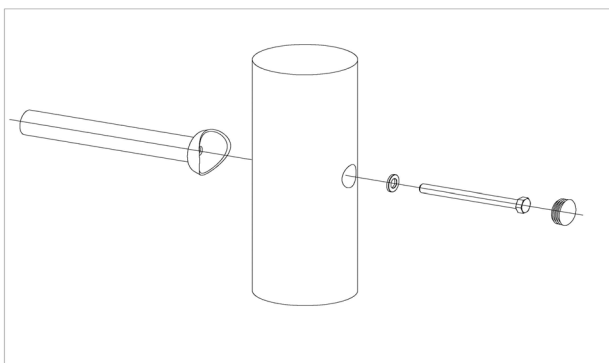
per SC	Total	K&K-Item	Marking
1 x	4 x	3430025	Washer Ø 13 DIN125 A2
1 x	4 x	3300055	Red protective screw cap - upper part, domed M12
1 x	4 x	3300054	Red protective screw cap - lower part, domed M12
1 x	4 x	3430021	Lock nut M12 DIN985 A2
1 x	4 x	3400363	Hexagon head cap screw M12 x 150 DIN931 A2

3 x SFRS1200001 Platform at Robinia post, nut is platform-sided



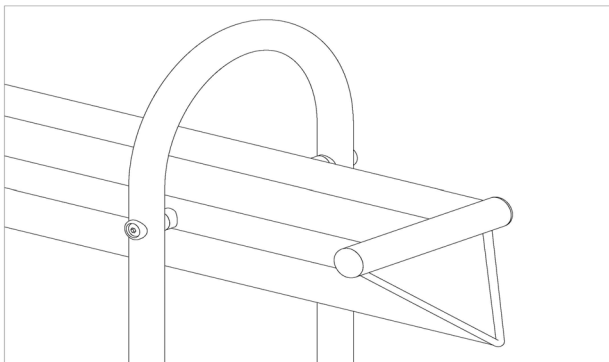
per SC	Total	K&K-Item	Marking
1 x	3 x	3430021	Lock nut M12 DIN985 A2
1 x	3 x	3430129	Washer Ø 14 DIN1440 A2
1 x	3 x	3300016	Grey domed plastic cover cap SL 36 G
1 x	3 x	3400700	Hexagon head screw M12 x 120 DIN931 A2 with screw security coating/FGB red

28 x SFRS1230004 Standard bolting of climbing poles, ramps etc. to Robinia posts with countersunk holes



per SC	Total	K&K-Item	Marking
1 x	28 x	3300016	Grey domed plastic cover cap SL 36 G
1 x	28 x	3430129	Washer Ø 14 DIN1440 A2
1 x	28 x	3400701	Hexagon head cap screw M12 x 130 DIN931 A2 with screw retention coating/FGB red

14 x SFXS1040006 Water trough (S) at support



per SC	Total	K&K-Item	Marking
1 x	14 x	3400286	Dome head security screw-M10x50-Resistorx T45 A

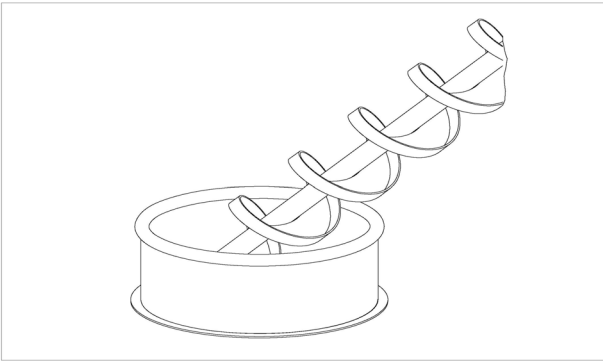
Item: **034330700**
Water Play Structure
Location:

Order:

1294740

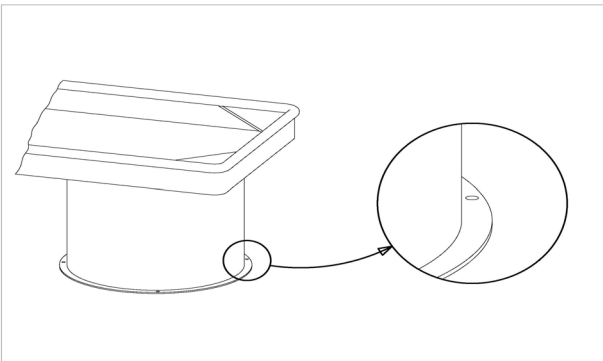
Building Project:

2 x SFXS1040009 Screw pump fixing to bottom basin



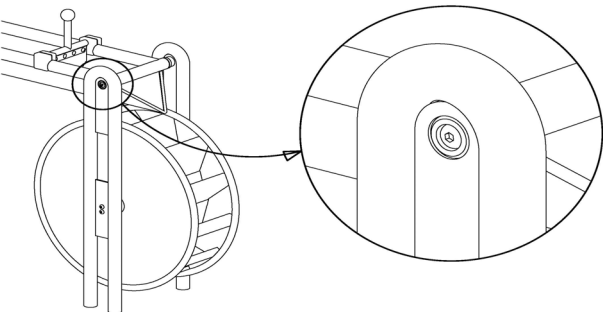
per SC	Total	K&K-Item	Marking
1 x	2 x	3430011	hexagon cap nut M10 DIN986 A2

12 x SFXS1040011 Cylinder base plate fastening to foundation



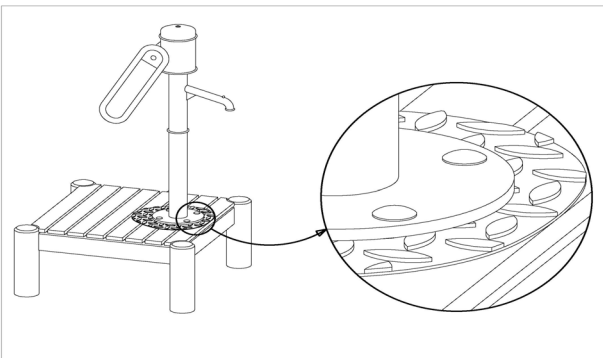
per SC	Total	K&K-Item	Marking
1 x	12 x	1040272	Fastening set water play equipment M10x160 A2 stone bolt/washer/nuts

2 x SFXS1040013 Water trough (S) to support of water wheel



per SC	Total	K&K-Item	Marking
1 x	2 x	3400195	Dome head security screw-M10x30-Resistorx T45 A

4 x SFXS1260001 Water pump fastening to platform



per SC	Total	K&K-Item	Marking
1 x	4 x	3430051	Hexagon cap nut M12 DIN 986 A2
1 x	4 x	3430025	Washer Ø 13 DIN125 A2
1 x	4 x	3400249	Mushroom head screw M12 x 60 DIN603 A2

Item: **034330700**
Water Play Structure

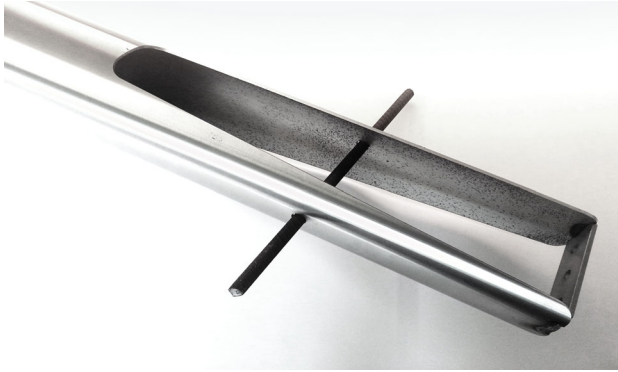
Order:

1294740

Location:

Building Project:

9 x SFAS1270001 reinforcing steel bar for posts



per SC	Total	K&K-Item	Marking
1 x	9 x	2130000	Reinforcing steel Ø 10 x 310 DIN 488

1 x SFWZ0000012 Lubricating metal (30 g box) incl. brush



per SC	Total	K&K-Item	Marking
1 x	1 x	5300039	Lubricating metal box 30g
1 x	1 x	5200026	Brush for lubricating metal