

## Installation instructions

1. Assign a device location considering the space requirements (impact area). Slide direction recommended: north-east or in half-shade of trees.
2. Excavate soil for foundations, according to drawing.  
Please note: To achieve maximum stability and a safe installation, a moderate level of soil solubility is required.
3. Pour in a drain layer of gravel of approx. 10 cm thickness between the bottom of the posts and plain base of foundation.
4. Insert reinforcing steel into the corresponding holes of the posts.
5. Place posts type A according to the corresponding number (see foundation layout) into the respective foundation hole.  
Play level mark (=aluminium blind rivet) complies with the installation depth. Align every post by means of the play level mark facing into the same direction (see detail or foundation layout).

### 6. For installation of the pre-assembled components and/or single parts, the screws slightly have to be lubricated with installation paste!

Screw together platforms and posts by using the middle hole in the mounting brackets.

#### Tighten all screws after having aligned all components.

Install the slide exit with an inclination of 5° in sliding direction.

Screw connections see details in attached list.

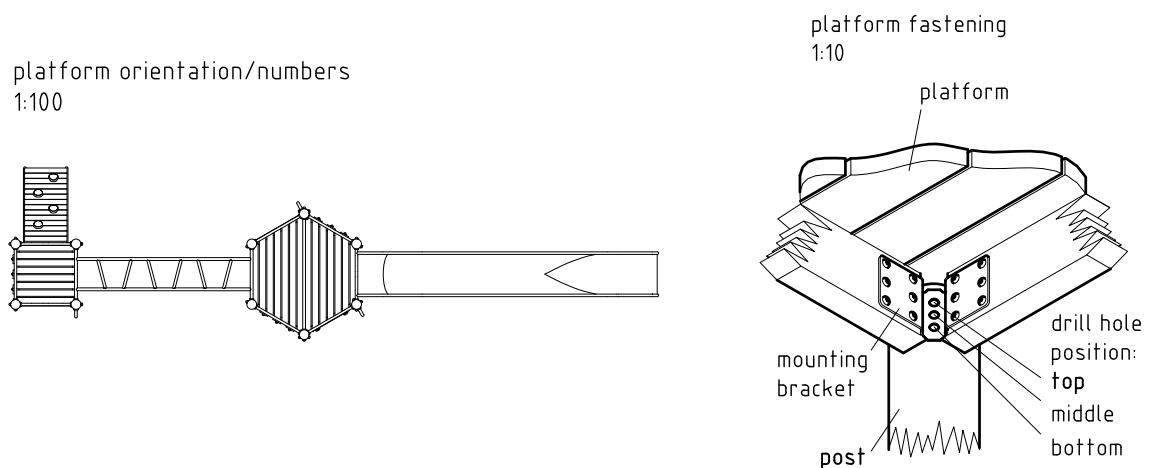
We recommend not to insert the protection caps enclosed before first maintenance as they are only suitable for one-time use (see description in item No. 9).

7. Grout foundations with compressed concrete C20/25, chamfer and round off the edges, cover the foundations with a surface which meets the requirements for impact attenuation so that its critical fall height is equal to or greater than the maximum free height of fall of the equipment (acc. to EN 1176-1). The run-out section fall zone must have surfacing with a critical fall height of at least 1000 mm (acc. to EN 1176-3).
8. Release for play after concrete foundations have set.
9. According to maintenance instructions, check all screw connections after 4-5 weeks and retighten, if necessary.  
Afterwards cover the screw heads with protection caps as follows: Insert grey protection caps into the countersunk drills (e.g. for platforms). The non-countersunk drills (e.g. for railings or a slide) have to be covered with the red protection caps by placing them onto the base part. Strongly pound them (e.g. by using a plastic mallet) until they audibly snap into the base part groove.

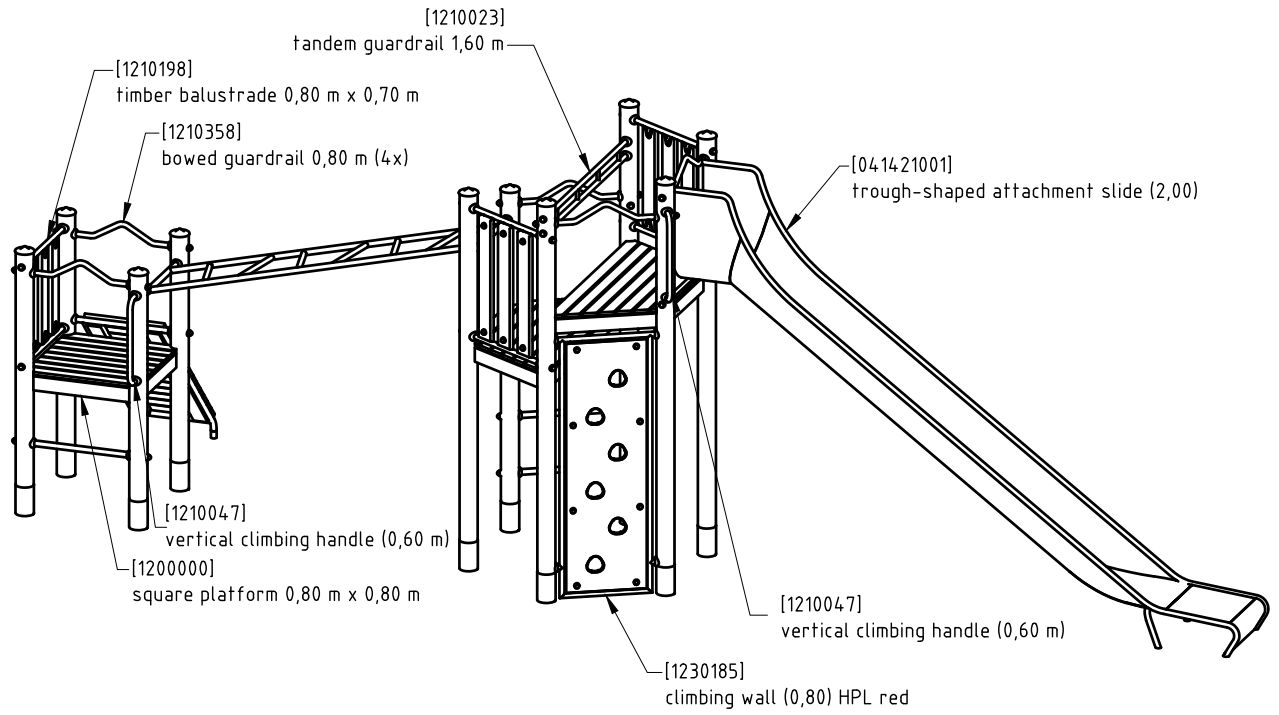
Please ensure that all special tools supplied (e.g. Allen key for secured Allen screws etc.) and all specific documents which are or may be useful for safety management acc. to EN 1176-7 (e.g. invoice, delivery note, order acknowledgement, installation instructions, maintenance instructions) are forwarded to the persons responsible.

**Necessarily insert all attachment parts before tightening the screws.  
It is NOT possible to insert them afterwards.**

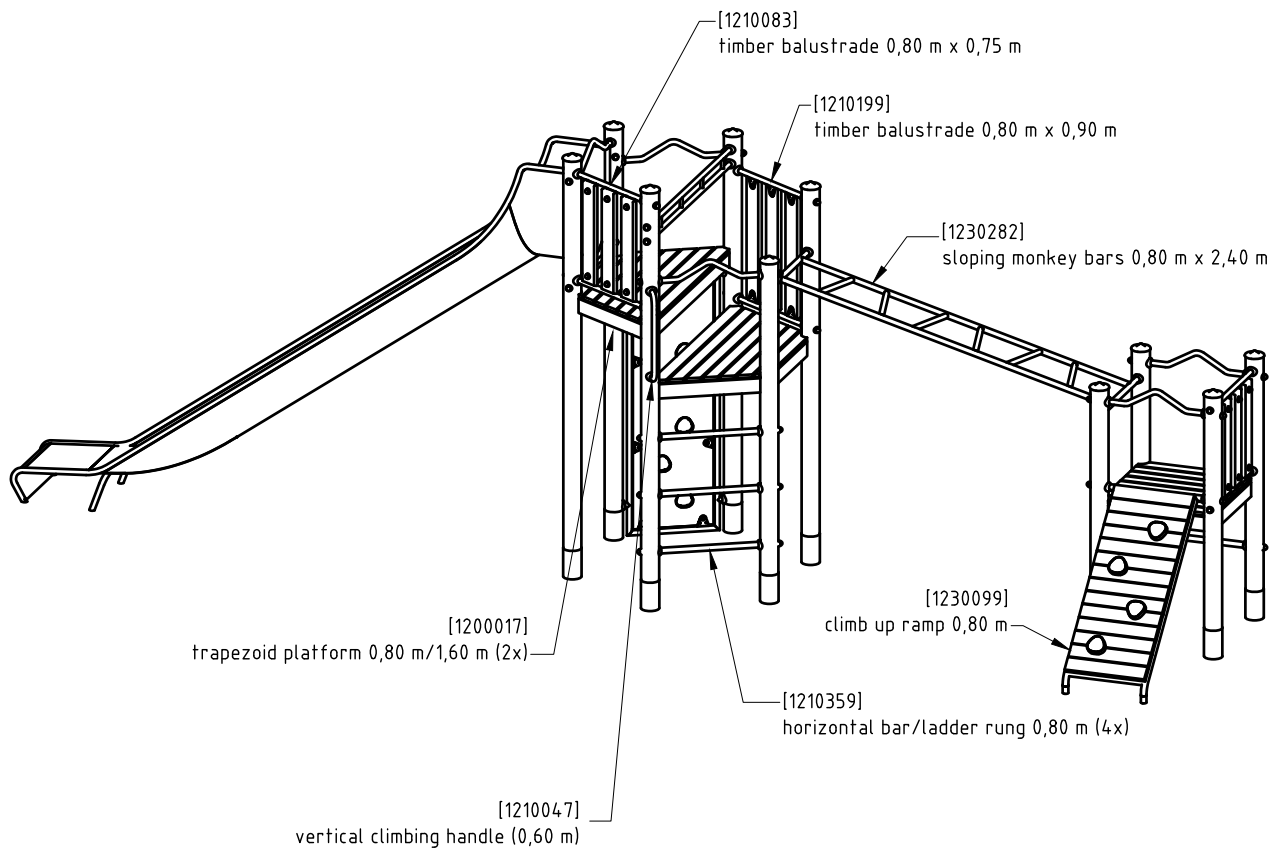
### Mounting hints for platforms



View



View



**Installation**

0-22530-702  
Play structure

Scale  
1:50

Date  
14.06.2022 EB

Page  
2

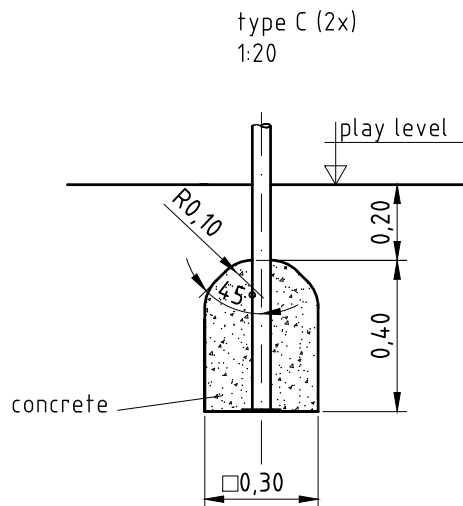
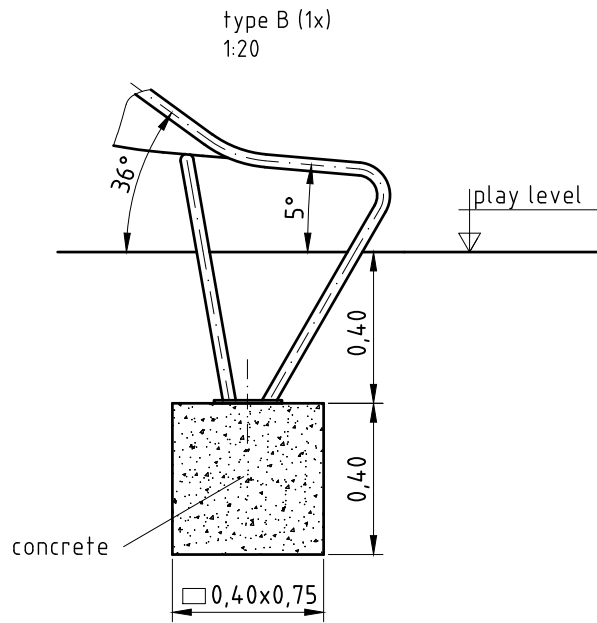
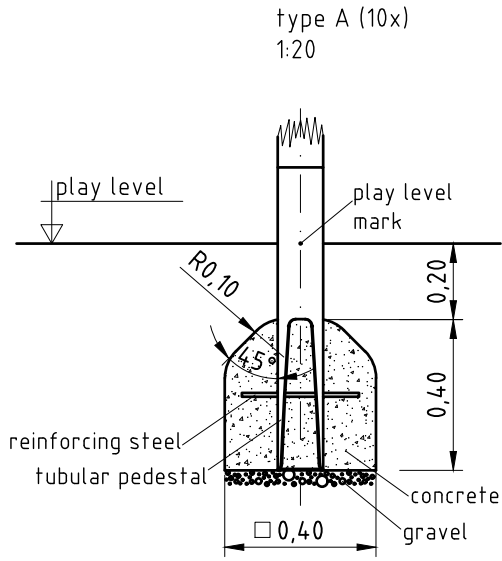
Standard:	EN 1176
-----------	---------

Foundation details

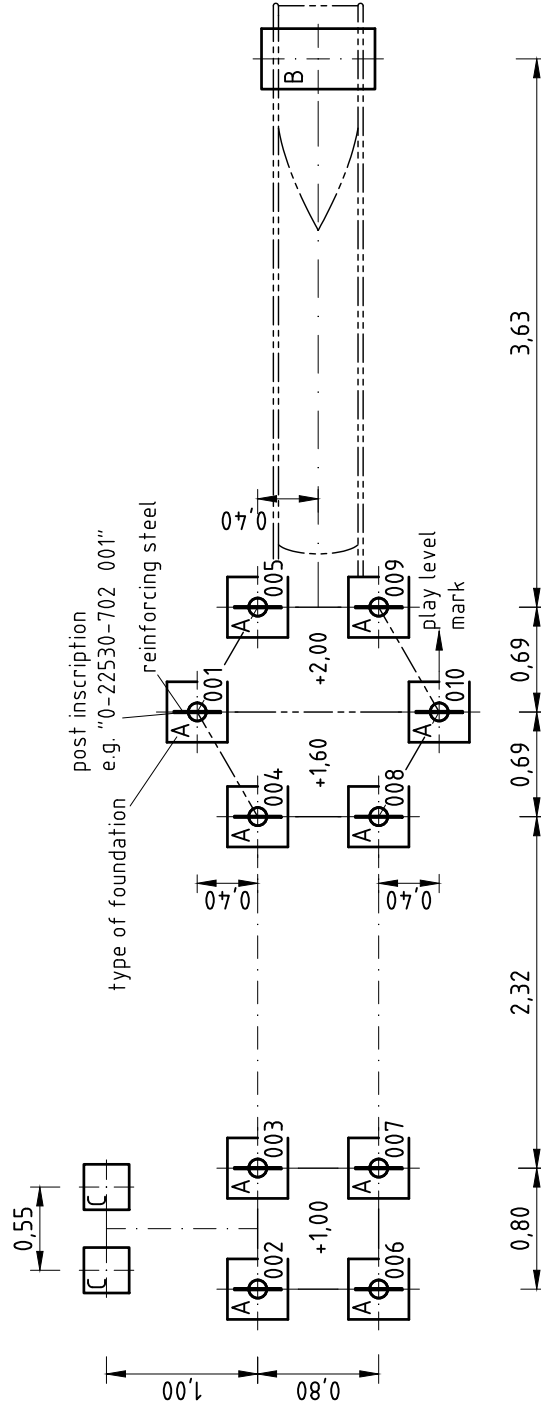
www.kaiser-kuehne.com Tel. +49 42 54 / 93 15-0

© Kaiser & Kühne Freizeitgeräte D-27324 Eystrup

K & K Installation



Foundation plan



# Installation

0-22530-702  
Play structure

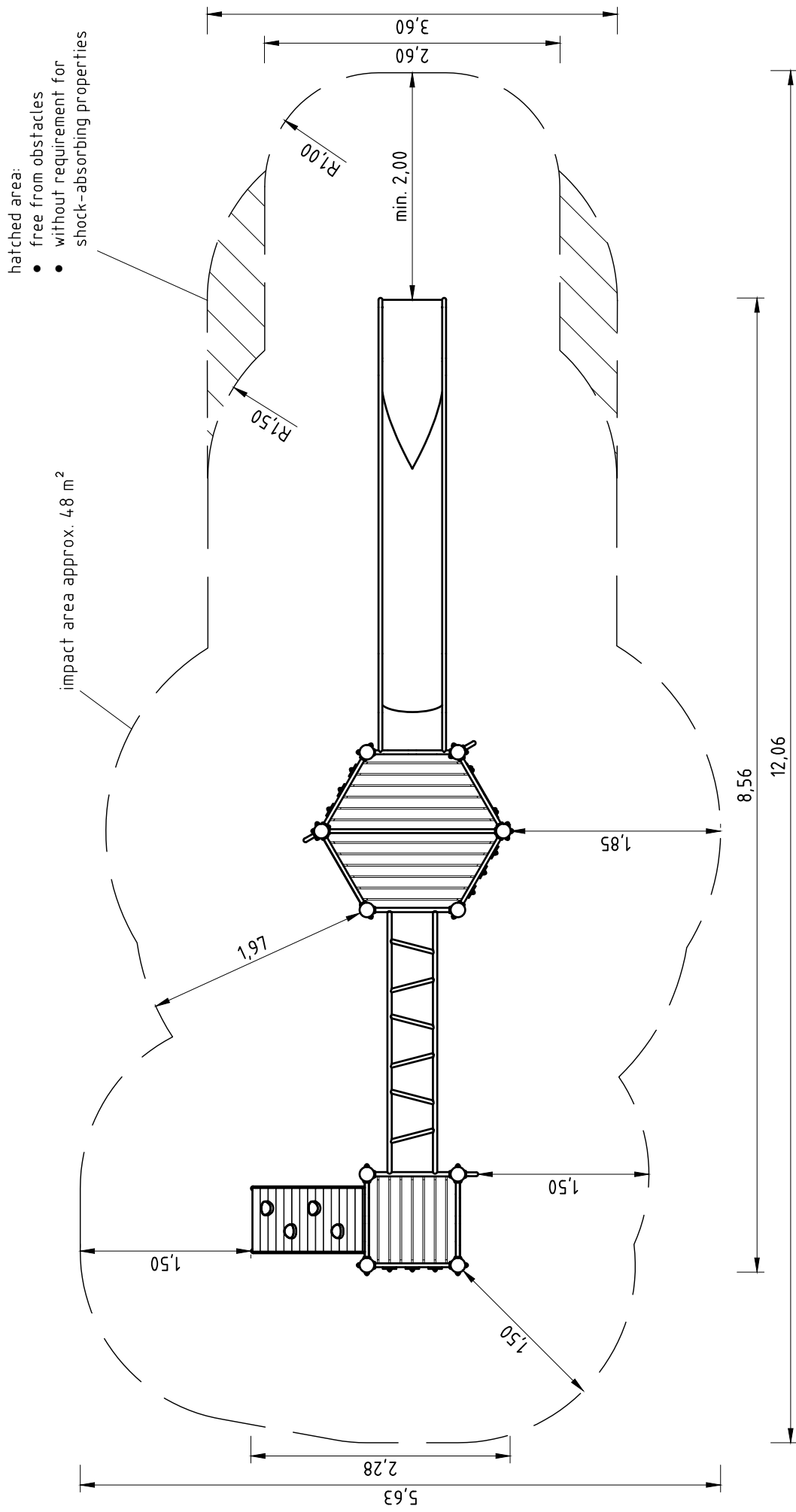
Scale  
1:50

Date  
14.06.2022 EB

Page  
4

Standard:	EN 1176
-----------	---------

Top view & impact area



Installation

Standard: EN 1176

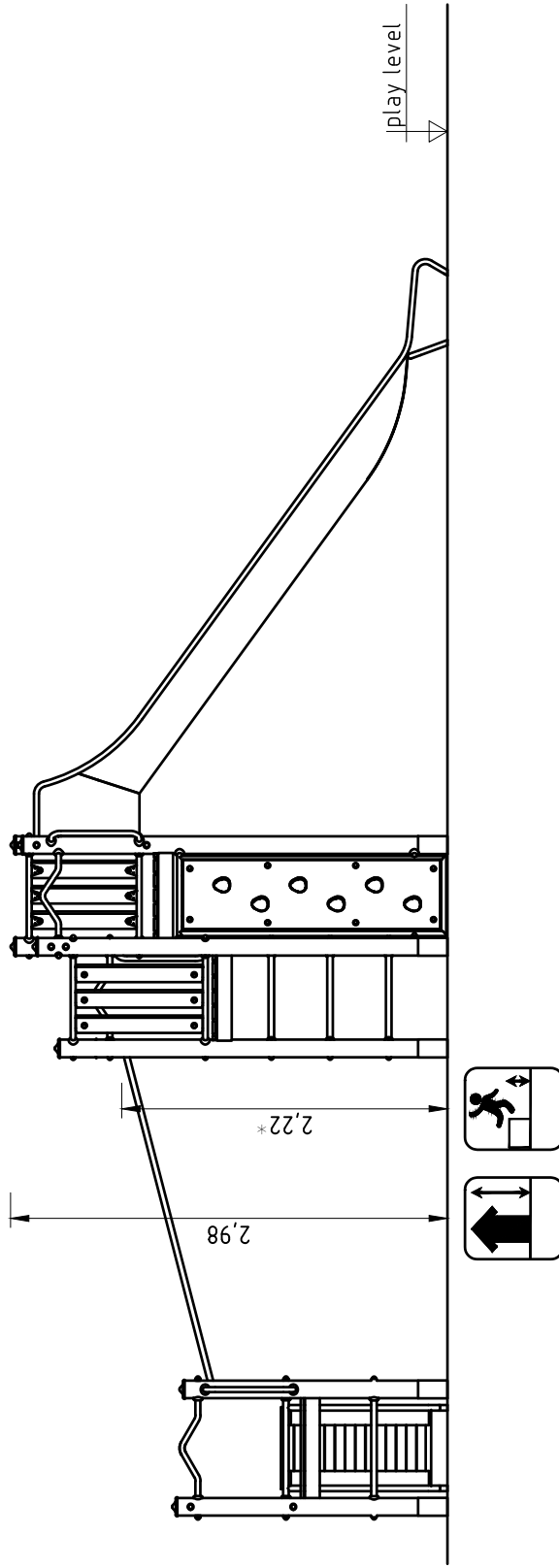
0-22530-702  
Play structure

Scale  
1:50

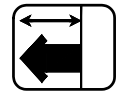
Date  
14.06.2022 EB

Page  
5

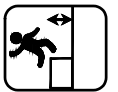
Front view



Legend



dimension mark – total height of the equipment



dimension mark – maximum free height of fall

# Installation

0-22530-702  
Play structure

Scale  
1:50

Date  
14.06.2022 EB

Page  
6

Standard:	EN 1176
-----------	---------

Item: **022530702**

Order:

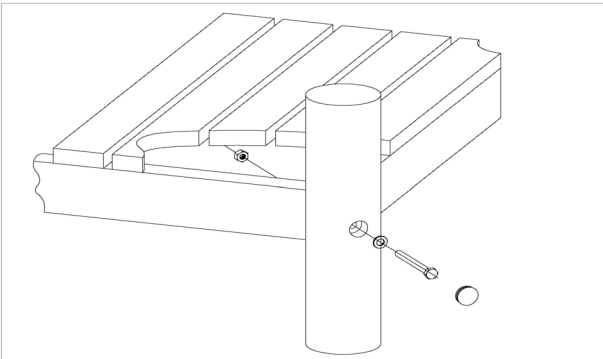
1294756

Play structure

Location:

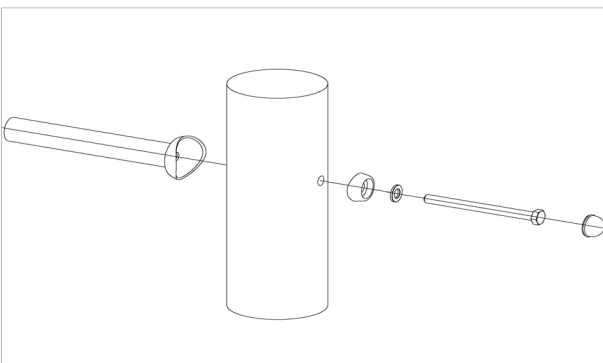
Building Project:

**12 x SFRS1200001 Platform at Robinia post, nut is platform-sided**



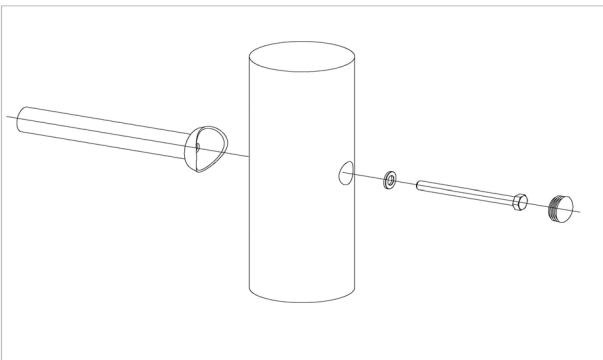
per SC	Total	K&K-Item	Marking
1 x	12 x	3430129	Washer Ø 14 DIN1440 A2
1 x	12 x	3430021	Lock nut M12 DIN985 A2
1 x	12 x	3300016	Grey domed plastic cover cap SL 36 G
1 x	12 x	3400700	Hexagon head screw M12 x 120 DIN931 A2 with screw security coating/FGB red

**44 x SFRS1210001 Standard bolting of barriers, handrails, slides to Robinia posts**



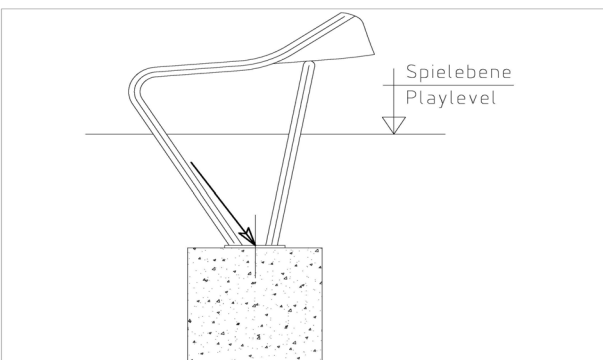
per SC	Total	K&K-Item	Marking
1 x	44 x	3300054	Red protective screw cap - lower part, domed M12
1 x	44 x	3300055	Red protective screw cap - upper part, domed M12
1 x	44 x	3430025	Washer Ø 13 DIN125 A2
1 x	44 x	3400702	Hexagon head cap screw M12 x 160 DIN931 A2 with screw security coating FGB red

**8 x SFRS1230004 Standard bolting of climbing poles, ramps etc. to Robinia posts with countersunk holes**



per SC	Total	K&K-Item	Marking
1 x	8 x	3300016	Grey domed plastic cover cap SL 36 G
1 x	8 x	3430129	Washer Ø 14 DIN1440 A2
1 x	8 x	3400701	Hexagon head cap screw M12 x 130 DIN931 A2 with screw retention coating/FGB red

**2 x SFXS1070006 Slide run-out section (up to 2,00 m) on foundation stone bolt assembly**



per SC	Total	K&K-Item	Marking
1 x	2 x	1070365	Set of stone bolts for slide run-out section M12x160

Item: **022530702**

Order:

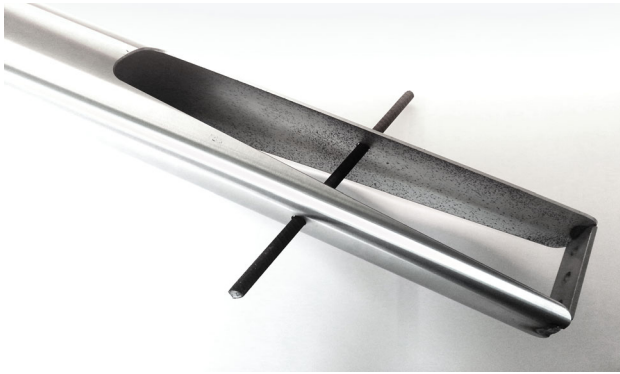
1294756

Play structure

Location:

Building Project:

**10 x SFAS1270001 reinforcing steel bar for posts**



per SC	Total	K&K-Item	Marking
1 x	10 x	2130000	Reinforcing steel Ø 10 x 310 DIN 488

**1 x SFWZ0000012 Lubricating metal (30 g box) incl. brush**



per SC	Total	K&K-Item	Marking
1 x	1 x	5300039	Lubricating metal box 30g
1 x	1 x	5200026	Brush for lubricating metal