

A Installation with expansion anchor

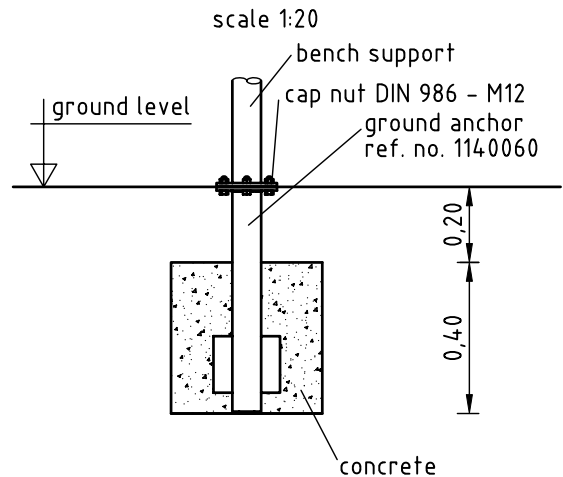
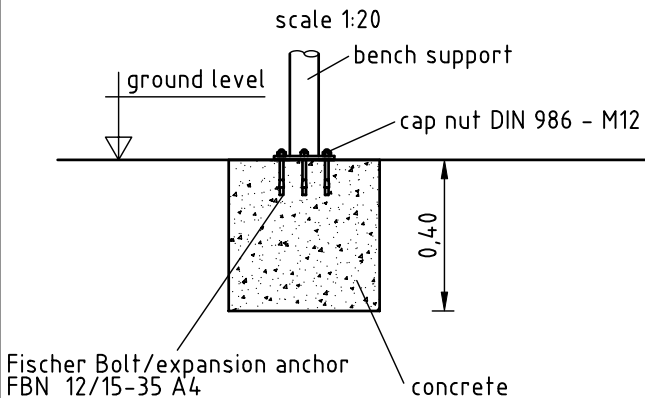
1. Assign location of bench considering the space requirement.
2. Excavate soil for foundations, according to drawing.
3. After concrete foundations have set drill holes for expansion anchor acc. to attached installation instructions for expansion anchor. Use bench as drilling jig.
4. Drive in bolts into holes. Bolt together bench with expansion anchor.

Tools: socket spanner 19 and hammer drill with drill bit \varnothing 12 mm

B Installation with ground anchoring (optional)

1. Assign location of bench considering the space requirement.
2. Excavate soil for foundations, according to drawing.
3. Bolt together bench with ground anchors, put into holes of foundations, align and support it.
4. Grout in foundations with compressed concrete PG75 and cover with sand 0.20 m
5. Release bench after concrete foundations have set.

Tools: socket spanner 19



Art.-Nr.

Bezeichnung

Maßstab

Stand