

(A) Installation with expansion anchor

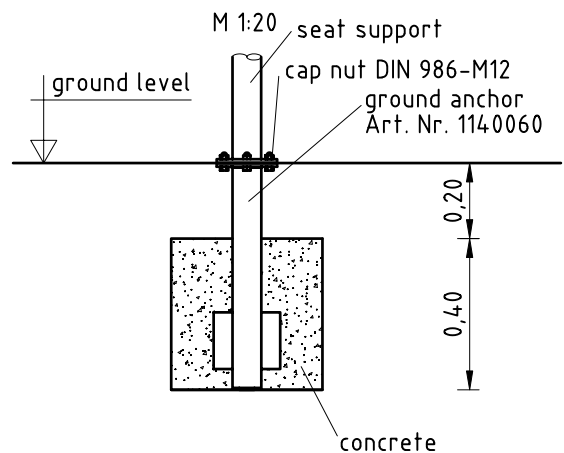
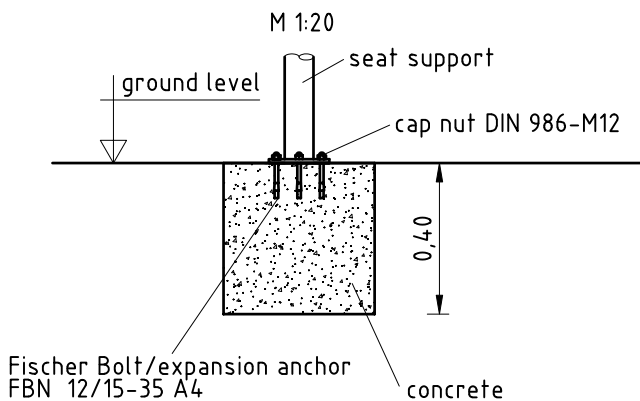
1. Assign location of seat considering the space requirement.
2. Excavate soil for the foundation, according to drawing.
3. After concrete the foundation has set drill holes for expansion anchor acc. to attached installation instructions for expansion anchor. Use seat as drilling jig.
4. Drive in bolts into holes. Bolt together seat with expansion anchor.

Tools: socket spanner 19 and hammer drill with drill bit $\phi 12\text{mm}$

(B) Installation with ground anchoring (optional)

1. Assign location of seat considering the space requirement.
2. Excavate soil for the foundation, according to drawing.
3. Bolt together seat with ground anchor, put into the hole of foundation, align and support it.
4. Grout in the foundation with compressed concrete C20/25 and cover with sand 0,20m.
5. Release the seat after concrete the foundation has set.

Tools: socket spanner 19



Art.-Nr.	Bezeichnung
0-60420-000	K&K Seat
0-60422-000	

Maßstab	Stand
1:50	03/09 Li