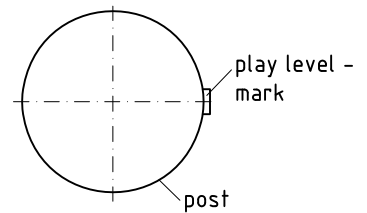
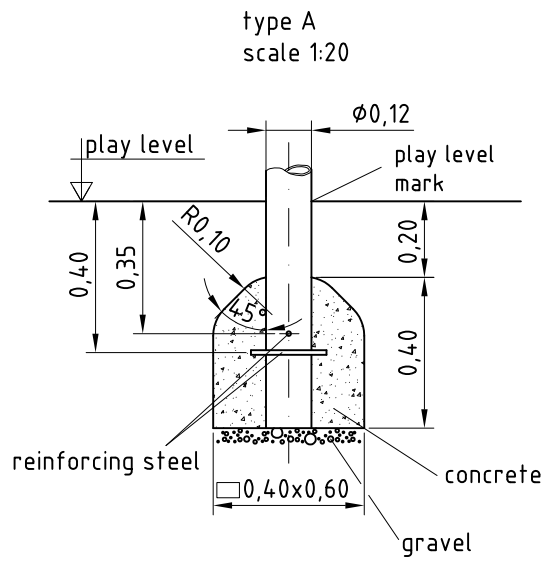
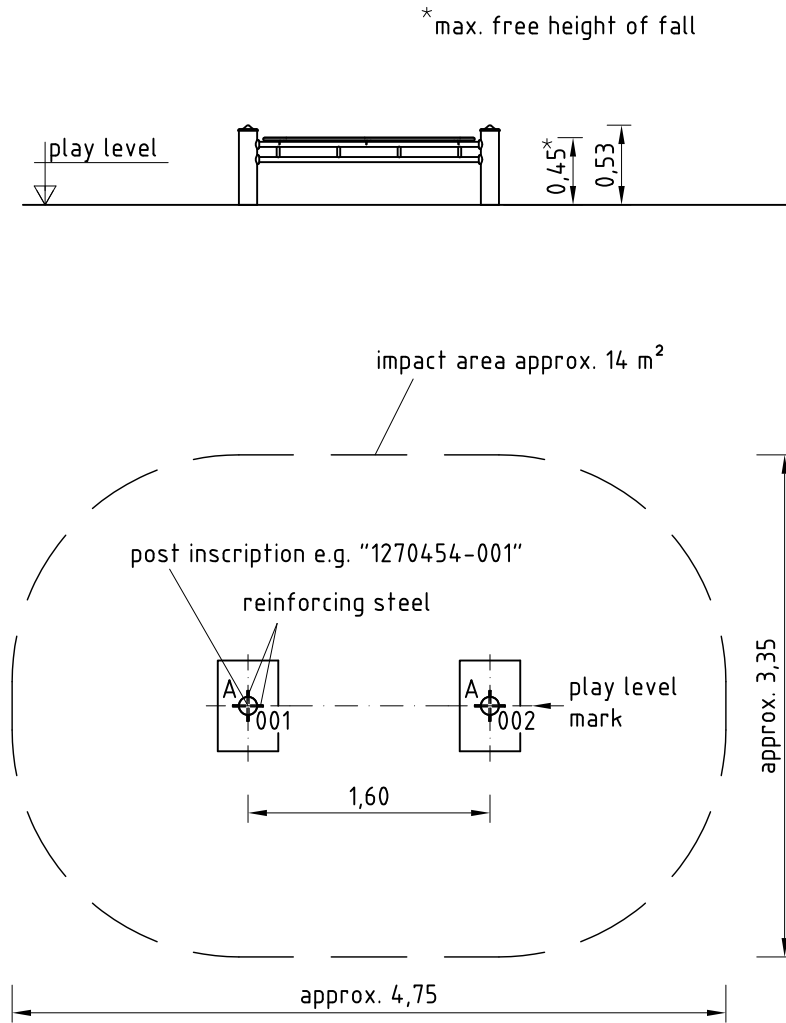


1. Assign location of equipment considering the space requirement (impact area).
2. Excavate soil for foundations, acc. to drawing. Please note: To achieve maximum stability and a safe installation, a moderate level of soil solubility is required.
3. Pour in a drain layer of gravel of approx. 10 cm thickness between the bottom of the steel posts and plain base of foundation.
4. Insert reinforcing steel into the corresponding holes of the steel posts.
5. Place posts type A (see foundation layout) according to the corresponding number (e.g. 1270454-001) into the respective foundation hole. Play level mark (=aluminium blind rivet) complies with the installation depth. Align every post by means of the play level mark facing into the same direction (see detail or foundation layout).
6. **Attention! For installation of the pre-assembled components and/or single parts; the screws slightly have to be lubricated with installation paste!**
Tighten all screws after having aligned all components.
Screw connections see details in attached list of screw cases.
7. Grout foundations with compressed concrete C20/25, chamfer and round off the edges, cover the foundations with a surface which meets the requirements for impact attenuation so that the critical fall height of the surfacing shall be equal to, or greater than, the free height of fall of the equipment (acc. to EN 1176-1).
8. Release for play after concrete foundations have set.
9. Check all screw connections acc. to maintenance instructions after 4-5 weeks and retighten, if necessary.

Please take care that all special tools (e.g. special Allen key for secured Allen screws etc.) and all specific documents which are or may be useful for safety management acc. to EN 1176-7 (e.g. invoice, delivery note, order acknowledgement, installation instructions, maintenance instructions) are forwarded to the persons responsible.

detail of play level mark
scale 1:5





Item: **0-60151-500**
K&K Wavebench

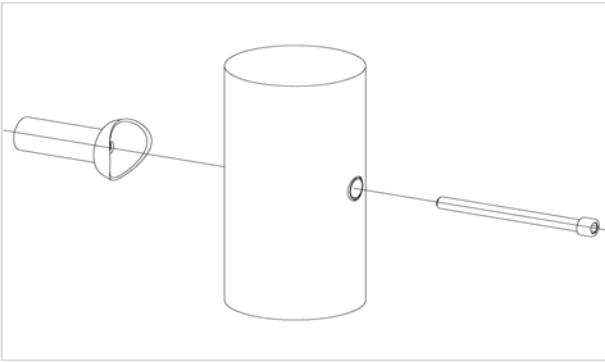
Order:

1292523

Location:

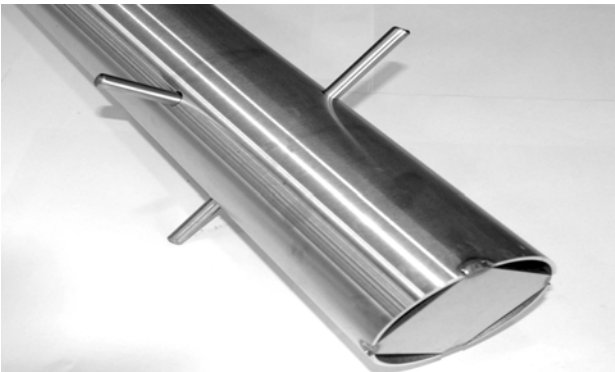
Building Project:

4 x SFES1210001 Standard bolting of add-on pieces intended to connect ES120-add-on pieces (except platforms) at support post



per SC	Total	K&K-Item	Marking
1 x	4 x	2030168	Cheese head screw M12x140 with pin Intended to connect ES120-add-on pieces (except platforms) at support post

2 x SFES1270001 Reinforcing steel for stainless steel post



per SC	Total	K&K-Item	Marking
2 x	4 x	2030199	Reinforcing steel ES120 Ø 12 x 250 1.4301

1 x SFWZ0000009 Hexagon insert socket driver 10mm 1/2" with borehole for Pin



per SC	Total	K&K-Item	Marking
1 x	1 x	2030170	Hexagon insert socket driver 10 mm 1/2" with drill hole for Pin

1 x SFWZ0000014 Lubricating metal, bag (4g)



per SC	Total	K&K-Item	Marking
1 x	1 x	5300024	lubricating metal 4g