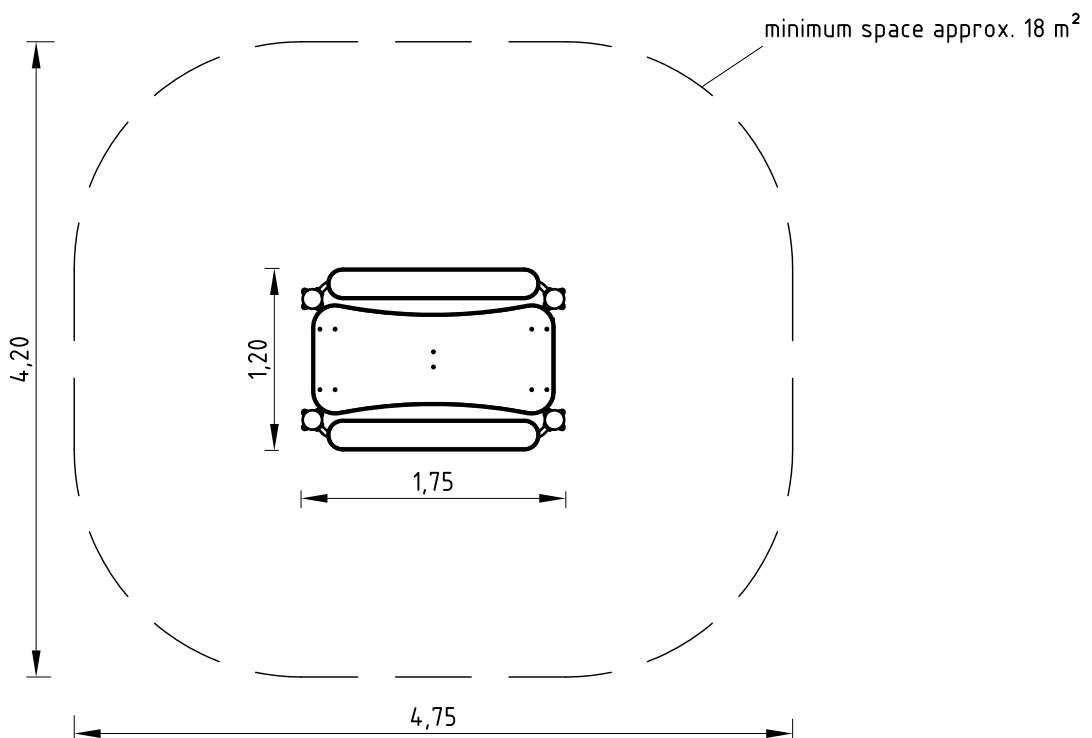
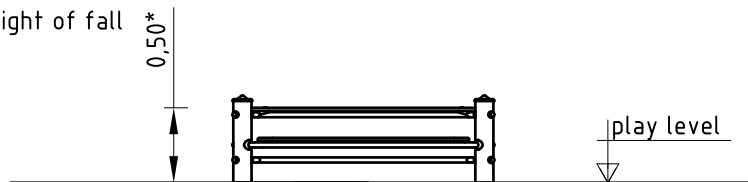
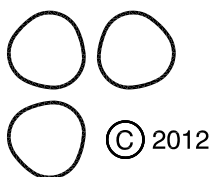


*max. free height of fall



1. Choose a location for the pre-assembled device considering the (minimum) space requirement.
2. According to maintenance instructions, check all screw connections after 4-5 weeks and retighten, if necessary.

Please ensure that all special tools supplied (e.g. Allen key for secured Allen screws etc.) and all specific documents which are or may be useful for safety management acc. to DIN EN 1176-7 (e.g. invoice, delivery note, order acknowledgement, installation instructions, maintenance instructions) are forwarded to the persons responsible.



Kaiser & Kühne
 Freizeitgeräte GmbH
 D-27324 Eystrup
 Telefon 04254 / 93150
 Telefax 04254 / 931524

Date/Name	Item-No.
Gez. 14.11.2012/EB	0-60144-300
Ges.	Designation
Scale	Drawing
1:50/A4	Installation